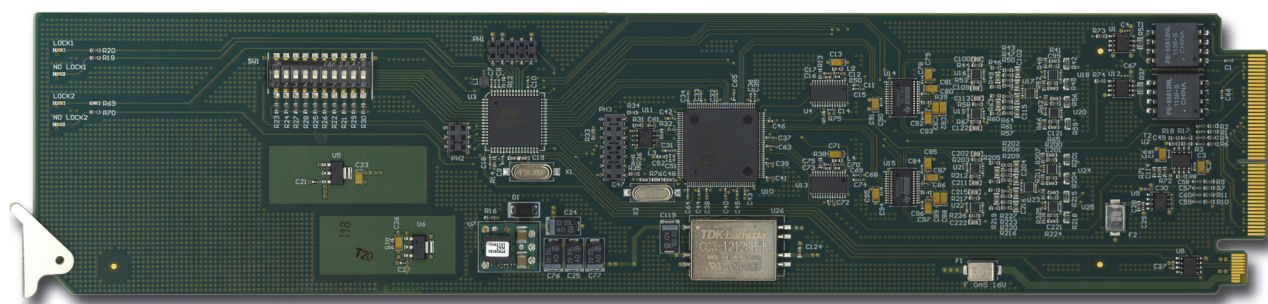


DAC-8418-A

AES to Quad Analog Audio Converter User Manual



DAC-8418-A User Manual

- Ross Part Number: 8418ADR-004-01
- Release Date: May 24, 2012.

The information in this manual is subject to change without notice or obligation.

Copyright

© 2012 Ross Video Limited. All rights reserved.

Contents of this publication may not be reproduced in any form without the written permission of Ross Video Limited. Reproduction or reverse engineering of copyrighted software is prohibited.

Patents


This product is protected by the following US Patents: 4,205,346; 5,115,314; 5,280,346; 5,561,404; 7,304,886; 7,508,455; 7,602,446; 7,834,886; 7,914,332. This product is protected by the following Canadian Patents: 2039277; 1237518; 1127289. Other patents pending.

Notice

The material in this manual is furnished for informational use only. It is subject to change without notice and should not be construed as commitment by Ross Video Limited. Ross Video Limited assumes no responsibility or liability for errors or inaccuracies that may appear in this manual.

Trademarks



-  is a registered trademark of Ross Video Limited.
- Ross, ROSS, ROSS®, and MLE are registered trademarks of Ross Video Limited.
- openGear® is a registered trademark of Ross Video Limited.
- DashBoard Control System™ is a trademark of Ross Video Limited.
- Dolby® is a registered trademark of Dolby Laboratories.
- All other product names and any registered and unregistered trademarks mentioned in this manual are used for identification purposes only and remain the exclusive property of their respective owners.

Important Regulatory and Safety Notices to Service Personnel

Before using this product and any associated equipment, refer to the “**Important Safety Instructions**” listed below to avoid personnel injury and to prevent product damage.

Product may require specific equipment, and/or installation procedures to be carried out to satisfy certain regulatory compliance requirements. Notices have been included in this publication to call attention to these specific requirements.

Symbol Meanings



This symbol on the equipment refers you to important operating and maintenance (servicing) instructions within the Product Manual Documentation. Failure to heed this information may present a major risk of damage to persons or equipment.



Warning — The symbol with the word “**Warning**” within the equipment manual indicates a potentially hazardous situation, which, if not avoided, could result in death or serious injury.



Caution — The symbol with the word “**Caution**” within the equipment manual indicates a potentially hazardous situation, which, if not avoided, may result in minor or moderate injury. It may also be used to alert against unsafe practices.



Notice — The symbol with the word “**Notice**” within the equipment manual indicates a potentially hazardous situation, which, if not avoided, may result in major or minor equipment damage or a situation which could place the equipment in a non-compliant operating state.



ESD Susceptibility — This symbol is used to alert the user that an electrical or electronic device or assembly is susceptible to damage from an ESD event.

Important Safety Instructions



Caution — This product is intended to be a component product of the DFR-8300 series frame. Refer to the DFR-8300 Series Frame User Manual for important safety instructions regarding the proper installation and safe operation of the frame as well as its component products.



Warning — Certain parts of this equipment namely the power supply area still present a safety hazard, with the power switch in the OFF position. To avoid electrical shock, disconnect all A/C power cords from the chassis’ rear appliance connectors before servicing this area.



Warning — Service barriers within this product are intended to protect the operator and service personnel from hazardous voltages. For continued safety, replace all barriers after any servicing.

This product contains safety critical parts, which if incorrectly replaced may present a risk of fire or electrical shock. Components contained within the product’s power supplies and power supply area, are not intended to be customer serviced and should be returned to the factory for repair. To reduce the risk of fire, replacement fuses must be the same time and rating. Only use attachments/accessories specified by the manufacturer.

EMC Notices

United States of America FCC Part 15

This equipment has been tested and found to comply with the limits for a class A Digital device, pursuant to part 15 of the FCC Rules. These limits are designed to provide reasonable protection against harmful interference when the equipment is operated in a commercial environment. This equipment generates, uses, and can radiate radio frequency energy and, if not installed and used in accordance with the instruction manual, may cause harmful interference to radio communications. Operation of this equipment in a residential area is likely to cause harmful interference in which case the user will be required to correct the interference at their own expense.



Notice — *Changes or modifications to this equipment not expressly approved by Ross Video Limited could void the user's authority to operate this equipment.*

CANADA

This Class "A" digital apparatus complies with Canadian ICES-003.

Cet appareil numérique de la classe "A" est conforme à la norme NMB-003 du Canada.

EUROPE

This equipment is in compliance with the essential requirements and other relevant provisions of CE Directive 93/68/EEC.

INTERNATIONAL

This equipment has been tested to **CISPR 22:1997** along with amendments **A1:2000** and **A2:2002**, and found to comply with the limits for a Class A Digital device.



Notice — *This is a Class A product. In domestic environments, this product may cause radio interference, in which case the user may have to take adequate measures.*

Maintenance/User Serviceable Parts

Routine maintenance to this openGear product is not required. This product contains no user serviceable parts. If the module does not appear to be working properly, please contact Technical Support using the numbers listed under the "Contact Us" section on the last page of this manual. All openGear products are covered by a generous 5-year warranty and will be repaired without charge for materials or labor within this period. See the "Warranty and Repair Policy" section in this manual for details.

Environmental Information

The equipment that you purchased required the extraction and use of natural resources for its production. It may contain hazardous substances that could impact health and the environment.

To avoid the potential release of those substances into the environment and to diminish the need for the extraction of natural resources, Ross Video encourages you to use the appropriate take-back systems. These systems will reuse or recycle most of the materials from your end-of-life equipment in an environmentally friendly and health conscious manner.

The crossed out wheelee bin symbol invites you to use these systems.



If you need more information on the collection, reuse, and recycling systems, please contact your local or regional waste administration.

You can also contact Ross Video for more information on the environmental performance of our products.

Company Address



Ross Video Limited

8 John Street
Iroquois, Ontario, K0E 1K0
Canada

Ross Video Incorporated

P.O. Box 880
Ogdensburg, New York
USA 13669-0880

General Business Office: (+1) 613 • 652 • 4886

Fax: (+1) 613 • 652 • 4425

Technical Support: (+1) 613 • 652 • 4886

After Hours Emergency: (+1) 613 • 349 • 0006

E-mail (Technical Support): techsupport@rossvideo.com

E-mail (General Information): solutions@rossvideo.com

Website: <http://www.rossvideo.com>

Contents

- Introduction 1**
 - Overview..... 1-2
 - Features..... 1-2
 - Functional Block Diagram..... 1-3
 - User Interfaces 1-4
 - DashBoard Control System™ 1-4
 - Card-edge Controls..... 1-4
 - Documentation Terms and Conventions..... 1-5

- Installation 2**
 - Before You Begin 2-2
 - Static Discharge..... 2-2
 - Unpacking..... 2-2
 - Installing the DAC-8418-A 2-3
 - Rear Modules for the DAC-8418-A 2-3
 - Installing a Rear Module 2-3
 - Installing the DAC-8418-A 2-3
 - Cabling for the DAC-8418-A 2-5
 - DFR-8310 Series Frame Cabling Overview..... 2-5
 - DFR-8321 Series Frame Cabling Overview..... 2-5
 - Software Upgrades for the DAC-8418-A 2-6

- User Controls 3**
 - Card Overview 3-2
 - Configuring the DIP Switches 3-4
 - Control and Monitoring Features..... 3-6
 - Status LEDs on the DAC-8418-A 3-6

- DashBoard Menus 4**
 - Status Tabs..... 4-2
 - Status Tab 4-2
 - Product Tab 4-2
 - DAC Output Tabs 4-3

- Specifications 5**
 - Technical Specifications..... 5-2

- Service Information 6**
 - Troubleshooting Checklist..... 6-2
 - Warranty and Repair Policy..... 6-3

Introduction

In This Chapter

This chapter contains the following sections:

- Overview
- Functional Block Diagram
- User Interfaces
- Documentation Terms and Conventions

A Word of Thanks

Congratulations on choosing an openGear DAC-8418-A AES to Quad Analog Audio Converter. Your DAC-8418-A is part of a full line of Digital Products within the openGear Terminal Equipment family of products, backed by Ross Video's experience in engineering and design expertise since 1974.

You will be pleased at how easily your new DAC-8418-A fits into your overall working environment. Equally pleasing is the product quality, reliability and functionality. Thank you for joining the group of worldwide satisfied Ross Video customers!

Should you have a question pertaining to the installation or operation of your DAC-8418-A, please contact us at the numbers listed on the back cover of this manual. Our technical support staff is always available for consultation, training, or service.

Overview

The DAC-8418-A AES to Quad Analog Audio Converter is a broadcast quality modular product used to convert two channels of 24-bit, unbalanced AES-3id signals to four channels of analog audio. The DAC-8418-A supports audio sampling frequencies from 32kHz to 96kHz.

It converts the two incoming AES/EBU digital audio signals to two stereo analog audio signals using 24bit conversion technology. Cable equalization and reclocking techniques enable the DAC-8418-A to recover the incoming digital audio signals reliably. The DAC-8418-A provides 2 analog outputs for each AES/EBU input and 2 reclocked copies of each AES/EBU input.

Features

The following features make the DAC-8418-A best solution for AES to analog audio conversion:

- 4 Channel Audio Conversion while providing AES/EBU signal distribution
- Cable equalization and data reclocking on the incoming AES/EBU signals
- Supports audio sampling frequencies from 32kHz to 96kHz
- 24-bit technology provides the highest quality signal conversion
- 2 Reclocked output copies of each AES/EBU input
- 75ohm unbalanced AES-3id I/O
- Balanced Analog Audio I/O
- Provides level control of output signals
- 5-year transferable warranty

Functional Block Diagram

This section provides a functional block diagram that outlines the workflow of the DAC-8418-A.

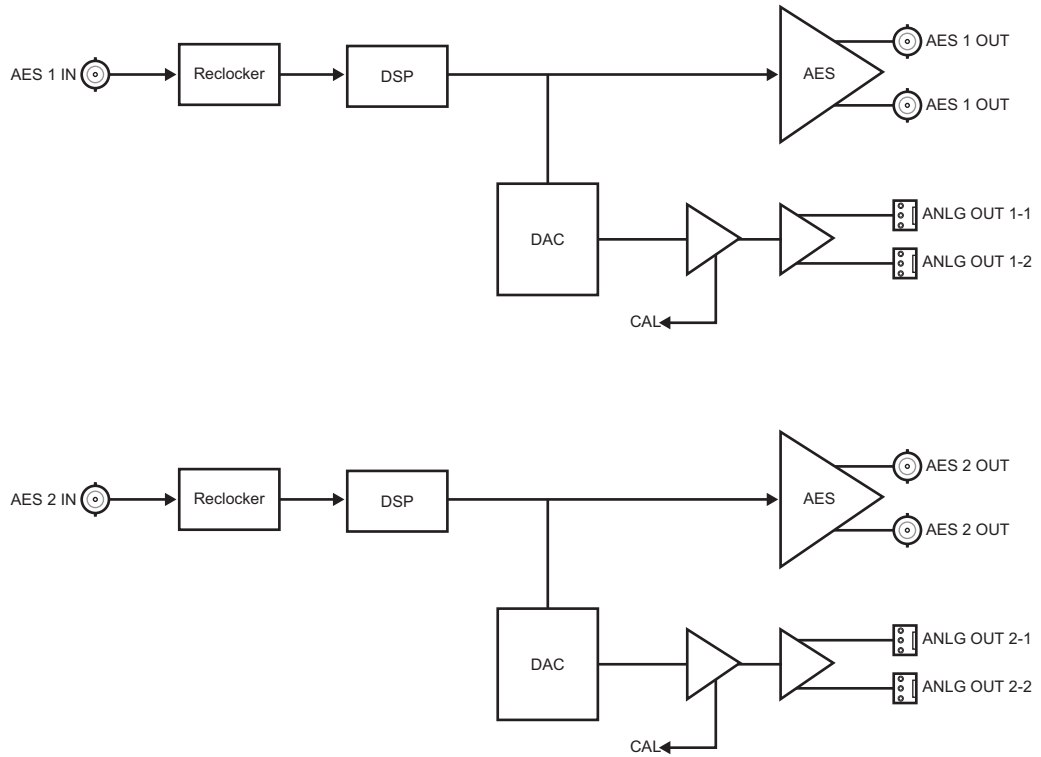


Figure 1.1 DAC-8418-A — Simplified Block Diagram

User Interfaces

The DAC-8418-A includes the following interfaces for control and monitoring for your card.

DashBoard Control System™

The DashBoard Control System™ enables you to monitor and control openGear frames and cards from a computer. DashBoard communicates with other cards in the DFR-8300 series frame through the Network Controller Card. The DashBoard Control System software and manual are available for download from our website.

For More Information...

- on the DAC-8418-A menus in DashBoard, refer to the chapter “**DashBoard Menus**” on page 4-1.
- on using DashBoard, refer to the *DashBoard User Manual*.

Card-edge Controls

The front-edge of the DAC-8418-A features LED indicators for the power, video input status and communication activity.

For More Information...

- on the card-edge controls and LEDs, refer to the chapter “**User Controls**” on page 3-1.

Documentation Terms and Conventions

The following terms and conventions are used throughout this manual:

- “**Board**”, and “**Card**” refer to openGear terminal devices within openGear frames, including all components and switches.
- “**DashBoard**” refers to the DashBoard Control System™.
- “**DFR-8300 series frame**” refers to all versions of the 10-slot (DFR-8310 series) and 20-slot (DFR-8321 series) frames and any available options unless otherwise noted.
- “**Frame**” refers to DFR-8300 series frame that houses the DAC-8418-A card, as well as any openGear frames.
- “**Operator**” and “**User**” refer to the person who uses DAC-8418-A.
- “**System**” and “**Video system**” refer to the mix of interconnected production and terminal equipment in your environment.
- The “**Operating Tips**” and “**Note**” boxes are used throughout this manual to provide additional user information.

Installation

In This Chapter

This chapter provides instructions for installing the Rear Module(s) for the DAC-8418-A, installing the card into the frame, cabling details, and updating the card software.

The following topics are discussed:

- Before You Begin
- Installing the DAC-8418-A
- Cabling for the DAC-8418-A
- Software Upgrades for the DAC-8418-A

Before You Begin

Before proceeding with the instructions in this chapter, ensure that your DFR-8300 series frame is properly installed according to the instructions in the *DFR-8300 Series User Manual*.

Static Discharge

Whenever handling the DAC-8418-A and other related equipment, please observe all static discharge precautions as described in the note:



ESD Susceptibility — *Static discharge can cause serious damage to sensitive semiconductor devices. Avoid handling circuit boards in high static environments such as carpeted areas and when synthetic fiber clothing is worn. Always exercise proper grounding precautions when working on circuit boards and related equipment.*

Unpacking

Unpack each DAC-8418-A you received from the shipping container and ensure that all items are included. If any items are missing or damaged, contact your sales representative or Ross Video directly.

Installing the DAC-8418-A

This section outlines how to install a Rear Module in a DFR-8300 series frame. The same procedure applies regardless of the frame or card type. However, the specific Rear Module you need to install depends on the frame you are using.

Rear Modules for the DAC-8418-A

The Rear Module for the DAC-8418-A depends on the openGear frame you are installing the card into.

- **DFR-8310 series frame** — When installing the DAC-8418-A in the DFR-8310 series frames, the **8310AR-036** Rear Module (R1A-8418) is required. Note that the DAC-8418-A is not compatible with the DFR-8310-BNC frames.
- **DFR-8321 series frame** — When installing the DAC-8418-A in the DFR-8321 series frames, the **8320AR-036** Full Rear Module (R2A-8418) is required.

Installing a Rear Module

If the Rear Module is already installed, proceed to the section “**Installing the DAC-8418-A**” on page 2-3.

Use the following procedure to install a Rear Module in your DFR-8300 series frame:

1. Locate the card frame slots on the rear of the frame.
2. Remove the Blank Plate from the slot you have chosen for the DAC-8418-A installation. If there is no Blank Plate installed, proceed to the next step.
3. Install the bottom of the Rear Module in the **Module Seating Slot** at the base of the frame’s back plane.
4. Align the top hole of the Rear Module with the screw on the top-edge of the frame back plane.
5. Using a Phillips screwdriver and the supplied screw, fasten the Rear Module to the back plane of the frame. Do not over tighten.
6. Ensure proper frame cooling and ventilation by having all rear frame slots covered with Rear Modules or Blank Plates.

Installing the DAC-8418-A

This section outlines how to install the DAC-8418-A in a DFR-8300 series frame. If the DAC-8418-A is to be installed in any compatible frame other than a Ross Video product, refer to the frame manufacturer's manual for specific instructions.

Use the following procedure to install the DAC-8418-A in a DFR-8300 series frame:

1. Locate the Rear Module you installed in the procedure “**Installing a Rear Module**” on page 2-3.



Note — When using the DAC-8418-A with the **8320AR-036** Rear Module, ensure that the card is installed in an even numbered slot (2, 4, 6 etc.) for a maximum of 10 cards in the DFR-8321 series frames.

2. Hold the card by the edges and carefully align the card-edges with the slots in the frame.

3. Fully insert the card into the frame until the rear connection plus is properly seated in the Rear Module.
4. Verify whether your Rear Module Label is self-adhesive by checking the back of the label for a thin wax sheet. You must remove the wax sheet before affixing the label.
5. Affix the supplied Rear Module Label to the BNC area of the Rear Module.

Cabling for the DAC-8418-A

This section provides information for connecting cables to the installed Rear Modules on the DFR-8300 series frames. Connect the input and output cables according to the following sections.

DFR-8310 Series Frame Cabling Overview

In the DFR-8310 series frames, the DAC-8418-A is used with the following Rear Module:

- **8310AR-036** Rear Module — Each module occupies one slot and accommodates one card. This rear module provides two AES inputs, four AES outputs, and two stereo pair outputs. (**Figure 2.1**)

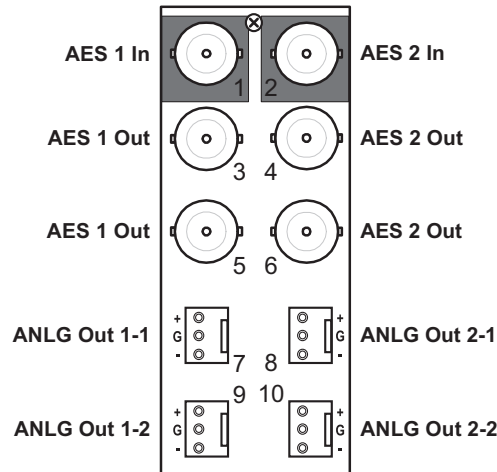


Figure 2.1 Cable Connections for the 8310AR-036 and 8320AR-036 Rear Modules

DFR-8321 Series Frame Cabling Overview

In the DFR-8321 series frames, the DAC-8418-A is used with the following Rear Module:

- **8320AR-036** Full Rear Module — Each module occupies two slots and accommodates one card. This rear module provides two AES inputs, four AES outputs, and two stereo pair outputs. (**Figure 2.1**)

Software Upgrades for the DAC-8418-A

The card can be upgraded in the field via the MFC-8300 series Network Controller card in your frame.



Note — *DashBoard version 3.0.0 or higher is required for this procedure.*

To upgrade the software on a card

1. Contact Ross Technical Support for the latest software version file.
2. Display the **Device View** of the card by double-clicking its status indicator in the **Basic Tree View**.
3. From the **Device View**, click **Upload** to display the **Select file for upload** dialog.
4. Navigate to the *.bin upload file you wish to upload.
5. Click **Open**.
6. If you are upgrading a single card, click **Finish** to display the **Uploading to Selected Devices** dialog. Proceed to step 8.
7. If you are upgrading multiple cards:
 - Click **Next >** to display the **Select Destination** menu. This menu provides a list of the compatible cards based on the card selected in step 2.
 - Specify the card(s) to upload the file to by selecting the check box(es) for the cards you wish to upload the file to.
 - Verify that the card(s) you wish to upload the file to. The **Error/Warning** fields indicate any errors, such as incompatible software or card type mismatch.
 - Click **Finish** to display the **Uploading to Selected Devices** dialog.
8. Monitor the upgrade.
 - The **Uploading to Selected Devices** dialog enables you to monitor the upgrade process.
 - The card(s) are automatically re-booted and are temporarily taken offline during the re-boot process. The process is complete once the status indicators for the **Card State** and **Connection** fields return to their previous status.

User Controls

In This Chapter

This chapter provides a general overview of the user controls available on the DAC-8418-A.

The following topics are discussed:

- Card Overview
- Control and Monitoring Features

Card Overview

This section provides a general overview of the DAC-8418-A components. For information on the LEDs available on the card-edge, refer to the section “Control and Monitoring Features” on page 3-6.

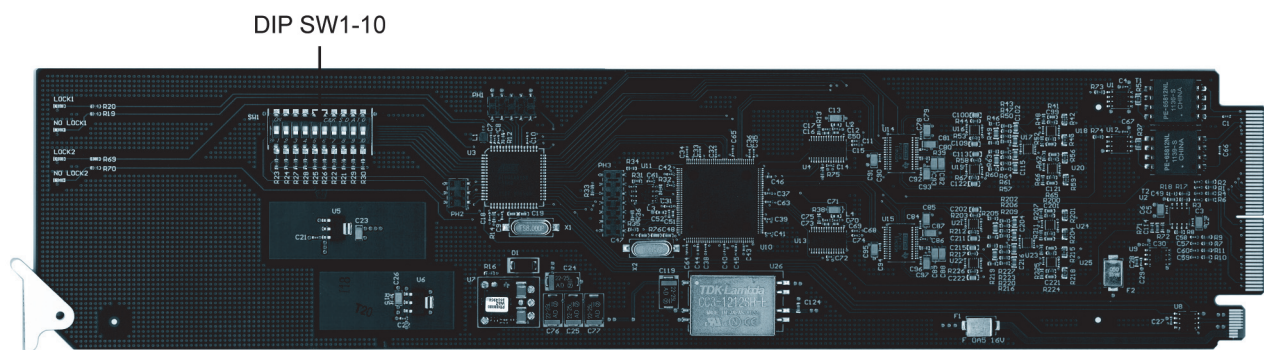


Figure 3.1 DAC-8418-A — Components

SW1 — Remote Control

Use **SW1** to disable remote control of the DAC-8418-A from DashBoard.

Set **SW1** as follows:

- **ON** — Select this setting to disable remote control from DashBoard. The parameters and settings cannot be changed via DashBoard and must be changed using the card-edge controls. You can still monitor the status of the card using DashBoard.
- **OFF** — Select this setting to control the DAC-8418-A exclusively from DashBoard. The card-edge controls are ignored.

SW2 — DIP Switch Control

Use **SW2** to determine whether DIP Switch settings are applied or ignored.

Set **SW2** as follows:

- **ON** — DIP Switch status is reported in DashBoard, and DIP Switch settings are applied. Any parameter adjustments made in DashBoard are ignored.
- **OFF** — DIP Switch status is reported in DashBoard, however DIP Switch settings are ignored. Parameter adjustments made in DashBoard are applied.

SW3

SW3 is used for factory service only. Do not use **SW3** unless instructed to do so by Ross Technical Support personnel.

SW4

SW4 is used for factory service only. Do not use **SW4** unless instructed to do so by Ross Technical Support personnel.

SW5, SW6 — Output Mode Selection 1

SW5 and **SW6** are used in conjunction to set the output mode of the first audio converter. Refer to the section “Setting the Output Modes” on page 3-4 for details.

SW7, SW8 — Output Mode Selection 2

SW7 and **SW8** are used in conjunction to set the output mode of the second audio converter. Refer to the section “**Setting the Output Modes**” on page 3-4 for details.

SW9, SW10 — Output Level Selection

SW9 and **SW10** are used in conjunction to calibrate the output level (+4dB). Refer to the section “**Setting the Nominal Output Level**” on page 3-4 for details.

Configuring the DIP Switches

This section provides a brief summary of the DIP Switches of the DAC-8418-A. Refer to **Figure 3.1** for the DIP Switch locations. **Figure 3.2** shows all the DIP Switches in the **OFF** position.

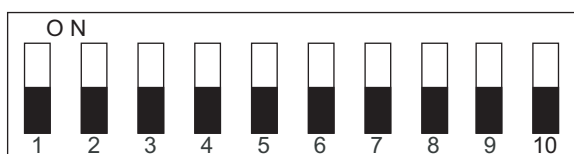


Figure 3.2 DIP Switches — OFF Position

Enabling Card-edge Control

Ensure that **SW1** is set to **ON** and **SW2** is set to **ON** if you are going to use the card-edge DIP Switches to change settings on the card. You can still monitor the card status in DashBoard.

Setting the Output Modes

Use **SW5** and **SW6** in conjunction to set the output mode of the first audio converter. **Table 3.1** lists the combinations of DIP Switch settings for **SW5** and **SW6**.

Table 3.1 Setting the Output Mode — Converter 1

SW5	SW6	Mode Selected
OFF	OFF	Stereo
OFF	ON	Mono
ON	OFF	Left Only
ON	ON	Right Only

Use **SW7** and **SW8** in conjunction to set the output mode of the second audio converter. **Table 3.2** lists the combinations of DIP Switch settings for **SW7** and **SW8**.

Table 3.2 Setting the Output Mode — Converter 2

SW7	SW8	Mode Selected
OFF	OFF	Stereo
OFF	ON	Mono
ON	OFF	Left Only
ON	ON	Right Only

Setting the Nominal Output Level

Use **SW9** and **SW10** in conjunction to select the analog output level of the DAC-8418-A. **Table 3.3** lists the combinations of DIP Switch settings for **SW9** and **SW10**.

Table 3.3 Nominal Output Level

SW9	SW10	Level (dB)
OFF	OFF	-20
OFF	ON	-18
ON	OFF	-16
ON	ON	-12

Control and Monitoring Features

This section provides information on the LEDs for the DAC-8418-A. Refer to **Figure 3.3** for the location of the LEDs.

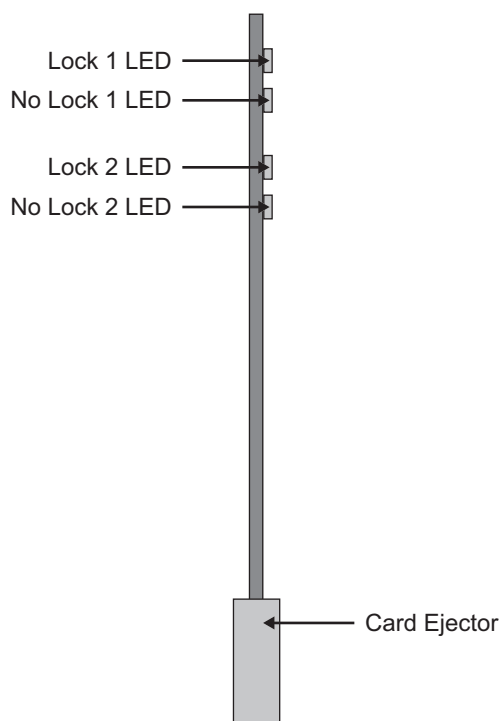


Figure 3.3 DAC-8418-A Card-edge LEDs

Status LEDs on the DAC-8418-A

The front-edge of the DAC-8418-A has LED indicators for communication activity. Basic LED displays and descriptions are provided in **Table 3.4**.

Table 3.4 LEDs on the DAC-8418-A

LED	Color	Display and Description
Lock 1	Green	When lit, this LED indicates a valid AES/EBU input signal on BNC 1.
No Lock 1	Red	When lit, this LED indicates the absence of a valid AES/EBU input signal on BNC 1.
Lock 2	Green	When lit, this LED indicates a valid AES/EBU input signal on BNC 2.
No Lock 2	Red	When lit, this LED indicates the absence of a valid AES/EBU input signal on BNC 2.

DashBoard Menus

In This Chapter

This chapter briefly summarize the menus, items, and parameters available from the DashBoard Control System™ for the DAC-8418-A. Parameters marked with an asterisk (*) are the factory default values.

The following topics are discussed:

- Status Tabs
- DAC Output Tabs

Status Tabs

This section summarizes the read-only information displayed in the **Status** and **Product** tabs.

Status Tab

Table 4.1 summarizes the read-only information displayed in the **Status** tab. The fields in the **Status** tab vary in severity from green (valid), yellow (caution), to red (alarm). DashBoard reports the most severe alarm for a single field.

Table 4.1 Status Tab Items

Tab	Item	Parameters	Description
Status (Read-only)	AES Input Audio # Status	Not Locked (Red)	Indicates the presence of an input
		Locked (Green)	

Product Tab

Table 4.2 summarizes the read-only information displayed in the **Product** tab.

Table 4.2 Product Tab Items

Tab	Item	Parameters	Description
Product (Read-only)	Card Name	AES to Quad Analog Audio Converter	
	Product	DAC-8418-A	
	Supplier	Ross Video Ltd.	
	Serial Number	#	Indicates the serial number of the board
	Software Rev	##.##	Indicates the software version

DAC Output Tabs

Table 4.3 summarizes the **DAC Output** options available in DashBoard. Note that each DAC Output has a specific tab.

Table 4.3 DAC Output Menu Items

Tab	Item	Parameters	Description
DAC Output #	Mode	Stereo	Channel A and B are summed together <ul style="list-style-type: none"> • Use the CHA Trim Control to alter the gain of the Channel A input • Use the CHB Trim Control to alter the gain of the Channel B input • Note that the STEREO Gain will adjust the output after the channels are summed.
		Mono	Channel A and B are independent. <ul style="list-style-type: none"> • Use the CHA Trim Control to alter the gain of Channel A input • Use the CHB Trim Control to alter the gain of Channel B input • Note that the STEREO Gain will adjust the output of both channels.
		L only	Specifies Channel A as the output on both channels. <ul style="list-style-type: none"> • Use the CHA Trim Control to alter the output gain • The CHB Trim Control has no effect on the output • Note that the STEREO Gain will adjust the output Channel A only.
		R only	Specifies Channel B as the output on both channels. <ul style="list-style-type: none"> • The CHA Trim Control has no effect on the output • Use the CHB Trim Control to alter the output gain • Note that the STEREO Gain will adjust the output Channel B only.
	STEREO Gain Control	0 to 100	Adjusts the audio gain for the specified DAC
	CH# Trim Control (dB)	-15 to 15	Calibrates the analog output level of the card. Note that this setting overrides the value set by SW9 and SW10 .

Specifications

In This Chapter

This chapter provides technical specifications on the DAC-8418-A. Note that technical specifications are subject to change without notice.

The following topics are discussed:

- Technical Specifications

Technical Specifications

This section provides technical information for the DAC-8418-A.

Table 5.1 DAC-8418-A Technical Specifications

Category	Parameter	Specification
AES/EBU Digital Inputs	Number of Inputs	2 AES
	Resolution	24Bit
	Input Level	0.2-7V p-p
	Impedance	75ohm
	Sampling Frequency Range	32kHz to 96kHz
AES/EBU Digital Output	Resolution	24Bit
	Signal Level	1.0Vp-p \pm 10%
	Return Loss	-25dB
	Impedance	75ohm unbalanced
	Sampling Frequency Range	32kHz to 96kHz
	Jitter	<5ns
Analog (fs=48kHz, 0dBFS = +24dBu)	Maximum Output Level	+24dBu
	Frequency Response	0.2dB, 20Hz to 20kHz
	Noise (unweighted)	-86dBu, 20Hz to 20kHz
	THD+N	<0.02%
	Stereo Separation	90dB, 20Hz to 20kHz
	Output Impedance	60ohm balanced
Power	Maximum Power Consumption	<7.5W

Service Information

In This Chapter

This chapter contains the following sections:

- Troubleshooting Checklist
- Warranty and Repair Policy

Troubleshooting Checklist

Routine maintenance to this openGear product is not required. In the event of problems with your DAC-8418-A, the following basic troubleshooting checklist may help identify the source of the problem. If the frame still does not appear to be working properly after checking all possible causes, please contact your openGear products distributor, or the Technical Support department at the numbers listed under the “**Contact Us**” section.

1. **Visual Review** — Performing a quick visual check may reveal many problems, such as connectors not properly seated or loose cables. Check the card, the frame, and any associated peripheral equipment for signs of trouble.
2. **Power Check** — Check the power indicator LED on the distribution frame front panel for the presence of power. If the power LED is not illuminated, verify that the power cable is connected to a power source and that power is available at the power main. Confirm that the power supplies are fully seated in their slots. If the power LED is still not illuminated, replace the power supply with one that is verified to work.
3. **Re-seat the Card in the Frame** — Eject the card and reinsert it in the frame.
4. **Check Control Settings** — Refer to the Installation and Operation sections of the manual and verify all user-adjustable component settings.
5. **Input Signal Status** — Verify that source equipment is operating correctly and that a valid signal is being supplied.
6. **Output Signal Path** — Verify that destination equipment is operating correctly and receiving a valid signal.
7. **Unit Exchange** — Exchanging a suspect unit with a unit that is known to be working correctly is an efficient method for localizing problems to individual units.

Warranty and Repair Policy

The DAC-8418-A is warranted to be free of any defect with respect to performance, quality, reliability, and workmanship for a period of FIVE (5) years from the date of shipment from our factory. In the event that your DAC-8418-A proves to be defective in any way during this warranty period, Ross Video Limited reserves the right to repair or replace this piece of equipment with a unit of equal or superior performance characteristics.

Should you find that this DAC-8418-A has failed after your warranty period has expired, we will repair your defective product should suitable replacement components be available. You, the owner, will bear any labor and/or part costs incurred in the repair or refurbishment of said equipment beyond the FIVE (5) year warranty period.

In no event shall Ross Video Limited be liable for direct, indirect, special, incidental, or consequential damages (including loss of profits) incurred by the use of this product. Implied warranties are expressly limited to the duration of this warranty.

This DAC-8418-A User Manual provides all pertinent information for the safe installation and operation of your openGear Product. Ross Video policy dictates that all repairs to the DAC-8418-A are to be conducted only by an authorized Ross Video Limited factory representative. Therefore, any unauthorized attempt to repair this product, by anyone other than an authorized Ross Video Limited factory representative, will automatically void the warranty. Please contact Ross Video Technical Support for more information.

In Case of Problems

Should any problem arise with your DAC-8418-A, please contact the Ross Video Technical Support Department. (Contact information is supplied at the end of this publication.)

A Return Material Authorization number (RMA) will be issued to you, as well as specific shipping instructions, should you wish our factory to repair your DAC-8418-A. If required, a temporary replacement frame will be made available at a nominal charge. Any shipping costs incurred will be the responsibility of you, the customer. All products shipped to you from Ross Video Limited will be shipped collect.

The Ross Video Technical Support Department will continue to provide advice on any product manufactured by Ross Video Limited, beyond the warranty period without charge, for the life of the equipment.

Contact Us

Contact our friendly and professional support representatives for the following:

- Name and address of your local dealer
- Product information and pricing
- Technical support
- Upcoming trade show information

Technical Support

Telephone: +1 613 • 652 • 4886
After Hours Emergency: +1 613 • 349 • 0006
Email: techsupport@rossvideo.com

General Information

Telephone: +1 613 • 652 • 4886
Fax: +1 613 • 652 • 4425
Email: solutions@rossvideo.com
Website: <http://www.rossvideo.com>

Visit Us

Visit our website for:

- Company information and news
- Related products and full product lines
- Online catalog
- Testimonials