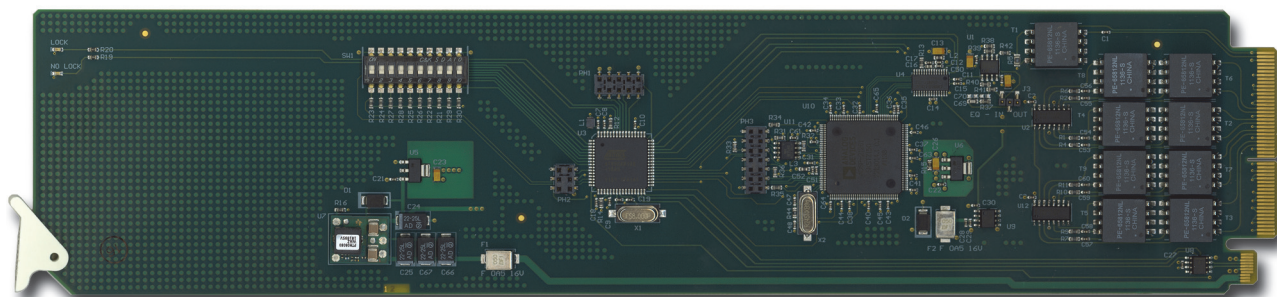


ADA-8402-B

AES/EBU Distribution Amplifier (110ohm)

User Manual



ADA-8402-B User Manual

- Ross Part Number: 8402BDR-004-02
- Release Date: August 6, 2013.

The information in this manual is subject to change without notice or obligation.

Copyright

© 2013 Ross Video Limited. All rights reserved.

This work is proprietary and confidential to Ross Video Limited, its subsidiaries and its other affiliated corporations and may not be copied, distributed, sold or otherwise used or relied upon without the express written permission of Ross Video Limited. Reproduction or reverse engineering of copyrighted software is prohibited.

Patents


This product is protected by the following US Patents: 4,205,346; 5,115,314; 5,280,346; 5,561,404; 7,304,886; 7,508,455; 7,602,446; 7,834,886; 7,914,332. This product is protected by the following Canadian Patents: 2039277; 1237518; 1127289. Other patents pending.

Notice

The material in this manual is furnished for informational use only. It is subject to change without notice and should not be construed as commitment by Ross Video Limited. Ross Video Limited assumes no responsibility or liability for errors or inaccuracies that may appear in this manual.

Trademarks



-  is a registered trademark of Ross Video Limited.
- Ross, ROSS, ROSS®, and MLE are registered trademarks of Ross Video Limited.
- openGear® is a registered trademark of Ross Video Limited.
- DashBoard Control System™ is a trademark of Ross Video Limited.
- Dolby® is a registered trademark of Dolby Laboratories.
- All other product names and any registered and unregistered trademarks mentioned in this manual are used for identification purposes only and remain the exclusive property of their respective owners.

Important Regulatory and Safety Notices to Service Personnel

Before using this product and any associated equipment, refer to the “**Important Safety Instructions**” listed below to avoid personnel injury and to prevent product damage.

Product may require specific equipment, and/or installation procedures to be carried out to satisfy certain regulatory compliance requirements. Notices have been included in this publication to call attention to these specific requirements.

Symbol Meanings



This symbol on the equipment refers you to important operating and maintenance (servicing) instructions within the Product Manual Documentation. Failure to heed this information may present a major risk of damage to persons or equipment.



Warning — The symbol with the word “**Warning**” within the equipment manual indicates a potentially hazardous situation, which, if not avoided, could result in death or serious injury.



Caution — The symbol with the word “**Caution**” within the equipment manual indicates a potentially hazardous situation, which, if not avoided, may result in minor or moderate injury. It may also be used to alert against unsafe practices.



Notice — The symbol with the word “**Notice**” within the equipment manual indicates a potentially hazardous situation, which, if not avoided, may result in major or minor equipment damage or a situation which could place the equipment in a non-compliant operating state.



ESD Susceptibility — This symbol is used to alert the user that an electrical or electronic device or assembly is susceptible to damage from an ESD event.

Important Safety Instructions



Caution — This product is intended to be a component product of the DFR-8300 and OG3-FR series frame. Refer to the DFR-8300 and OG3-FR Series Frame User Manual for important safety instructions regarding the proper installation and safe operation of the frame as well as its component products.



Warning — Certain parts of this equipment namely the power supply area still present a safety hazard, with the power switch in the OFF position. To avoid electrical shock, disconnect all A/C power cords from the chassis’ rear appliance connectors before servicing this area.



Warning — Service barriers within this product are intended to protect the operator and service personnel from hazardous voltages. For continued safety, replace all barriers after any servicing.

This product contains safety critical parts, which if incorrectly replaced may present a risk of fire or electrical shock. Components contained with the product’s power supplies and power supply area, are not intended to be customer serviced and should be returned to the factory for repair. To reduce the risk of fire, replacement fuses must be the same time and rating. Only use attachments/accessories specified by the manufacturer.

EMC Notices

United States of America FCC Part 15

This equipment has been tested and found to comply with the limits for a class A Digital device, pursuant to part 15 of the FCC Rules. These limits are designed to provide reasonable protection against harmful interference when the equipment is operated in a commercial environment. This equipment generates, uses, and can radiate radio frequency energy and, if not installed and used in accordance with the instruction manual, may cause harmful interference to radio communications. Operation of this equipment in a residential area is likely to cause harmful interference in which case the user will be required to correct the interference at their own expense.



Notice — *Changes or modifications to this equipment not expressly approved by Ross Video Limited could void the user's authority to operate this equipment.*

CANADA

This Class "A" digital apparatus complies with Canadian ICES-003.

Cet appareil numérique de la classe "A" est conforme à la norme NMB-003 du Canada.

EUROPE

This equipment is in compliance with the essential requirements and other relevant provisions of CE Directive 93/68/EEC.

INTERNATIONAL

This equipment has been tested to **CISPR 22:1997** along with amendments **A1:2000** and **A2:2002**, and found to comply with the limits for a Class A Digital device.



Notice — *This is a Class A product. In domestic environments, this product may cause radio interference, in which case the user may have to take adequate measures.*

Maintenance/User Serviceable Parts

Routine maintenance to this openGear product is not required. This product contains no user serviceable parts. If the module does not appear to be working properly, please contact Technical Support using the numbers listed under the "Contact Us" section on the last page of this manual. All openGear products are covered by a generous 5-year warranty and will be repaired without charge for materials or labor within this period. See the "Warranty and Repair Policy" section in this manual for details.

Environmental Information

The equipment that you purchased required the extraction and use of natural resources for its production. It may contain hazardous substances that could impact health and the environment.

To avoid the potential release of those substances into the environment and to diminish the need for the extraction of natural resources, Ross Video encourages you to use the appropriate take-back systems. These systems will reuse or recycle most of the materials from your end-of-life equipment in an environmentally friendly and health conscious manner.

The crossed out wheelee bin symbol invites you to use these systems.



If you need more information on the collection, resuse, and recycling systems, please contact your local or regional waste administration.

You can also contact Ross Video for more information on the environmental performance of our products.

Company Address



Ross Video Limited

8 John Street
Iroquois, Ontario, K0E 1K0
Canada

Ross Video Incorporated

P.O. Box 880
Ogdensburg, New York
USA 13669-0880

General Business Office: (+1) 613 • 652 • 4886

Fax: (+1) 613 • 652 • 4425

Technical Support: (+1) 613 • 652 • 4886

After Hours Emergency: (+1) 613 • 349 • 0006

E-mail (Technical Support): techsupport@rossvideo.com

E-mail (General Information): solutions@rossvideo.com

Website: <http://www.rossvideo.com>

Contents

- Introduction 1**
 - Overview..... 1-2
 - Features..... 1-2
 - Functional Block Diagrams 1-3
 - User Interfaces 1-4
 - DashBoard Control System™ 1-4
 - Card-edge Controls..... 1-4
 - Documentation Terms and Conventions..... 1-5

- Installation 2**
 - Before You Begin 2-2
 - Static Discharge..... 2-2
 - Unpacking..... 2-2
 - Installing the ADA-8402-B 2-3
 - Rear Modules for the ADA-8402-B 2-3
 - Installing a Rear Module 2-3
 - Installing the ADA-8402-B 2-4
 - Cabling for the ADA-8402-B 2-5
 - DFR-8310 Series Frame Cabling Overview..... 2-5
 - DFR-8321 and OG3-FR Series Frame Cabling Overview 2-5
 - Software Upgrades..... 2-6

- User Controls 3**
 - Card Overview 3-2
 - Using the DIP Switches 3-3
 - Overview 3-3
 - Configuring the DIP Switches..... 3-3
 - Control and Monitoring Features..... 3-6
 - Status and Selection LEDs on the ADA-8402-B 3-6

- DashBoard Menus 4**
 - Status Tabs..... 4-2
 - Status Tab 4-2
 - Product Tab 4-2
 - Settings Tab 4-3

- Specifications 5**
 - Technical Specifications..... 5-2

- Service Information 6**
 - Troubleshooting Checklist..... 6-2
 - Warranty and Repair Policy..... 6-3

Introduction

In This Chapter

This chapter contains the following sections:

- Overview
- Functional Block Diagrams
- User Interfaces
- Documentation Terms and Conventions

A Word of Thanks

Congratulations on choosing an openGear ADA-8402-B AES/EBU Distribution Amplifier (110ohm). Your ADA-8402-B is part of a full line of products within the openGear Terminal Equipment family of products, backed by Ross Video's experience in engineering and design expertise since 1974.

You will be pleased at how easily your new ADA-8402-B fits into your overall working environment. Equally pleasing is the product quality, reliability and functionality. Thank you for joining the group of worldwide satisfied Ross Video customers!

Should you have a question pertaining to the installation or operation of your ADA-8402-B, please contact us at the numbers listed on the back cover of this manual. Our technical support staff is always available for consultation, training, or service.

Overview

The ADA-8402-B is an AES/EBU distribution amplifier designed for broadcast use. It provides eight copies of the incoming balanced AES3 signal when used with the 8310AR-042 or 8320AR-042 Full Rear Modules or four copies of the incoming signal when used with the 8320AR-043 Split Rear Module. The ADA-8402-B supports audio sampling frequencies from 32kHz to 96kHz. Cable equalization and reclocking techniques enable the ADA-8402-B to recover the incoming digital audio signal reliably.

The ADA-8402-B also includes built-in loudness measurement. The card is capable of reading the ITU1770 LKFS Audio Measurements and displaying the measurement in DashBoard.

The 8320AR-043 high density split rear module can accommodate up to 2x ADA-8402-B cards, each configured as a 1x4 DA, accommodating up to 20 channels of distribution per 2RU frame.

Features

The following features make the ADA-8402-B the best solution for distributing digital audio signals:

- Operates as a:
 - › 1x8 AES distribution amplifier (8310AR-042 or 8320AR-042 full rear modules) or
 - › 1x4 (high density) AES distribution amplifier (8320AR-043 split rear module)
- 110ohm balanced AES3 I/O
- Ideal for distributing Dolby® E and Dolby® Digital signals
- Reports ITU1770 LKFS Audio Measurements in DashBoard
- Cable equalization and data reclocking on the incoming AES/EBU signal
- Supports audio sampling frequencies from 32kHz to 96kHz
- Provides level matching and level control of output signals
- Higher density with up to 20 cards per frame using the 8320AR-043 Split Rear Modules
- Fits the openGear frames
- 5 year transferable warranty

Functional Block Diagrams

This section provides the functional block diagrams that outline the workflow of the ADA-8402-B.

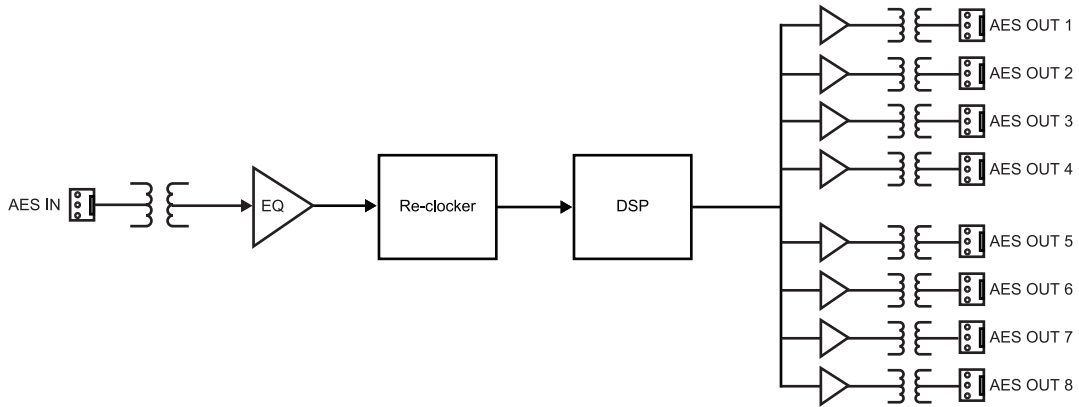


Figure 1.1 Simplified Block Diagram — 8310AR-042 and 8320AR-042 Full Rear Modules

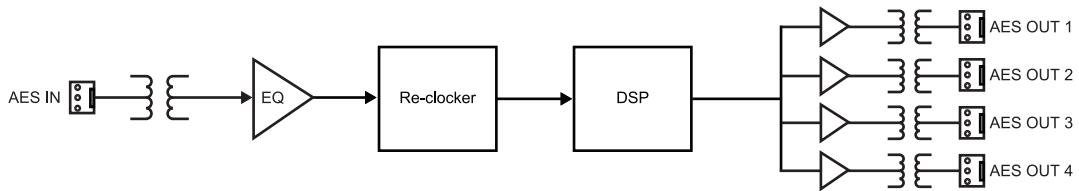


Figure 1.2 Simplified Block Diagram — 8320AR-043 Split Rear Module

User Interfaces

The ADA-8402-B offers the following interfaces for control and monitoring.

DashBoard Control System™

The DashBoard Control System™ enables you to monitor and control openGear frames and cards from a computer. DashBoard communicates with other cards in the openGear frame through the Network Controller Card.

For More Information on...

- the menus in DashBoard, refer to the chapter “**DashBoard Menus**” on page 4-1.
- using DashBoard, refer to the *DashBoard User Manual*.

Card-edge Controls

The ADA-8402-B provides LEDs on the card-edge that display the status of the input signals.

For More Information on...

- adjusting the output levels, refer to the section “**Card Overview**” on page 3-2.
- monitoring the status using the card-edge LEDs, refer to the section “**Control and Monitoring Features**” on page 3-6.

Documentation Terms and Conventions

The following terms and conventions are used throughout this manual.

Terms

The following terms are used:

- “**525-line mode**” refers to broadcast situations using **NTSC** composite (analog) signal reference inputs.
- “**625-line mode**” refers to broadcast situations using **PAL-B** composite (analog) signal reference inputs.
- “**Board**” and “**Card**” refer to openGear terminal devices within openGear frames, including all components and switches.
- “**DashBoard**” refers to the DashBoard Control System™.
- “**DFR-8300 series**” refers to all versions of the DFR-8310 series and DFR-8321 series frames and any available options unless otherwise noted.
- “**OG3-FR series**” refers to the OG3-FR series frames and
- “**openGear frame**” refers to all versions of the DFR-8300 series and OG3-FR series frames and any available options unless otherwise noted.
- “**Operator**” and “**User**” refer to the person who uses ADA-8402-B.
- “**System**” and “**Video system**” refer to the mix of interconnected production and terminal equipment in your environment.

Conventions

The following conventions are used:

- The “**Operating Tips**” and “**Note**” boxes are used throughout this manual to provide additional user information.

Installation

In This Chapter

This chapter provides instructions for installing the rear module(s) for the ADA-8402-B, installing the card into the frame, cabling details, and updating the card software.

The following topics are discussed:

- Before You Begin
- Installing the ADA-8402-B
- Cabling for the ADA-8402-B
- Software Upgrades

Before You Begin

Before proceeding with the instructions in this chapter, ensure that your openGear frame is properly installed according to the instructions in the *DFR-8300 and OG3-FR Series User Manual*.

Static Discharge

Whenever handling the ADA-8402-B and other related equipment, please observe all static discharge precautions as described in the following note:



ESD Susceptibility — *Static discharge can cause serious damage to sensitive semiconductor devices. Avoid handling circuit boards in high static environments such as carpeted areas and when synthetic fiber clothing is worn. Always exercise proper grounding precautions when working on circuit boards and related equipment.*

Unpacking

Unpack each ADA-8402-B you received from the shipping container and ensure that all items are included. If any items are missing or damaged, contact your sales representative or Ross Video directly.

Installing the ADA-8402-B

This section outlines how to install a rear module and card in an openGear frame. The same procedure applies regardless of the frame or card type. However, the specific rear module you need to install depends on the frame you are using.

Rear Modules for the ADA-8402-B

The rear module for the ADA-8402-B depends on the openGear frame you are installing the card into.

- **DFR-8310 series frame** — When installing the ADA-8402-B in the DFR-8310 series frames, the **8310AR-042** rear module is required. The ADA-8402-B is not compatible with the DFR-8310-BNC frame.
- **DFR-8321 series frame** — When installing the ADA-8402-B in the DFR-8321 series frames, the **8320AR-042** Full Rear Module, or the **8320AR-043** Split Rear Module can be used. When using a Full Rear Module, use the even numbered slots, such as 2 or 4, to ensure that the card aligns with the rear module.

Installing a Rear Module

If the rear module is already installed, proceed to the section “**Installing the ADA-8402-B**” on page 2-4.

To install a rear module in your openGear frame

1. Locate the card frame slots on the rear of the frame.
2. Remove the Blank Plate from the slot you have chosen for the ADA-8402-B installation.
3. Install the bottom of the rear module in the **Module Seating Slot** at the base of the frame’s back plane. (**Figure 2.1**)

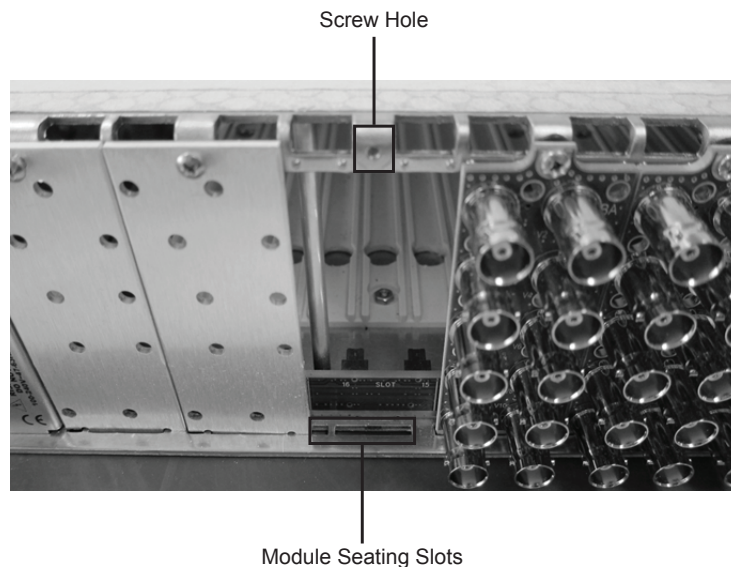


Figure 2.1 Rear Module Installation in an openGear Frame (ADA-8402-B not shown)

4. Align the top hole of the rear module with the screw on the top-edge of the frame back plane.

5. Using a Phillips screwdriver and the supplied screw, fasten the rear module to the back plane of the frame. Do not over tighten.
6. Ensure proper frame cooling and ventilation by having all rear frame slots covered with rear modules or Blank Plates.

Installing the ADA-8402-B

This section outlines how to install the ADA-8402-B in an openGear frame. If the ADA-8402-B is to be installed in any compatible frame other than a Ross Video product, refer to the frame manufacturer's manual for specific instructions.

To install the ADA-8402-B in an openGear frame

1. Locate the rear module you installed in the procedure “**Installing a Rear Module**” on page 2-3.
2. Hold the ADA-8402-B by the edges and carefully align the card-edges with the slots in the frame.
3. Fully insert the card into the frame until the rear connection plus is properly seated in the rear module.
4. Verify whether your label is self-adhesive by checking the back of the label before applying the label to the rear module surface.
5. Affix the supplied **Rear Module Label** to the BNC area of the rear module.

Cabling for the ADA-8402-B

This section provides information for connecting cables to the installed rear modules on the openGear frames. Connect the input and output cables according to the following sections. The input is internally terminated in 110ohm and it is not necessary to terminate unused outputs.

DFR-8310 Series Frame Cabling Overview

The ADA-8402-B is used with the following rear modules:

- **8310AR-042** Full Rear Module — Each rear module occupies one slot and accommodates one card. This rear module provides one AES input and eight AES outputs. (Figure 2.2)

DFR-8321 and OG3-FR Series Frame Cabling Overview

The ADA-8402-B is used with the following rear modules:

- **8320AR-042** Full Rear Module — Each rear module occupies two slots and accommodates one card. This rear module provides one AES input and eight AES outputs. (Figure 2.2)
- **8320AR-043** Split Rear Module — Each rear module occupies two slots and accommodates two cards. This rear module provides one AES input and four outputs per card. (Figure 2.3)

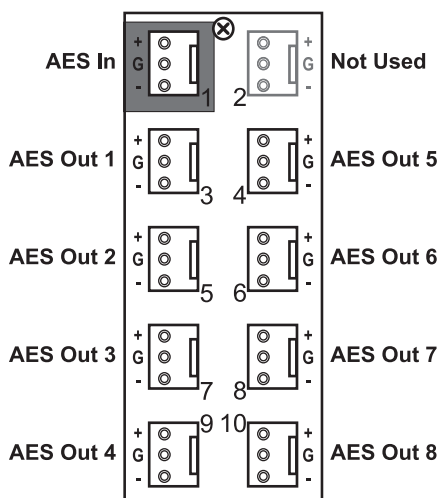


Figure 2.2 Cable Connections for the 8310AR-042 and 8320AR-042 Rear Modules

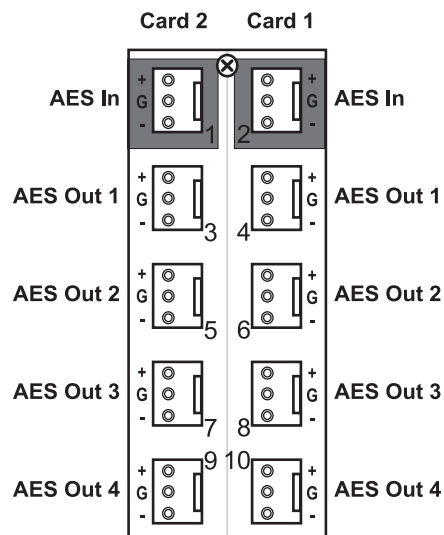


Figure 2.3 Cable Connections for the 8320AR-043 Split Rear Module

Software Upgrades

The card can be upgraded in the field via the MFC-8300 series Network Controller card in your frame.



Note — *DashBoard version 3.0.0 or higher is required for this procedure.*

To upgrade the software on a card

1. Contact Ross Technical Support for the latest software version file.
2. Display the **Device View** of the card by double-clicking its status indicator in the **Basic Tree View**.
3. From the **Device View**, click **Upload** to display the **Select file for upload** dialog.
4. Navigate to the *.bin upload file you wish to upload.
5. Click **Open**.
6. If you are upgrading a single card, click **Finish** to display the **Uploading to Selected Devices** dialog. Proceed to step 8.
7. If you are upgrading multiple cards:
 - Click **Next >** to display the **Select Destination** menu. This menu provides a list of the compatible cards based on the card selected in step 2.
 - Specify the card(s) to upload the file to by selecting the check box(es) for the cards you wish to upload the file to.
 - Verify that the card(s) you wish to upload the file to. The **Error/Warning** fields indicate any errors, such as incompatible software or card type mismatch.
 - Click **Finish** to display the **Uploading to Selected Devices** dialog.
8. Monitor the upgrade.
 - Monitor the upgrade progress bar displayed in DashBoard while the software is upgraded on your card.
 - The card(s) automatically re-boot and are temporarily taken offline during the re-boot process. The process is complete once the status indicators for the **Card State** and **Connection** fields return to their previous status.

User Controls

In This Chapter

This chapter provides a general overview of the user controls available on the ADA-8402-B.

The following topics are discussed:

- Card Overview
- Control and Monitoring Features

Card Overview

This section provides a general overview of the card-edge controls for the ADA-8402-B.

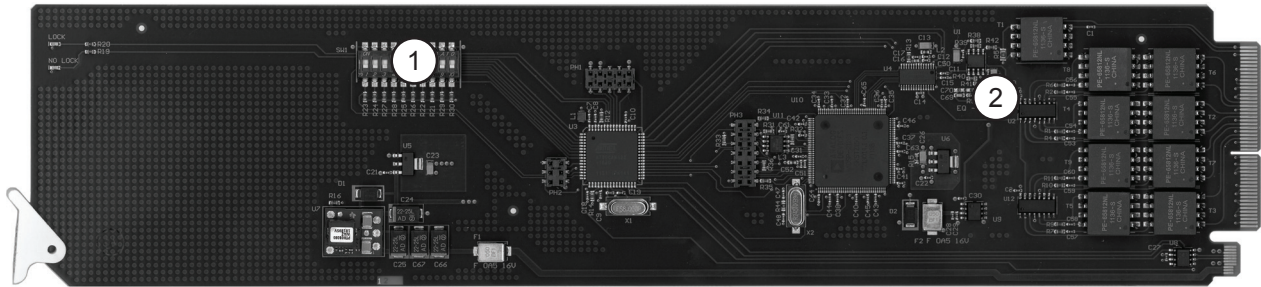


Figure 3.1 ADA-8402-B — Components

1) DIP Switches	2) EQ Adjustment (J3)
-----------------	-----------------------

1. DIP Switches

This is a block of ten DIP Switches that can be used to specify the card control, selecting the output mode, and applying a gain to the output from the card-edge. Refer to the section “Configuring the DIP Switches” on page 3-3 for details.

2. EQ Adjustment (J3)

Set **J3** to **IN** (Figure 3.2) to extend reach, or to improve jitter, on long cable runs. The default position is **OUT** (Figure 3.3) which disables this feature.

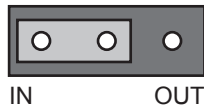


Figure 3.2 J3 — IN Position

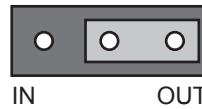


Figure 3.3 J3 - OUT Position

Using the DIP Switches

This section provides a brief summary of the DIP Switches of the ADA-8402-B and how to set them to configure the card.

Overview

Refer to **Figure 3.4** for the DIP Switch location on the card surface. **Figure 3.4** shows all the DIP Switches in the **OFF** position.

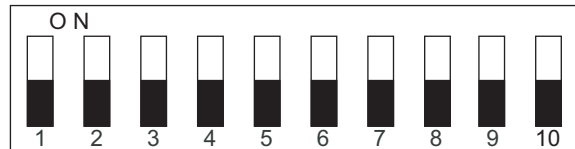


Figure 3.4 DIP Switches — OFF Positions

SW1 - Remote Control

Use **SW1** to disable remote control of the ADA-8402-B from DashBoard. Set **SW1** as follows:

- **ON** — Select this setting to disable remote control from DashBoard. The parameters and settings cannot be changed via DashBoard and must be changed using the card-edge controls. You can still monitor the status of the card using DashBoard.
- **OFF** — Select this setting to control the ADA-8402-B exclusively from DashBoard. The card-edge controls are ignored. This is the default setting.

SW2 - DIP Switch Control

Use **SW2** to determine whether DIP Switch settings are applied or ignored. Set **SW2** as follows:

- **ON** — DIP Switch status is reported in DashBoard, and DIP Switch settings are applied. Any parameter adjustments made in DashBoard are ignored.
- **OFF** — DIP Switch status is reported in DashBoard, however DIP Switch settings are ignored. Parameter adjustments made in DashBoard are applied. This is the default setting.

SW3, SW4 - Output Mode Selection

SW3 and **SW4** are used in conjunction to set the output mode of the ADA-8402-B. Refer to the section “Setting the Output Mode” on page 3-4 for details.

SW5

This DIP Switch is not implemented.

SW6 to SW10 - Gain Control

These switches are used in conjunction to apply a specific Gain value (dB). Refer to the section “Specifying the Gain” on page 3-4 for details.

Configuring the DIP Switches

This section briefly summarizes how to configure the DIP switches for card operation.

Enabling Card-edge Control

Ensure that **SW1** is set to **ON** and **SW2** is set to **ON** if you are going to use the card-edge DIP Switches to change settings on the card. You can still monitor the card status in DashBoard.

Setting the Output Mode

SW3 and **SW4**, are used in conjunction to set the output mode of the ADA-8402-B. **Table 3.1** lists the combinations of DIP Switch settings for **SW3** and **SW4**.

Table 3.1 Setting the Output Mode

SW3	SW4	Mode Selected
OFF	OFF	Stereo
OFF	ON	Mono
ON	OFF	Left Only
ON	ON	Right Only

Specifying the Gain

SW6-SW10 are used in conjunction to specify the coarse level gain adjustment applied to the output of the ADA-8402-B. **Table 3.2** lists the combinations of DIP Switch settings for **SW6-SW10**.

Table 3.2 Specifying the Gain

SW6	SW7	SW8	SW9	SW10	Gain (dB)
OFF	OFF	OFF	OFF	OFF	UNITY
OFF	OFF	OFF	OFF	ON	1
OFF	OFF	OFF	ON	OFF	2
OFF	OFF	OFF	ON	ON	3
OFF	OFF	ON	OFF	OFF	4
OFF	OFF	ON	OFF	ON	5
OFF	OFF	ON	ON	OFF	6
OFF	OFF	ON	ON	ON	7
OFF	ON	OFF	OFF	OFF	8
OFF	ON	OFF	OFF	ON	9
OFF	ON	OFF	ON	OFF	10
OFF	ON	OFF	ON	ON	11
OFF	ON	ON	OFF	OFF	12
OFF	ON	ON	OFF	ON	13
OFF	ON	ON	ON	OFF	14
OFF	ON	ON	ON	ON	15
ON	OFF	OFF	OFF	OFF	UNITY
ON	OFF	OFF	OFF	ON	-1
ON	OFF	OFF	ON	OFF	-2
ON	OFF	OFF	ON	ON	-3

Table 3.2 Specifying the Gain

SW6	SW7	SW8	SW9	SW10	Gain (dB)
ON	OFF	ON	OFF	OFF	-4
ON	OFF	ON	OFF	ON	-5
ON	OFF	ON	ON	OFF	-6
ON	OFF	ON	ON	ON	-7
ON	ON	OFF	OFF	OFF	-8
ON	ON	OFF	OFF	ON	-9
ON	ON	OFF	ON	OFF	-10
ON	ON	OFF	ON	ON	-11
ON	ON	ON	OFF	OFF	-12
ON	ON	ON	OFF	ON	-13
ON	ON	ON	ON	OFF	-14
ON	ON	ON	ON	ON	-15

Control and Monitoring Features

This section provides information on the LEDs for the ADA-8402-B. Refer to **Figure 3.5** for the location of the LEDs.

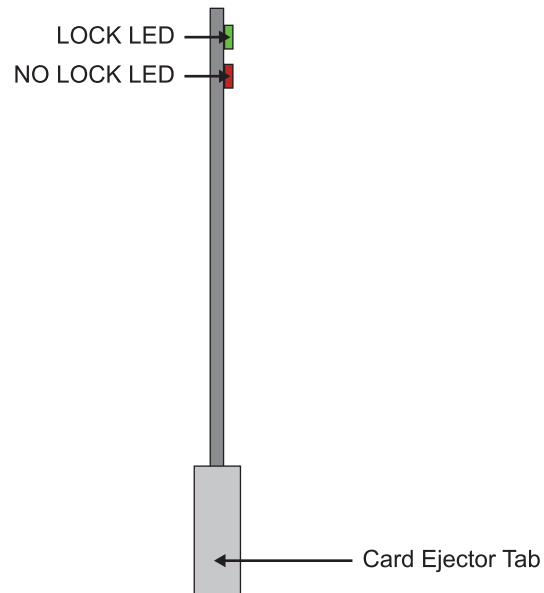


Figure 3.5 ADA-8402-B Card-edge Controls

Status and Selection LEDs on the ADA-8402-B

Basic LED displays and descriptions are provided in **Table 3.3**.

Table 3.3 LEDs on the ADA-8402-B

LED	Color	Display and Description
LOCK	Green	When lit green, this LED indicates a valid AES/EBU input signal.
NO LOCK	Red	When lit red, this LED indicates an invalid AES/EBU input signal.

DashBoard Menus

In This Chapter

This chapter provides a summary of the DashBoard menus available for the ADA-8402-B. Parameters noted with an asterisk (*) are the default values.

The following topic is discussed:

- Status Tabs
- Settings Tab

Status Tabs

This section summarizes the read-only information displayed in the **Status** tabs. The fields in these tabs vary in severity from green (valid), yellow (caution), to red (alarm). DashBoard reports the most severe alarm for a single field. Alarm colors are noted within the tables as text set in brackets next to the menu parameter name.

Status Tab

Table 4.1 summarizes the read-only information of the **Status** tab.

Table 4.1 Status Tab Items

Tab Title	Item	Parameters	Description
Status	AES Audio Status	Locked (Green)	Card is functioning properly and a valid AES audio signal is present
		Not Locked (Red)	AES audio signal is not present
	LKFS (10Sec)	#	Card reads and reports the ITU1770 LKFS Audio Measurements

Product Tab

Table 4.2 summarizes the read-only information of the **Product** tab.

Table 4.2 Product Tab Items

Tab Title	Item	Parameters	Description
Product	Card Name	AES/EBU Distribution Amplifier (110ohm)	
	Product	ADA-8402-B	
	Supplier	Ross Video Ltd.	
	Serial Number	#	Indicates the serial number of the board
	Software Rev	###	Indicates the software version

Settings Tab

Table 4.3 summarizes the Settings options available in DashBoard.

Table 4.3 Settings Menu Items

Tab Title	Item	Parameters	Description
Settings	Mode	Mono	<p>Channel A and B are summed together</p> <ul style="list-style-type: none"> • Use the CHA Trim Control to alter the gain of the Channel A input • Use the CHB Trim Control to alter the gain of the Channel B input • Note that the STEREO Gain will adjust the output after the channels are summed.
		Stereo	<p>Channel A and B are independent.</p> <ul style="list-style-type: none"> • Use the CHA Trim Control to alter the gain of Channel A input • Use the CHB Trim Control to alter the gain of Channel B input • Note that the STEREO Gain will adjust the output of both channels.
		L Only	<p>Specifies Channel A as the output on both channels.</p> <ul style="list-style-type: none"> • Use the CHA Trim Control to alter the output gain • The CHB Trim Control has no effect on the output • Note that the STEREO Gain will adjust the output Channel A only.
		R Only	<p>Specifies Channel B as the output on both channels.</p> <ul style="list-style-type: none"> • The CHA Trim Control has no effect on the output • Use the CHB Trim Control to alter the output gain • Note that the STEREO Gain will adjust the output Channel B only.
	STEREO Gain Control	0 to 100	Specifies the coarse level gain adjustment applied to the output of the card
	CH# Trim Control (dB)	-15 to +15	<p>Alters the input gain for the specified channel.</p> <p>How the Mode is set determines what channel(s) the Trim Control alters.</p>

Specifications

In This Chapter

This chapter provides the technical specification information for the ADA-8402-B. Note that specifications are subject to change without notice.

The following topics are discussed:

- Technical Specifications

Technical Specifications

This section provides the technical specifications for the ADA-8402-B.

Table 5.1 ADA-8402-B Technical Specifications

Category	Parameter	Specification
AES Input	Number of Inputs	1
	Standards	AES-3 (SMPTE 276M)
	Sampling Rates	All rates from 32kHz to 96kHz
	Impedance (transformer balanced)	110ohm
	Connector	3-pin
	Equalization	2000ft (650m) over 110ohm, twisted-pair cable
	Input Level	0.2-7Vp-p
AES Outputs	Number of Outputs	8310AR-042 and 8320AR-042: 8
		8320AR-043: 4
	Standards	AES-3 (SMPTE 276M)
	Resolution	24Bit
	Return Loss	-25dB
	Impedance (transformer balanced)	110ohm
	Output Jitter	<5ns
Output Level	2.5Vp-p nominal	
Power	Max. Power Consumption	>2.2W

Service Information

In This Chapter

This chapter contains the following sections:

- Troubleshooting Checklist
- Warranty and Repair Policy

Troubleshooting Checklist

Routine maintenance to this openGear product is not required. In the event of problems with your ADA-8402-B, the following basic troubleshooting checklist may help identify the source of the problem. If the frame still does not appear to be working properly after checking all possible causes, please contact your openGear products distributor, or the Technical Support department at the numbers listed under the “**Contact Us**” section.

1. **Visual Review** — Performing a quick visual check may reveal many problems, such as connectors not properly seated or loose cables. Check the card, the frame, and any associated peripheral equipment for signs of trouble.
2. **Power Check** — Check the power indicator LED on the distribution frame front panel for the presence of power. If the power LED is not illuminated, verify that the power cable is connected to a power source and that power is available at the power main. Confirm that the power supplies are fully seated in their slots. If the power LED is still not illuminated, replace the power supply with one that is verified to work.
3. **Re-seat the Card in the Frame** — Eject the card and reinsert it in the frame.
4. **Check Control Settings** — Refer to the Installation and Operation sections of the manual and verify all user-adjustable component settings.
5. **Input Signal Status** — Verify that source equipment is operating correctly and that a valid signal is being supplied.
6. **Output Signal Path** — Verify that destination equipment is operating correctly and receiving a valid signal.
7. **Card Exchange** — Exchanging a suspect card with a card that is known to be working correctly is an efficient method for localizing problems to individual cards.

Warranty and Repair Policy

The ADA-8402-B is warranted to be free of any defect with respect to performance, quality, reliability, and workmanship for a period of FIVE (5) years from the date of shipment from our factory. In the event that your ADA-8402-B proves to be defective in any way during this warranty period, Ross Video Limited reserves the right to repair or replace this piece of equipment with a unit of equal or superior performance characteristics.

Should you find that this ADA-8402-B has failed after your warranty period has expired, we will repair your defective product should suitable replacement components be available. You, the owner, will bear any labor and/or part costs incurred in the repair or refurbishment of said equipment beyond the FIVE (5) year warranty period.

In no event shall Ross Video Limited be liable for direct, indirect, special, incidental, or consequential damages (including loss of profits) incurred by the use of this product. Implied warranties are expressly limited to the duration of this warranty.

This ADA-8402-B User Manual provides all pertinent information for the safe installation and operation of your openGear Product. Ross Video policy dictates that all repairs to the ADA-8402-B are to be conducted only by an authorized Ross Video Limited factory representative. Therefore, any unauthorized attempt to repair this product, by anyone other than an authorized Ross Video Limited factory representative, will automatically void the warranty. Please contact Ross Video Technical Support for more information.

In Case of Problems

Should any problem arise with your ADA-8402-B, please contact the Ross Video Technical Support Department. (Contact information is supplied at the end of this publication.)

A Return Material Authorization number (RMA) will be issued to you, as well as specific shipping instructions, should you wish our factory to repair your ADA-8402-B. If required, a temporary replacement frame will be made available at a nominal charge. Any shipping costs incurred will be the responsibility of you, the customer. All products shipped to you from Ross Video Limited will be shipped collect.

The Ross Video Technical Support Department will continue to provide advice on any product manufactured by Ross Video Limited, beyond the warranty period without charge, for the life of the equipment.

Contact Us

Contact our friendly and professional support representatives for the following:

- Name and address of your local dealer
- Product information and pricing
- Technical support
- Upcoming trade show information

Technical Support

Telephone: +1 613 • 652 • 4886
After Hours Emergency: +1 613 • 349 • 0006
Email: techsupport@rossvideo.com

General Information

Telephone: +1 613 • 652 • 4886
Fax: +1 613 • 652 • 4425
Email: solutions@rossvideo.com
Website: <http://www.rossvideo.com>

Visit Us

Visit our website for:

- Company information and news
- Related products and full product lines
- Online catalog
- Testimonials