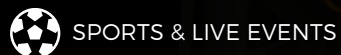


# FURIO *SkyDolly*

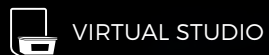
AMONG THE STARS



SPORTS & LIVE EVENTS



NEWS



VIRTUAL STUDIO



MOBILE



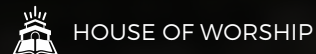
ESPORTS



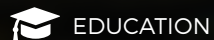
GOVERNMENT



CORPORATE



HOUSE OF WORSHIP



EDUCATION



IP & SDP WORKFLOWS

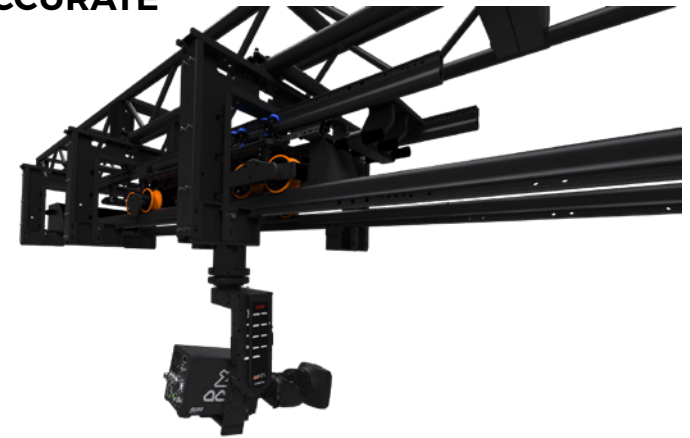


The Furio SkyDolly is the ceiling-mounted version of the legendary Furio. SkyDolly maintains all the best characteristics of the Furio SE while addressing the key issues that are specific to ceiling-mounted dolly systems.

## Features/Benefits

- Benefit from the safest ceiling-mounted dolly on the market, featuring a completely captive dolly that cannot be derailed, and safety tethers for the payload and head.
- Stay stable and shake-free, even at high speed with SkyDolly's sturdy base, solid infrastructure, and raised center of mass.
- Custom cable management reduces drag, moves quietly, and has minimal impact on overall footprint.
- Custom cable management reduces drag, moves quietly, and minimizes impact to overall footprint.

# **HiGH** **IMPACT** **EFFICIENCY** **ELEVATED CREATIVE FREEDOM** **SAFE, STABLE AND ACCURATE**



HIGHLIGHTS

## **ULTIMATE STABILITY**

SkyDolly's three-wheeled design features a wheelbase that is 40% longer and 60% wider, providing rock solid stability for dramatic overhead moving shots.

## **ONE OF THE FAMILY**

SkyDolly is fully compatible with all Furio heads, and is easily added to new or existing Ross Robotics solutions under SmartShell or OverDrive control.

## **12" TO 48" COLUMNS**

SkyDolly is initially available with fixed columns ranging from 12" to 48", and an inverted S2 lift will be available in the future.

