

FURIO *SkyDolly*

AMONG THE STARS

 SPORTS & LIVE EVENTS

 NEWS

 VIRTUAL STUDIO

 MOBILE

 ESPORTS

 GOVERNMENT

 CORPORATE

 HOUSE OF WORSHIP

 EDUCATION

 IP & SDP WORKFLOWS

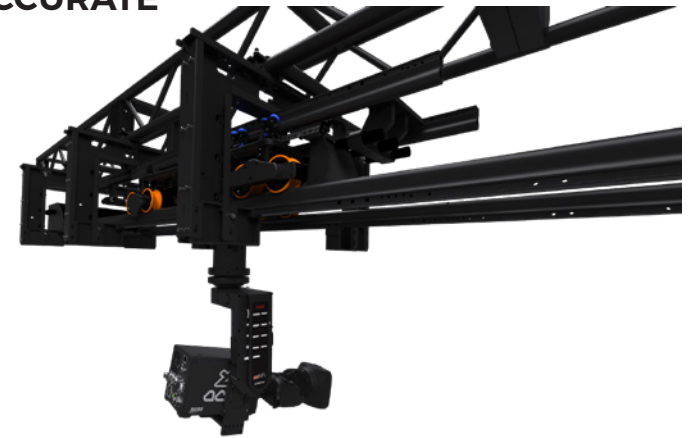


The Furio SkyDolly is the ceiling-mounted version of the legendary Furio. SkyDolly maintains all the best characteristics of the Furio SE while addressing the key issues that are specific to ceiling-mounted dolly systems.

Features/Benefits

- Enjoy peace of mind with the safest ceiling-mounted dolly on the market, featuring a completely captive dolly that cannot be derailed, safety tethers for the payload and head, and remote E-stops, just in case.
- Stay stable and shake-free, even at high speed, with SkyDolly's sturdy base, solid infrastructure, and raised center of mass.
- With a payload capacity large enough to support a full-sized prompter, SkyDolly delivers much more than just beauty shots.
- Still a Furio at heart, SkyDolly supports all the same great features as Furio SE, including stable and accurate virtual tracking data and multiple dollies with collision avoidance sharing a common track.

HiGH **IMPACT** **EFFICIENCY** ELEVATED CREATIVE FREEDOM SAFE, STABLE AND ACCURATE



HIGHLIGHTS

ULTIMATE STABILITY

SkyDolly's three-wheeled design features a wheelbase that is 40% longer and 60% wider, providing rock solid stability for dramatic overhead moving shots.

ONE OF THE FAMILY

SkyDolly is fully compatible with all Furio heads, which means it supports Furio Moves, Virtual Tracking, Collision Avoidance, and custom track configurations. It can be easily added to new or existing Ross Robotics solutions under SmartShell or OverDrive control.

GET AN EXTENSION

SkyDolly is available with fixed columns ranging from 12" to 48", and an inverted S2 lift will be available in the future.

