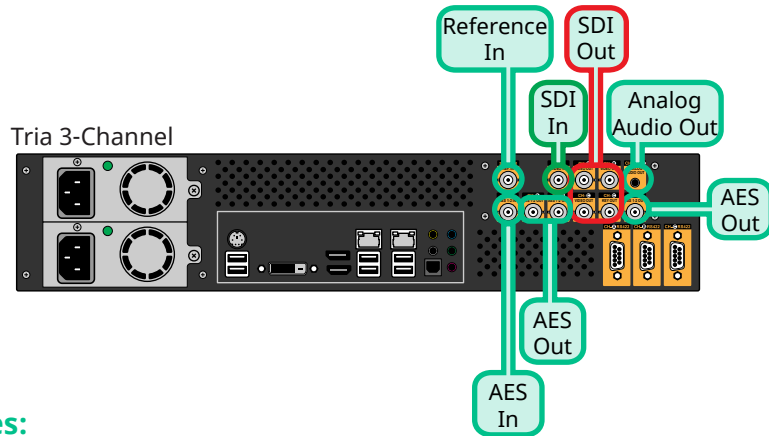


Caution: Before you set up and operate your server, see the "Important Safety Instructions" in your User manual.

Installation and Cabling

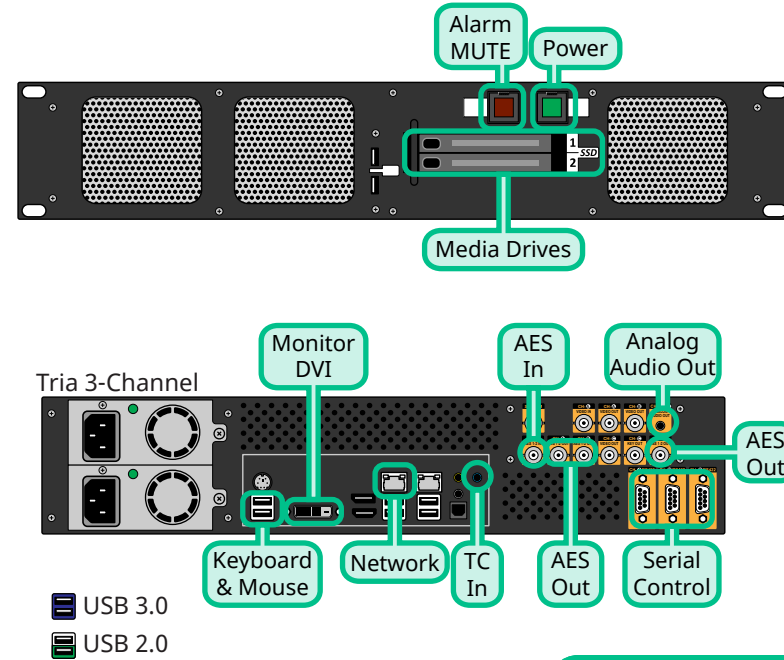
Video/Audio Inputs/Output/Reference



Notes:

- Only Channel A can record.
- The number of SDI and AES inputs and outputs depends on the model of server you have.
- If you are recording from, or playing into, an external device you must have all devices connected to the same reference signal to ensure proper timing.

Ports, Pinouts, and Diagnostics



RS422 (female DB9)

Pin	Signal
1	Gnd
2	Tx-
3	Rx+
4	Rx Gnd
5	n/c
6	Tx Gnd
7	Tx+
8	Rx-
9	n/c

Notes:

- Each Serial Control port is dedicated to a channel transport.
- Both RS-422 serial and ethernet control are supported for remote control.
- The TC In (LINE IN) audio port is used for TC Chase.

Specifications

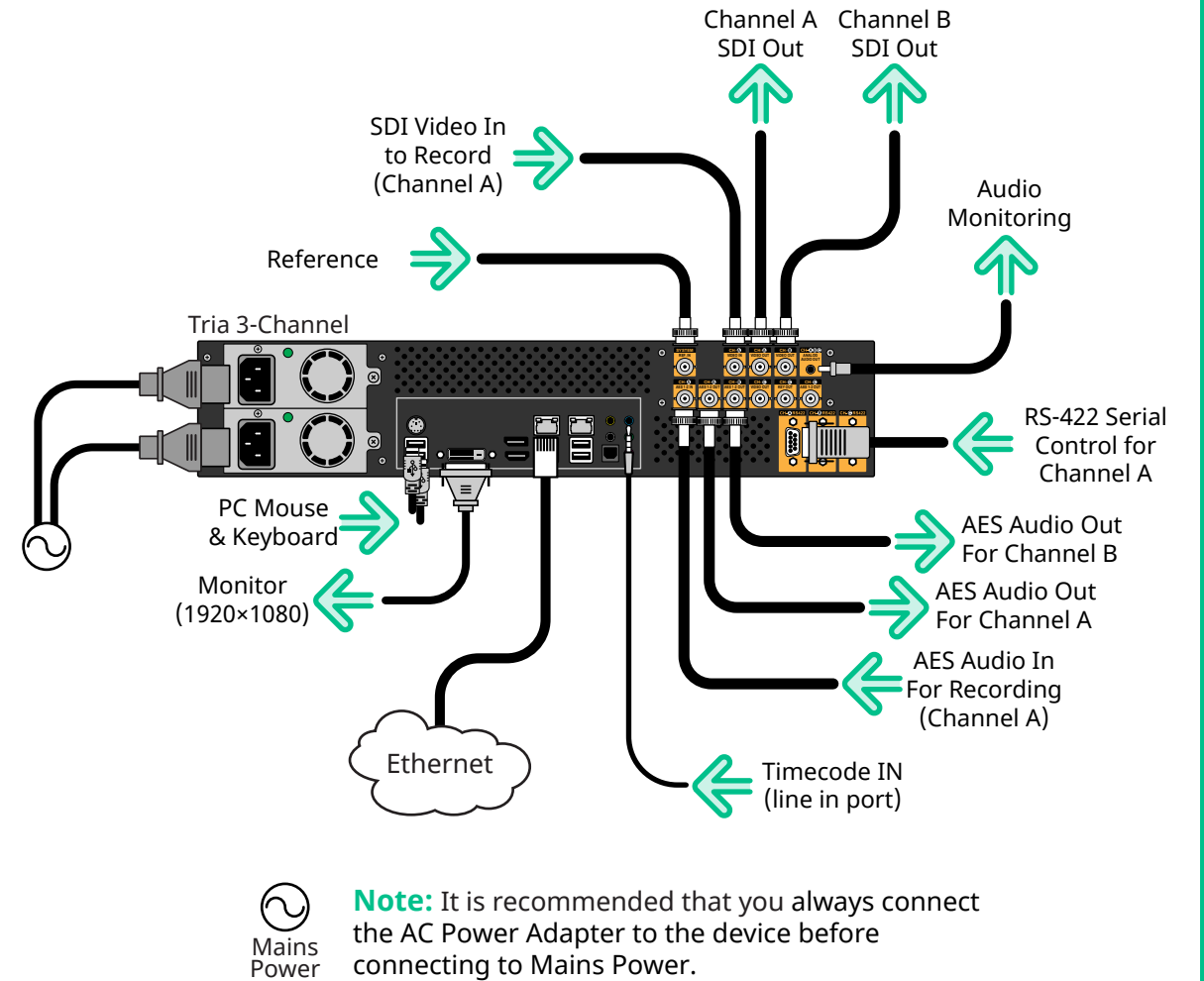
SDI Video Formats	
525i (480i)	59.94Hz
625i (576i)	50Hz
720p	59.94Hz
720p	50Hz
1080i	59.94Hz
1080i	50Hz

Native Codec (hardware dependent)	
JPEG-2000 Compression @ 25M to 200M or AVC-Intra Class 100 @ 100M	
Default Passwords	
Windows	Abekas
Administrator	multiflex

Input Voltages	
100 to 240V~	
3 to 1.5A	
60 to 50Hz	

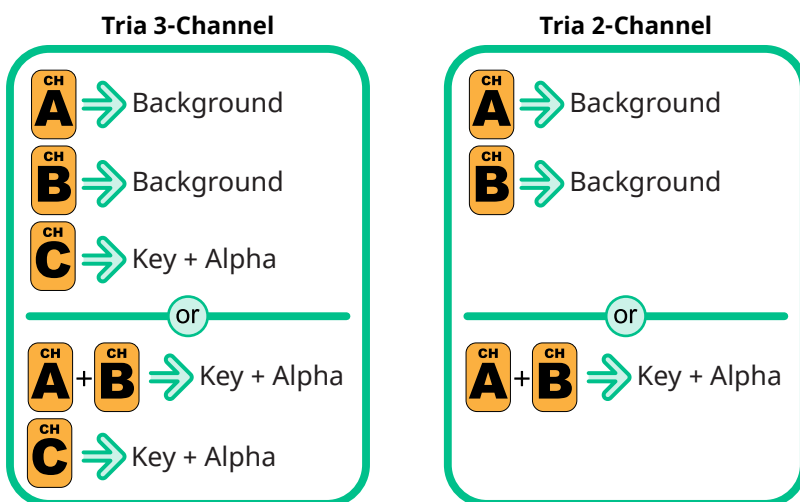
Operating Environment	
Temperature:	20 - 35°C (68 - 95°F)
Humidity:	20 - 80%

Power and Control Cabling



Note: It is recommended that you always connect the AC Power Adapter to the device before connecting to Mains Power.

Channel Configurations



Notes:

- Channels A and B can be two independent video channel transports, or they can be linked as Video (Channel A) and Alpha (Channel B) for a keyed (Auto Select Key) video output.
- Channel C on the Tria 3-Channel has a dedicated video and alpha (key) output.

