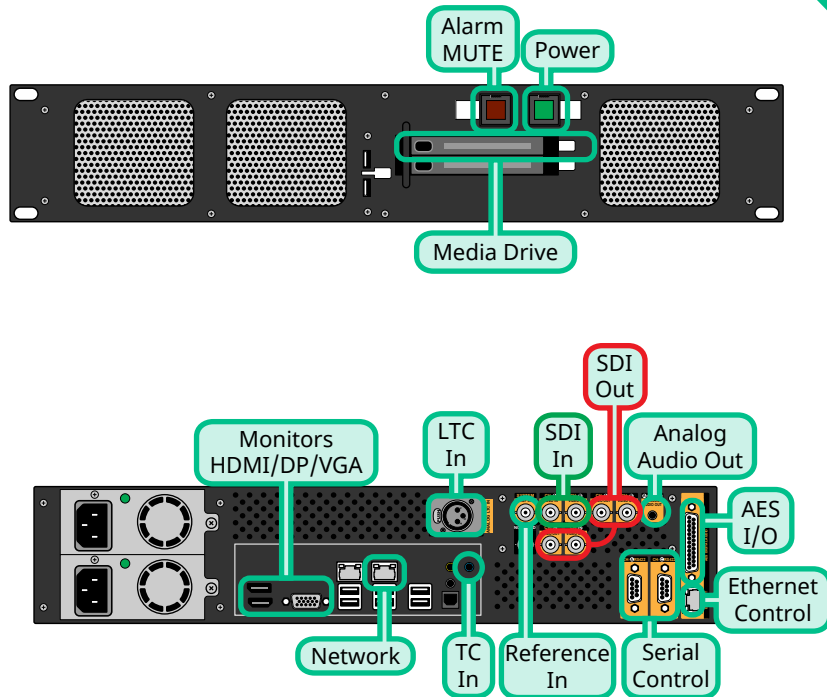
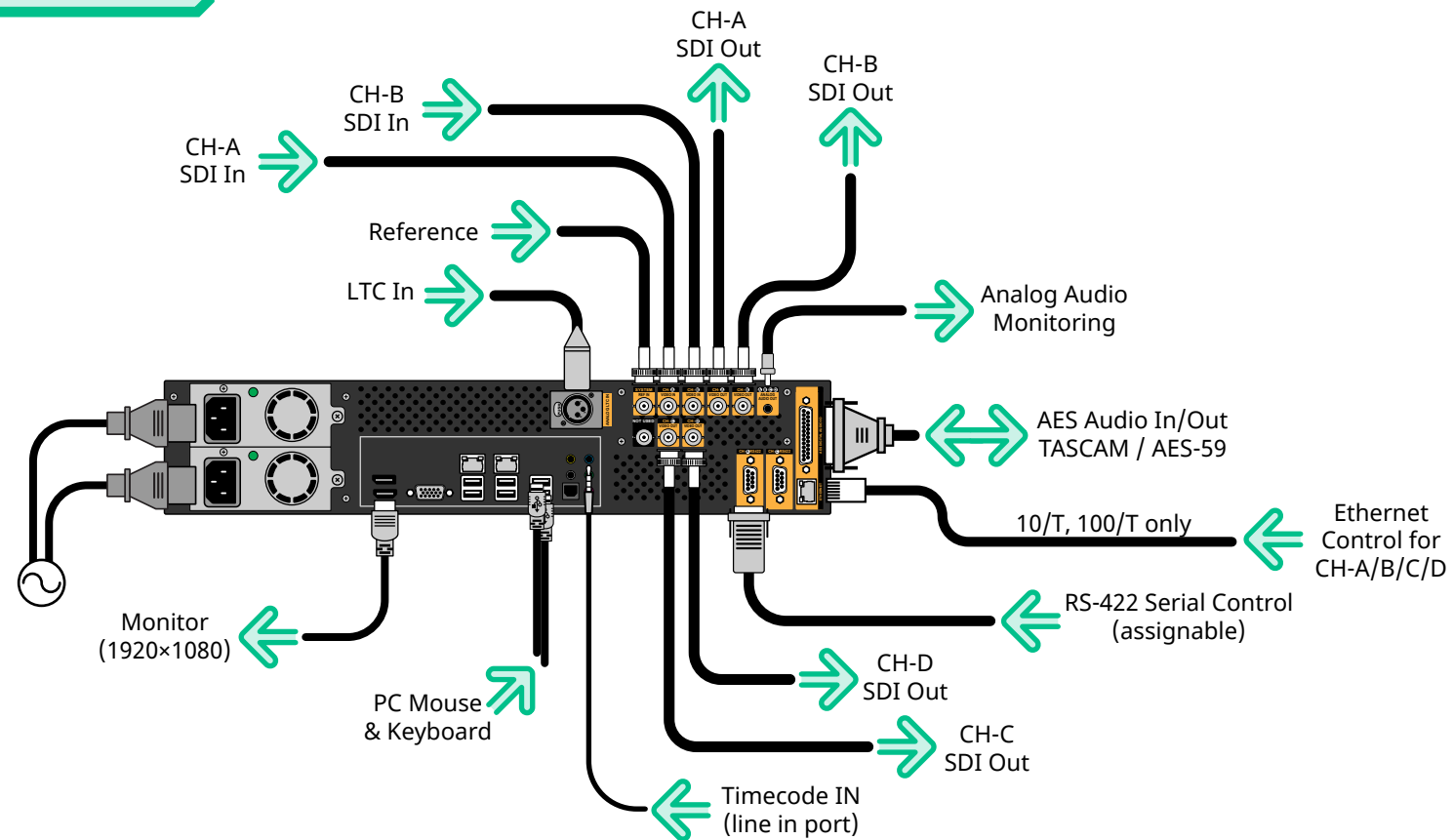


## Ports and Connectors



## Power and Control Cabling



### Notes:

- Only Channel A and B can record.
- If you are recording from, or playing into, an external device you must have all devices connected to the same reference signal to ensure proper timing.
- The Ethernet Control port only supports 10/T or 100/T speeds and is intended for remote control only.
- The TC In (LINE IN) audio port is used for TC Chase.

### RS422 (DB9)

| Pin | Signal |
|-----|--------|
| 1   | Gnd    |
| 2   | Tx-    |
| 3   | Rx+    |
| 4   | Rx Gnd |
| 5   | n/c    |
| 6   | Tx Gnd |
| 7   | Tx+    |
| 8   | Rx-    |
| 9   | n/c    |



Mains Power

**Note:** It is recommended that you always connect the AC Power Adapter to the device before connecting to Mains Power.

## Specifications

### SDI Video Formats

|                  |
|------------------|
| 1080p 50/59.94Hz |
| 1080i 50/59.94Hz |
| 720p 50/59.94Hz  |

### Default Passwords

|               |           |
|---------------|-----------|
| Windows       | Abekas    |
| Administrator | multiflex |

### Input Voltages

|              |
|--------------|
| 100 to 240V~ |
| 3 to 1.5A    |
| 60 to 50Hz   |

### Operating Environment

|              |                       |
|--------------|-----------------------|
| Temperature: | 20 - 35°C (68 - 95°F) |
| Humidity:    | 20 - 80%              |

### Video/Audio Input Specifications

|                        |  |
|------------------------|--|
| 720p/1080i HD-SDI      | SMPTE 292M 10-bit at 1.5Gb/s                     |
| 1080p HD-SDI           | SMPTE 424M 10-bit at 3.0Gb/s                     |
| Embedded Audio, HD-SDI | 8 Tracks, 48kHz at 24-bit                        |
| AES Discrete Audio     | 8 Tracks AES59-2012/TASCAM Digital               |
| Reference Input        | Tri-Level HD or Composite Analog SD; Terminating |
| Native Codec           | AVC-Intra Class 100 @ 100Mb/s                    |

### Video/Audio Output Specifications

|                         |   |
|-------------------------|---|
| 720p/1080i HS-SDI       | SMPTE 292M 10-bit at 1.5Gb/s  |
| 1080p HD-SDI            | SMPTE 424M 10-bit at 3.0Gb/s  |
| Embedded Audio, HD-SDI  | 8 Tracks, 48kHz at 24-bit   |
| AES Audio               | 8 Tracks AES59-2012/TASCAM Digital  |
| Analog Audio Monitoring | 3.5mm headphone connector, unbalanced, line-level at -10dBv, 2 Tracks (1 stereo pair), user selectable to monitor any out |
| Native Codec            | AVC-Intra Class 100 @ 100Mb/s   |

