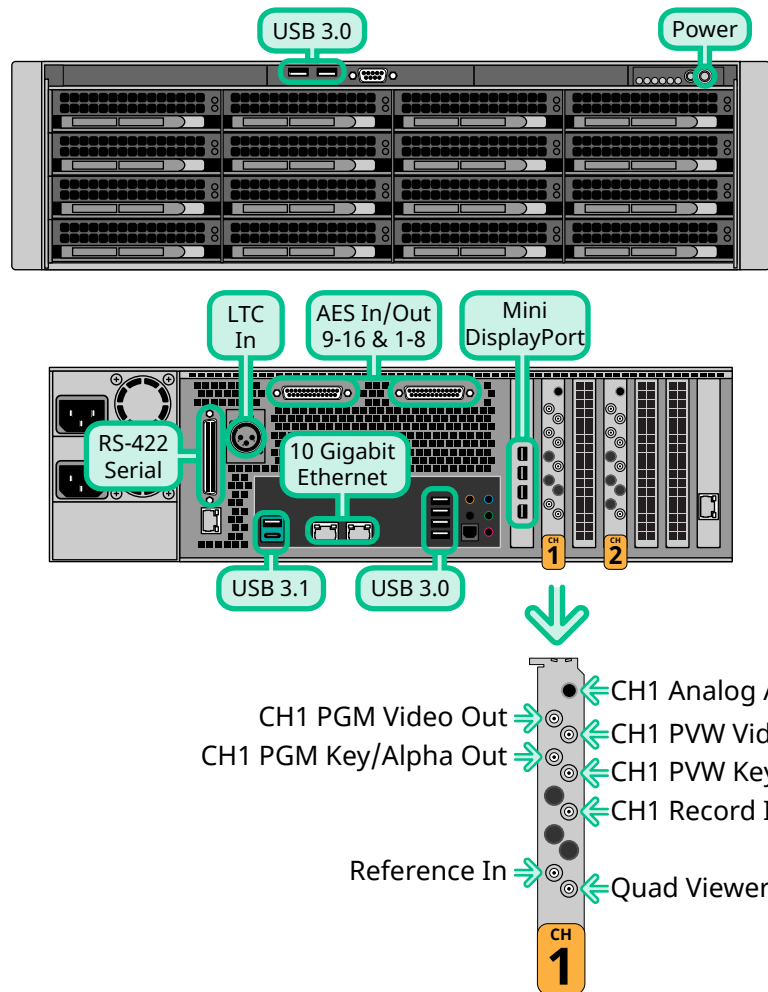


Ports and Connectors



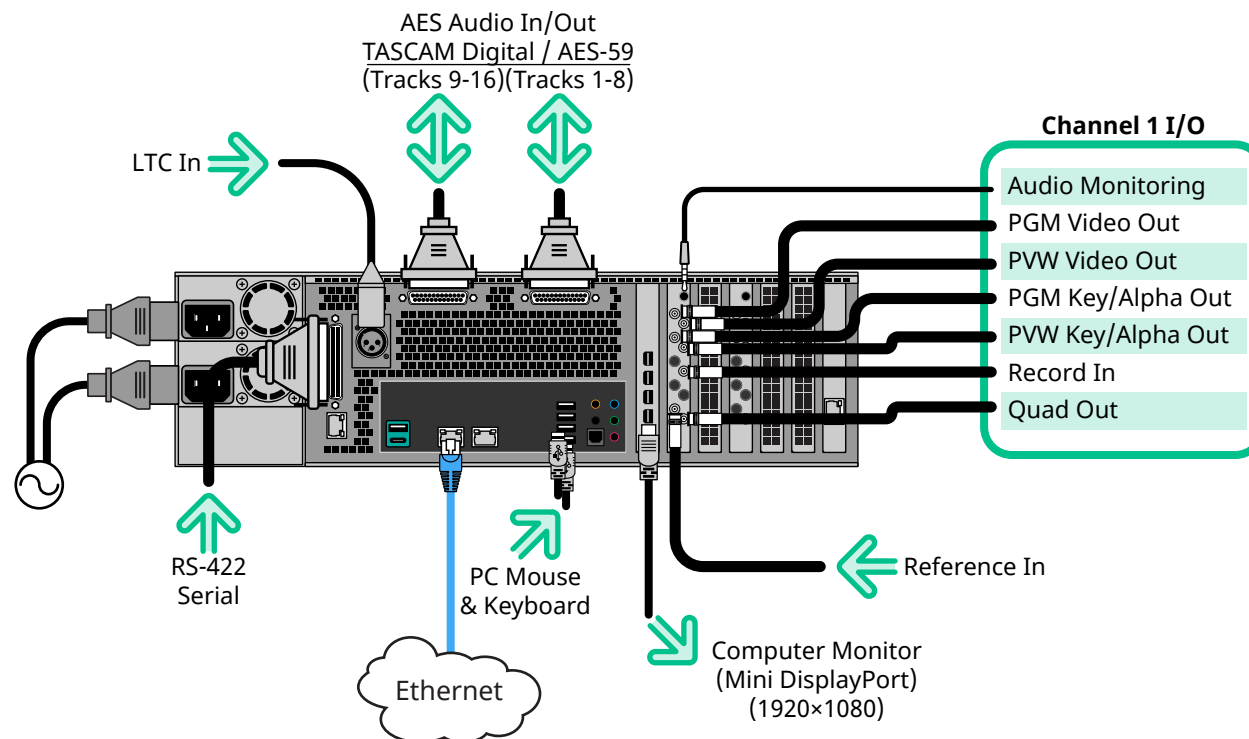
Notes:

- Only the Reference BNC (Ref In) on the left (Ch 1) board is operational when more than one board is installed.
- The AES Digital Audio I/O ports require a third-party TASCAM DIGITAL DB25 Breakout Cable option (not supplied with system).
- The number of video boards (each with one Video Channel Pair) depends on the model of server you have.
- If you are recording from, or playing into, an external device you must have all devices connected to the same reference signal to ensure proper audio/video synchronization.
- Both RS-422 serial and ethernet control are supported for remote control.
- Kiva Presenter should not be operated in a headless configuration. A display emulator can be used if a headless configuration is required.

Power, Video, Audio and Control Cabling

Note: The number of Video I/O boards in your server depends on the options installed.

Note: An octal breakout cable is supplied with the server and provides a dedicated RJ45 male connector (Qty 8) for serial control over each channel transports. RJ45 to D9 adapters are also provided.



Note: It is recommended that you always connect the AC Power Adapter to the device before connecting to Mains Power.

Specifications

SDI Video Formats

720p 50/59.94Hz
1080i 50/59.94Hz
1080p 50/59.94Hz

Operating Environment

Temperature: 20 - 35°C (68 - 95°F)
Humidity: 20 - 80%

Input Voltages

100 to 240V~
3 to 1.5A
60 to 50Hz

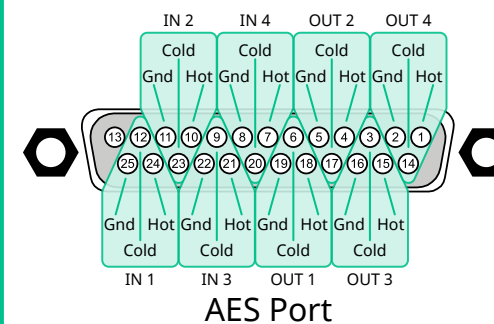
Video/Audio Input Specifications

Video 1080i/720p, HD-SDI	SMPTE 292M 10-bit at 1.5Gb/s
Video 1080p, HD-SDI	SMPTE 424M 10-bit at 3.0Gb/s
Embedded Audio, HD-SDI	8 Tracks, 48kHz at 24-bit
AES Discrete Audio	16 Tracks AES59-2012/TASCAM Digital
Reference Input	Tri-Level HD or Composite Analog SD; Terminating

Video/Audio Output Specifications

Video 1080i/720p, HD-SDI	SMPTE 292M 10-bit at 1.5Gb/s
Video 1080p, HD-SDI	SMPTE 424M 10-bit at 3.0Gb/s
Embedded Audio, HD-SDI	8 Tracks, 48kHz at 24-bit
AES Audio	16 Tracks AES59-2012/TASCAM Digital
Analog Audio Monitoring	3.5mm headphone connector. Unbalanced line-level at -10dBv. Selectable: stereo audio tracks from any video channel output

Port Pinouts



RS422 (RJ45/DB9)	
Pin	Signal
1	Gnd
2	Tx-
3	Rx+
4	Rx Gnd
5	n/c
6	Tx Gnd
7	Tx+
8	Rx-
9	n/c

