

! The Streaming Gateway on the DashBoard Client and the Windows computer that is hosting the Teams meeting must be on the same Local Area Network (LAN) so that the NDI streams can be transferred between them,

Starting Teams

- 1 Enable NDI Feedback**
 - 1a If Remote Desktop Connection is used to access the Windows machine running Teams, make sure to select **Play on remote computer** in the **Remote audio playback** settings.
 - 1b Enable the NDI feedback output (NDIFeedback) on the SSG.
 - 1b In Privacy Settings, allow apps to access your camera and microphone.
 - 1c Install NDI Tools from <https://ndi.video/tools/ndi-tools/>.
 - 1d Start **Webcam** App from the NDI Launcher. Select **NDI Feedback** as the source of the Webcam.

- 2 Join a Teams Meeting**
 - 2a Log into your Teams account and join a Teams Meeting.
 - 2b In the meeting device settings, select **NDI Webcam Video 1** as the Camera and **NDI Webcam 1 (NewTek NDI Audio)** as the microphone.
 - 2c Disable noise suppression in Teams.

Note: Your account must have administrative privileges.

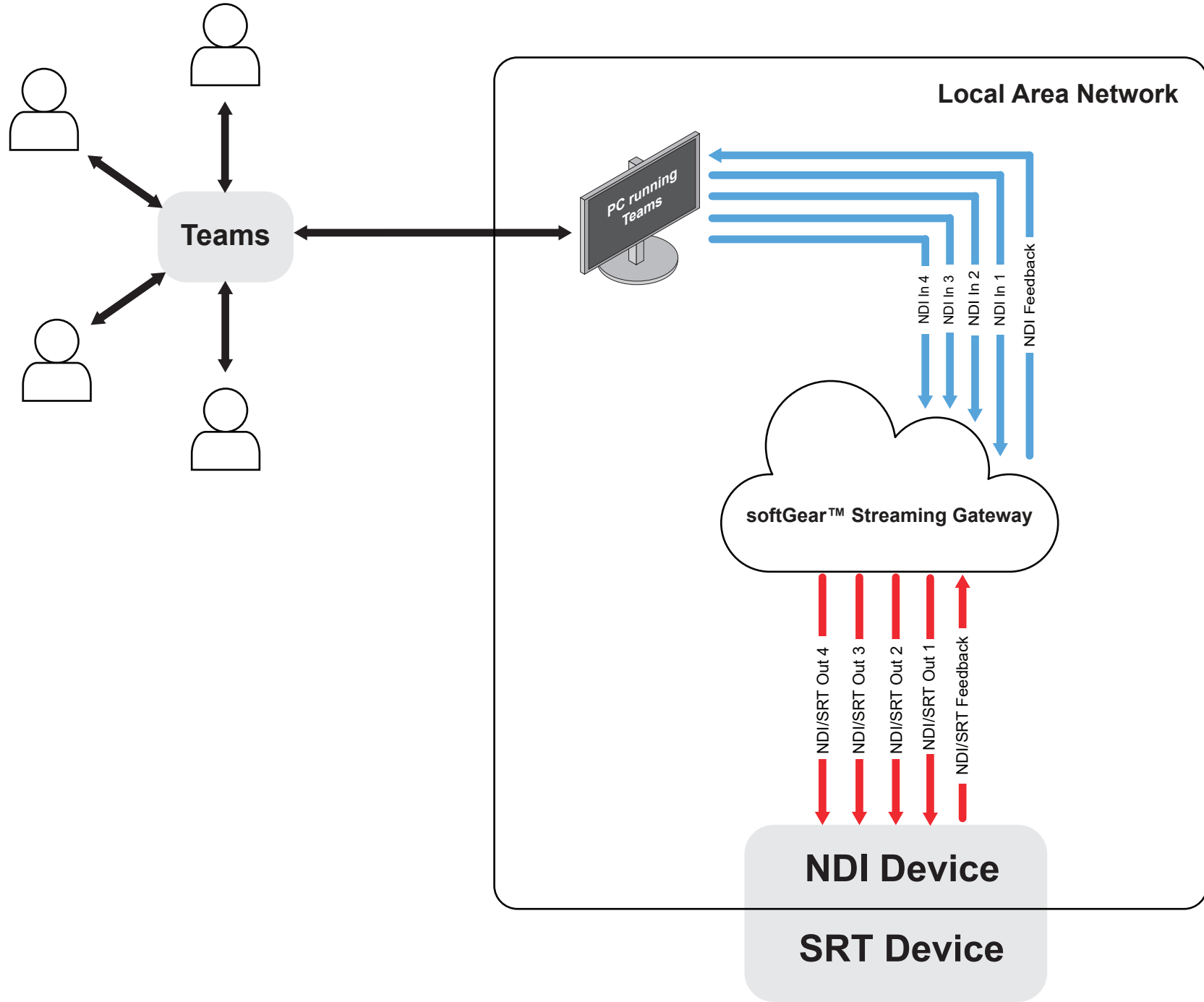
NDI Broadcasting from Teams

- 3 Enable Production Capabilities**
 - 3a In the Teams account on the PC running Teams, select **Settings and more** next to your profile image at the top of Teams.
 - 3b Navigate to **Settings > App permissions**.
 - 3c Scroll down to **Production Capabilities**, and toggle the setting to **ON**.

- 4 Start an NDI Stream**
 - 4a In an active Teams meeting, select **More** at the top of the screen.
 - 4b Navigate to **Streaming** and click **Broadcast over NDI**.

- 5 Meeting Notification**

A notification informing participants that **broadcasting capabilities** are turned on will be displayed to all meeting attendees who have subscribed to that NDI stream.



Source Configuration

- 6 Input Configuration**
 - 6a Open the softGear Streaming Gateway interface in DashBoard.
 - 6b In the **Source Configuration** tab, create an NDI source for each participant Teams video.

Destination Configuration

- 7 Destination Configuration**
 - 7a In the **Destination Configuration** tab, click **Create Destination**.
 - 7b Configure the output signal by selecting an output type and editing the parameters of the output stream.

- 8 Turn Online**

In the **Connections Control** tab, select the connection that you created and click **Online**.

? Have a question? Call our free, 24-hour technical support hotline to speak with a live product specialist located right here in our facility.
Tel: (+1) 613 • 652 • 4886
Email: techsupport@rossvideo.com