

! The Streaming Gateway on the DashBoard Client and the Windows computer that is hosting the Zoom Room must be on the same Local Area Network (LAN) so that the NDI streams can be transferred between them,

Starting Zoom Rooms

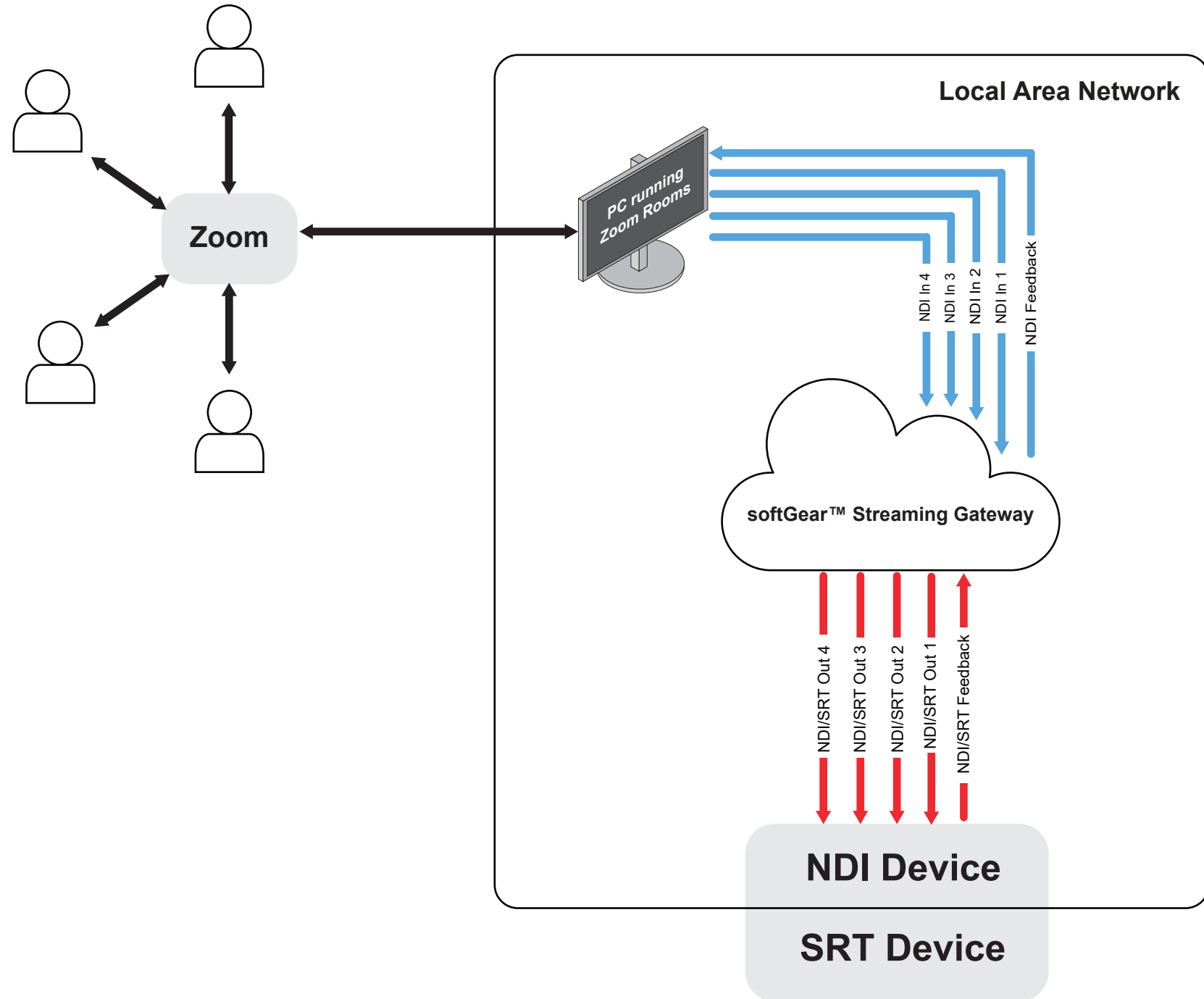
- 1 Enable NDI Feedback**
 - 1a If Remote Desktop Connection is used to access the Windows machine running Zoom Rooms, make sure to select **Play on remote computer** in the **Remote audio playback** settings.
 - 1b Enable the NDI feedback output (NDI Feedback) on the SSG.
 - 1b In Privacy Settings, allow apps to access your camera and microphone.
 - 1c Install NDI Tools from <https://ndi.video/tools/ndi-tools/>.
 - 1d Start **Webcam App** from the NDI Launcher. Select **NDI Feedback** as the source of the Webcam.
- 2 Host a Zoom Meeting**
 - 2a Start the Zoom Rooms app and log into your Zoom account.
 - 2b Use Zoom Rooms Controller to find Nearby Zoom Rooms. On Zoom Rooms, host a new meeting or join a meeting with transferring host. The Zoom Rooms must be as a host to be able to broadcast NDI.
 - 2c On device settings of the meeting, choose "NDI Webcam Video 1" as the Camera, select "NDI Webcam 1 (NewTek NDI Audio)" as the microphone.
 - 2c Disable noise suppression in Zoom.

NDI Broadcasting from Zoom Rooms

- 3 Enable NDI**
 - 3a Log in to the Zoom Web Portal.
 - 3b Navigate to Room Management > Zoom Rooms > Account Settings > Meetings.
 - 3c Scroll down to Allow Network Device Interface (NDI) Usage, and toggle the setting to ON.
- 4 Zoom Rooms Controller**
 - 4a On the Zoom Rooms Controller, click Change View.
 - 4b Under the Live on NDI section, click Add Output and select an Active Speaker.
- 5 NDI Streaming**

A notification informing Zoom participants that the session is streaming to NDI will be displayed in the Zoom call.

The host must tap the Zoom Rooms Controller to continue the session.



Source Configuration

- 6 Input Configuration**
 - 6a Open the softGear™ Streaming Gateway interface in Dashboard.
 - 6b In the **Source Configuration** tab, create an NDI source for each participant Zoom video.

Destination Configuration

- 7 Destination Configuration**
 - 7a In the **Destination Configuration** tab, click **Create Destination**.
 - 7b Configure the output signal by selecting an output type and editing the parameters of the output stream.

- 8 Turn Online**

In the **Connections Control** tab, select the connection that you created and click **Online**.

? Have a question? Call our free, 24-hour technical support hotline to speak with a live product specialist located right here in our facility.

Tel: (+1) 613 • 652 • 4886
Email: techsupport@rossvideo.com