

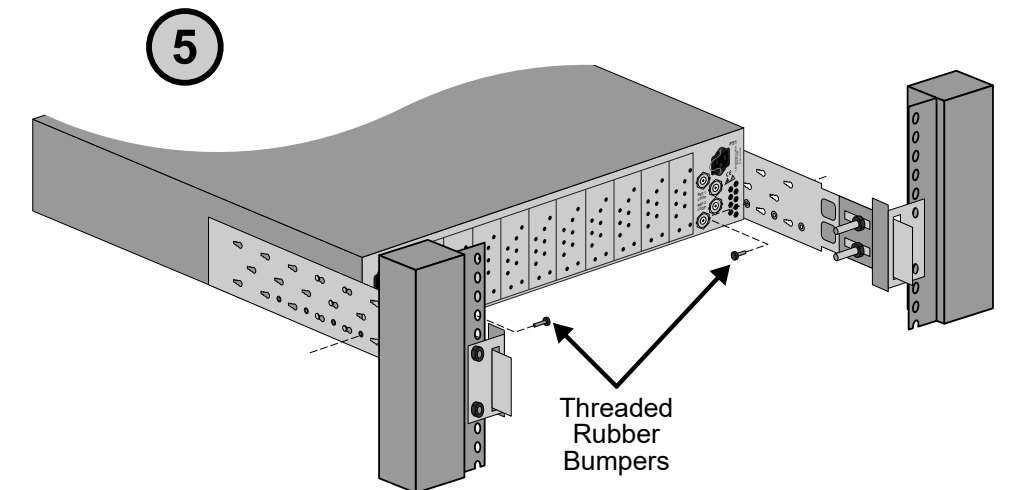
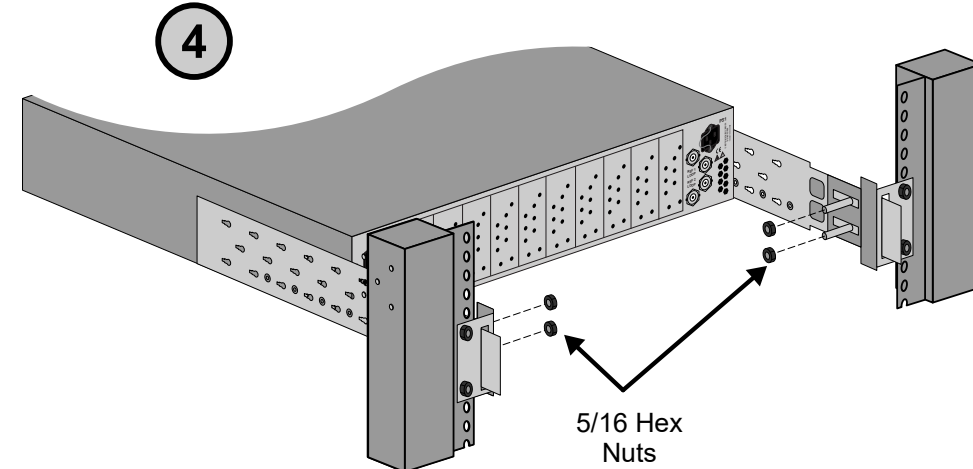
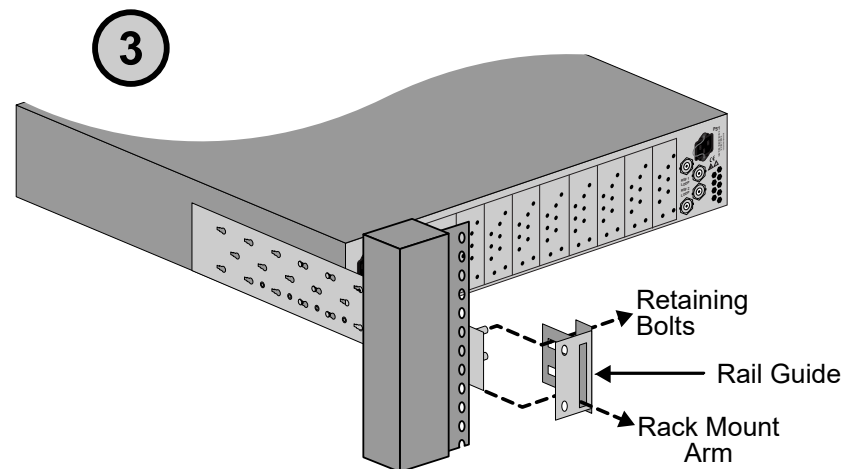
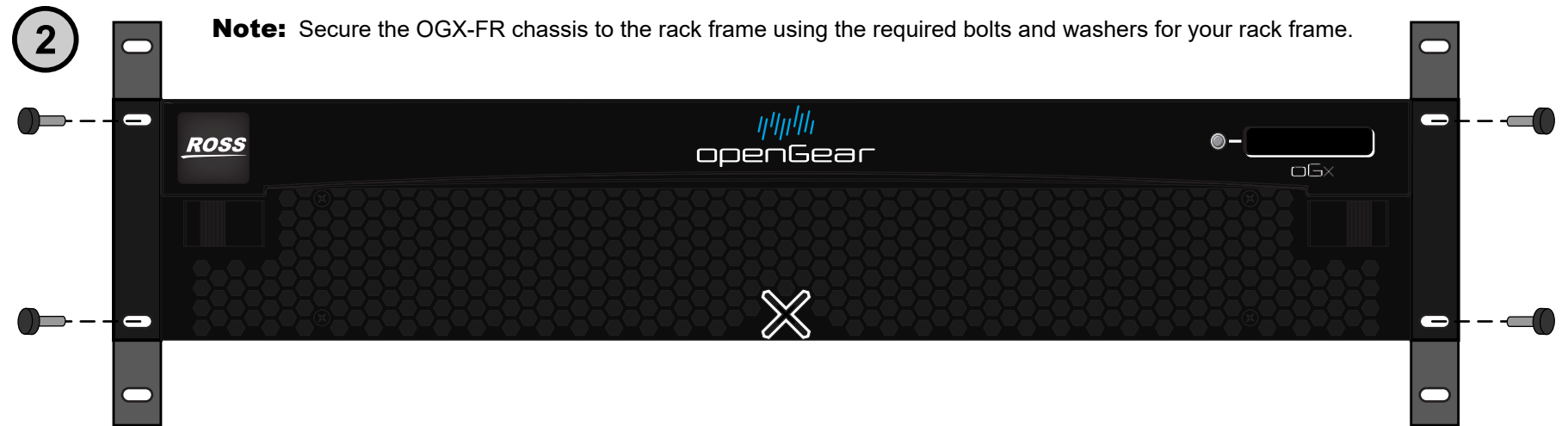
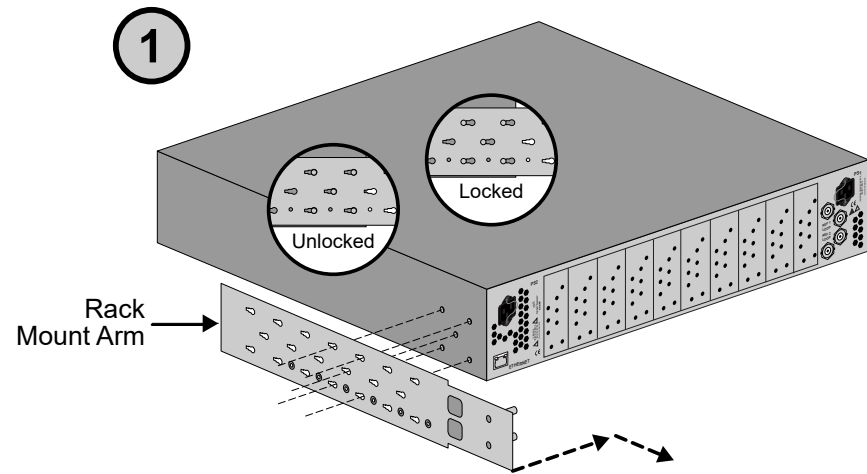
CAUTION: There may be a foam insert inside the OGX-FR chassis (between the frame door and card slots). This foam insert **MUST** be removed before powering the unit on. Failure to remove the foam insert will damage your system.

1.0 Installing in a Rack Frame

- Important:** Maintain the following minimum dimensions within the equipment rack:
- Minimum 2" (5.08cm) clearance both right and left sides of the chassis with unrestricted vertical airflow.
 - Minimum 5" (12.7cm) clearance at the chassis rear with unrestricted vertical airflow.

Note: If you do not have the optional FSB-OGX Rear Support Brackets Kit for your OGX-FR, perform only step 2.

Tip: Ensure that your openGear cards, rear modules, and power supplies are fully seated inside the OGX-FR chassis.



2.0 Power Connections

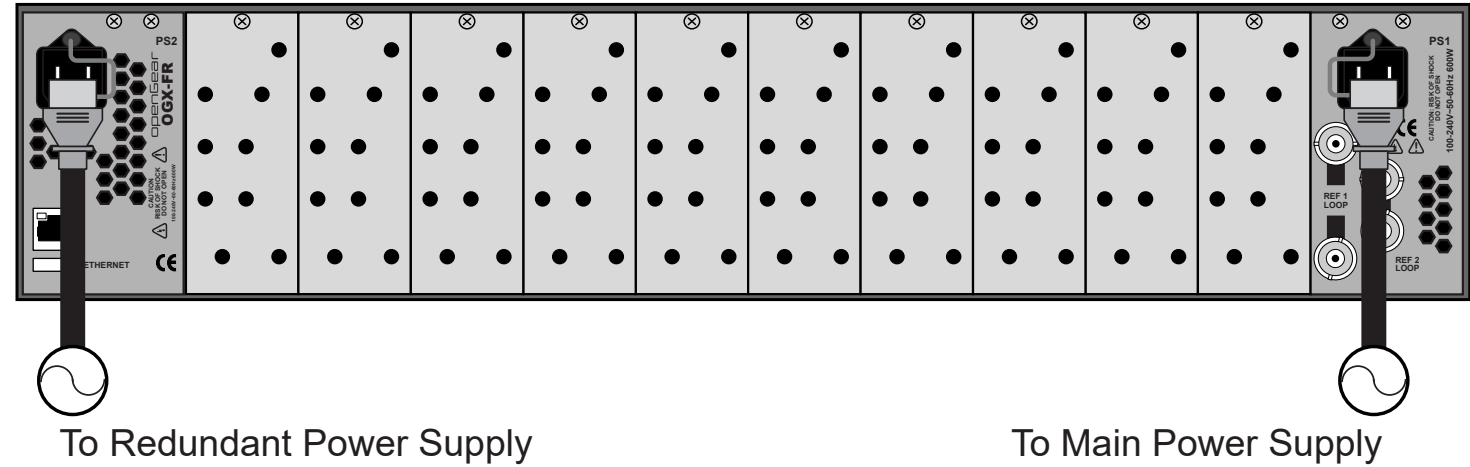


The safe operation of this product requires that a protective ground connection be provided. This protective ground is provided by the grounding conductor in the equipment's supply cord. To reduce the risk of electrical shock to operator and service personnel, this ground conductor must be connected to a properly grounded plug. We recommend measuring ground if unsure.



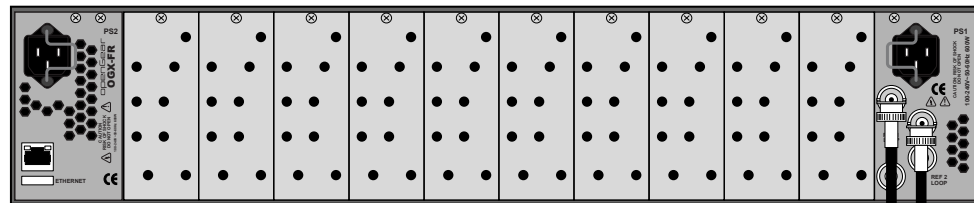
In some countries, it may be necessary to supply the correct mains supply cord. Use only an approved IEC 320 C-13 type A/C line cord rated for a minimum 10A at 250V and certified for the country of use.

Tip: The OGX-FR depicted in this document includes blank plates in the rear module slots. Your frame configuration may differ than what is depicted.



3.0 Reference Cabling

Note: If only one reference type is required for the OGX-FR frame, connect it to the REF 1 BNC. Two reference types enables you to use reference sources with different signal formats, each via a separate REF BNC.



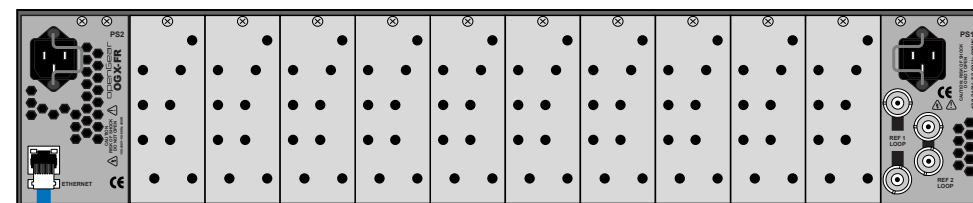
Note: Refer to the user guide for your openGear card(s) for information on the required reference and signal types.

4.0 Network Cabling

The **ETHERNET** port has its RJ45 connector wired as a Network Interface Card (NIC). The following table provides the wiring information based on the type of Network Controller card installed in the OGX-FR.

Frame	Network Card	Network Type
OGX-FR-C	MFC-8322-S	100BASE-TX
OGX-FR-CN	MFC-OG3-N	1000BASE-T
OGX-FR-CNS	MFC-OG3-N	1000BASE-T

Note: Connect the **ETHERNET** port to the same network as your DashBoard client computer or to a network that has a route to the network your DashBoard client computer is on.



To connect to the OGX-FR from DashBoard

Note: The Network Card is pre-configured for DHCP communication. Refer to the user guide for your Network Card for details.

1. Ensure the OGX-FR is powered on.
2. Click File > New > Manual Connection.
3. In the IP Address field, enter the IP address of the Network Card in your OGX-FR chassis.
Tip: The Front Display of the OGX-FR reports the IP Address assigned to the Network Card.
4. Click Detect Settings.
5. Click Finish.



Having a problem? Call our free, 24-hour technical support hotline to speak with a live product specialist located right here in our facility.

Tel: (+1) 613 • 652 • 4886
Email: techsupport@rossvideo.com