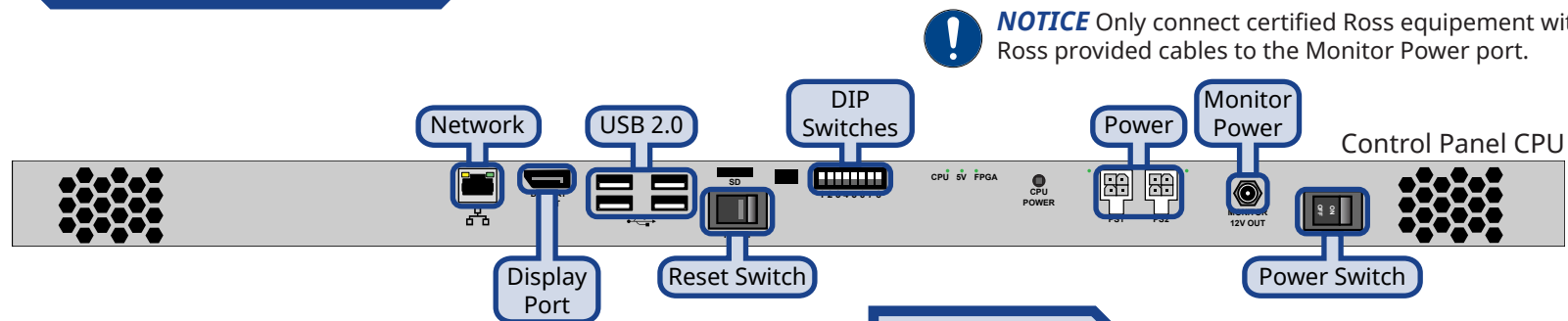


Panel Ports and Connectors



NOTICE Only connect certified Ross equipment with Ross provided cables to the Monitor Power port.

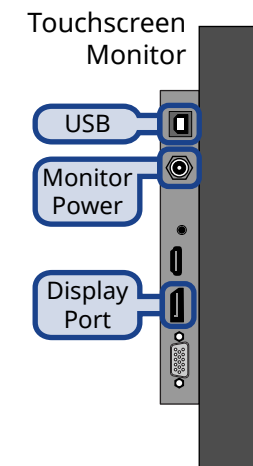
Notes:

- There is an additional USB 3.0 port on the side of the backplash on some panels. The ports on the back of the panel are all USB 2.0.

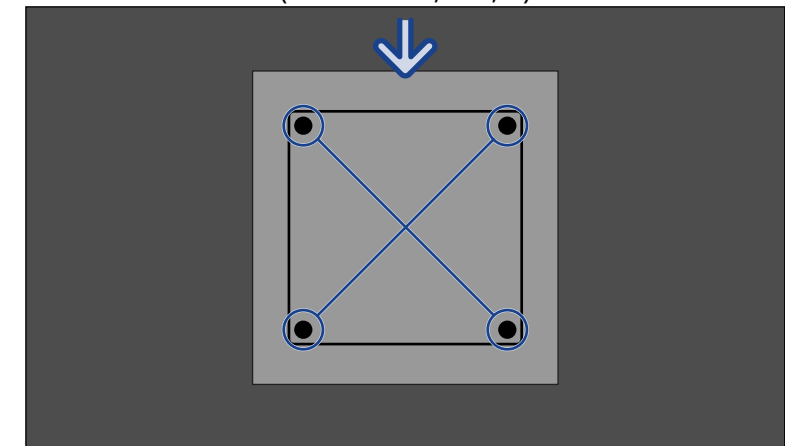
Specifications

Input Voltages		Power Consumption	
All	100 - 120V~	TD1	73W 4.87A 15V
	220 - 240V~	TD2	85W 5.67A 15V
	47-63Hz	TD2S	107W 7.13A 15V
		TD3S	165W 11A 15V

Monitor Ports and Connectors

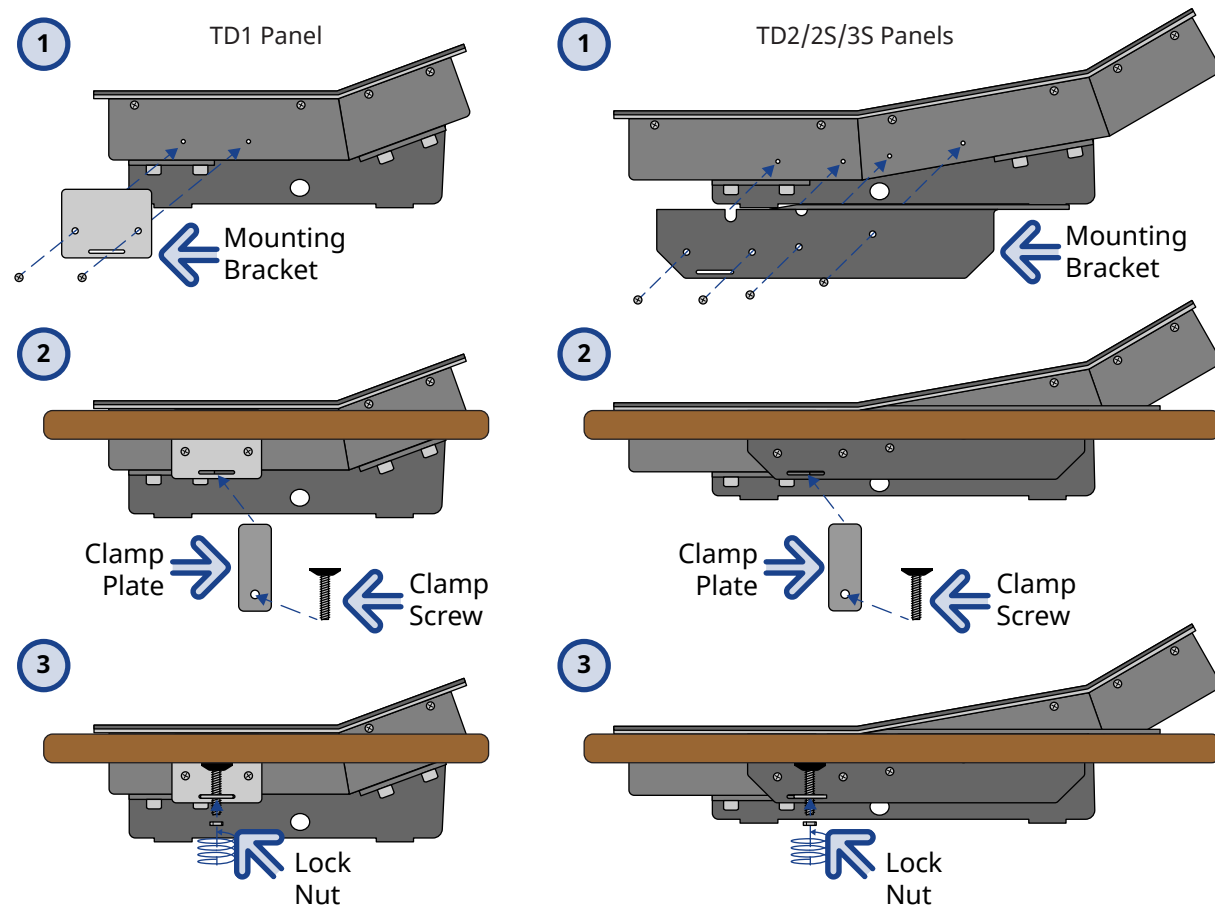


VESA-100 Mount (VESA MIS-D, 100, C)



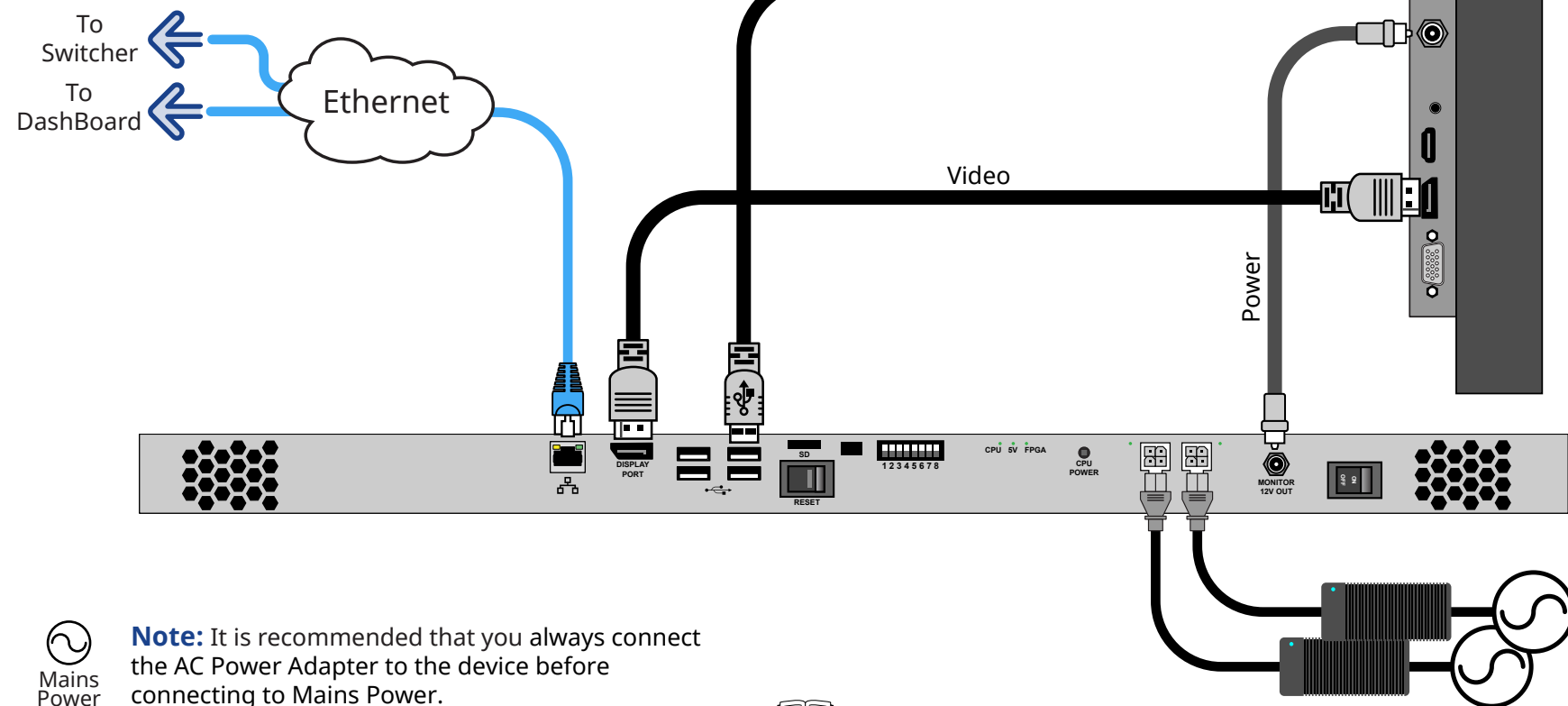
Desk Mounting

Note: The Desk Mounting option is required to properly secure the panel to a desk.



Cabling

CAUTION! Only use the cable provided to connect power to your Touchscreen display from the 12V Monitor port.



Note: It is recommended that you always connect the AC Power Adapter to the device before connecting to Mains Power.



Having a problem? Call our free, 24-hour technical support hotline to speak with a live product specialist located right here in our facility.

Tel: (+1) 613 • 652 • 4886
Email: techsupport@rossvideo.com

