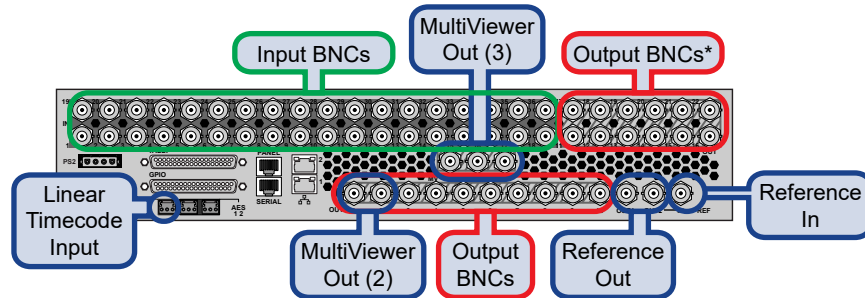
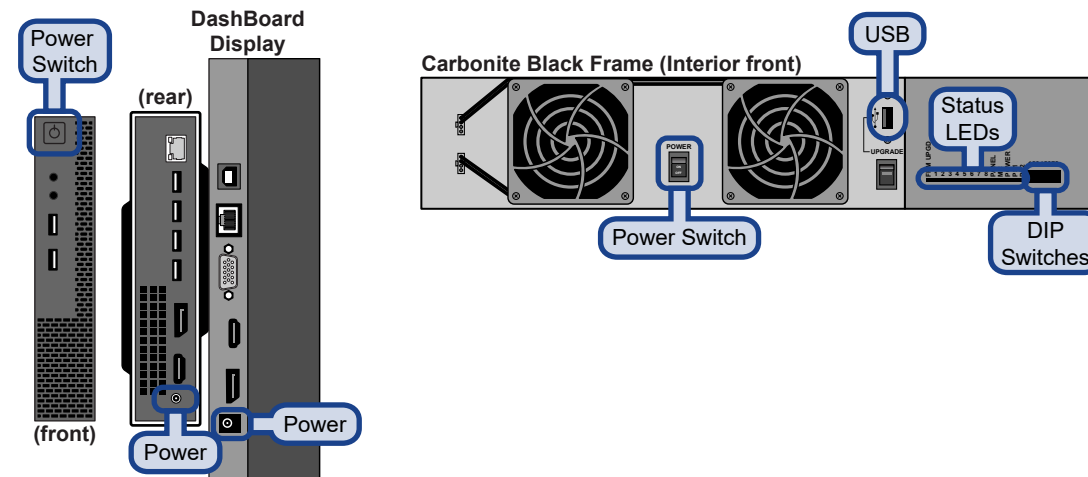


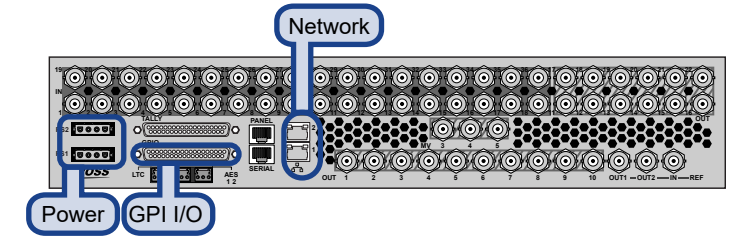
Video Inputs/Outputs/Reference



Power Switch, USB Port, and Diagnostics

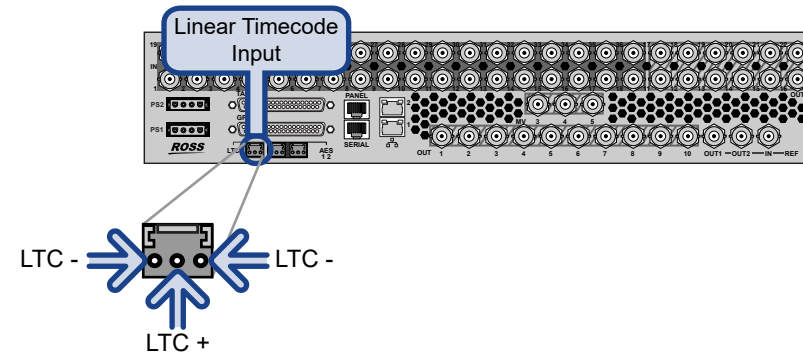


Frame Ports and Pinouts



Note: The tally and serial ports are not supported.

LTC Port



Notes:

- The number of available input and output BNCs depends on the frame you ordered.
- The base MultiViewer is fixed to outputs 1 and 2.
- The 3 additional MultiViewers are fixed to outputs MV3-5.
- Only Media-Store audio can be output on the AES audio outputs. Audio is not embedded in the MultiViewer output.
- Output BNCs* 11-22 have dedicated format converters and color correctors for each BNC.
- The AES audio outputs are not supported.

GPI I/O (female DB37)

Pin	Signal	Pin	Signal
1	GPI I/O 1	20	GPI I/O 20
2	GPI I/O 2	21	GPI I/O 21
3	GPI I/O 3	22	GPI I/O 22
4	GPI I/O 4	23	GPI I/O 23
5	GPI I/O 5	24	GPI I/O 24
6	GPI I/O 6	25	Ground
7	GPI I/O 7	26	GPI I/O 25
8	GPI I/O 8	27	GPI I/O 26
9	GPI I/O 9	28	GPI I/O 27
10	GPI I/O 10	29	GPI I/O 28
11	GPI I/O 11	30	GPI I/O 29
12	GPI I/O 12	31	Ground
13	GPI I/O 13	32	GPI I/O 30
14	GPI I/O 14	33	GPI I/O 31
15	GPI I/O 15	34	GPI I/O 32
16	GPI I/O 16	35	GPI I/O 33
17	GPI I/O 17	36	GPI I/O 34
18	GPI I/O 18	37	--
19	GPI I/O 19		

Specifications

SDI Input Formats	
1080i 59.94Hz	
1080i 50Hz	
1080pSF 23.98Hz	
1080pSF 25Hz	
1080pSF 29.97Hz	
1080p 29.97Hz	
1080p 50Hz Level A	
1080p 59.94Hz Level A	

Default Values	
Frame IP (LAN1)	192.168.0.123
Frame IP (LAN2)	0.0.0.0
FTP User name	user
FTP Password	password

Tally Rating	
Input Voltage:	24VAC (rms) / 40VDC
Maximum Current:	120mA
Impedance:	< 15 ohms

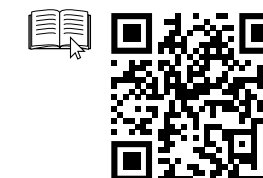
Temperature	
Operating:	0 - 40°C (32 - 104°F)
Storage:	-20 - 85°C (-4 - 185°F)

Input Voltages	
Panel/Frame	100 - 120V~
	220 - 240V~
	47-63Hz

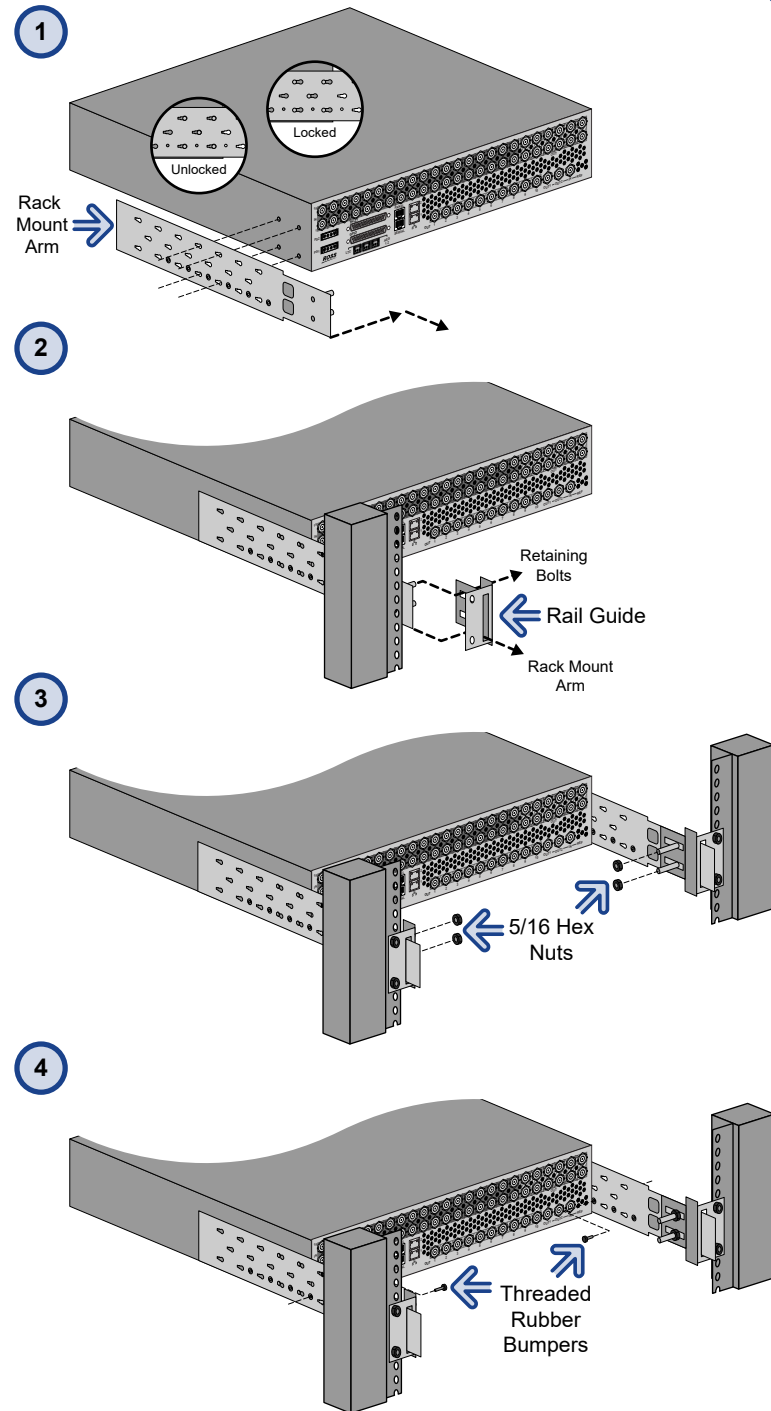
Power Consumption	
x36+ Frame	180W 3.75A 48V

Video Input Specifications	
Equalization	>100m at 1.5 Gb/s
(using Belden 1694 cable)	>300m at 270 Mb/s (5°-40°C)
Impedance	75 ohm, terminating
Video Inputs, SDI	SMPTE 259M/292M serial digital (non-looping)
Reference Inputs	Standard Definition — analog black (non-terminating, looping)
	High Definition — tri-level sync

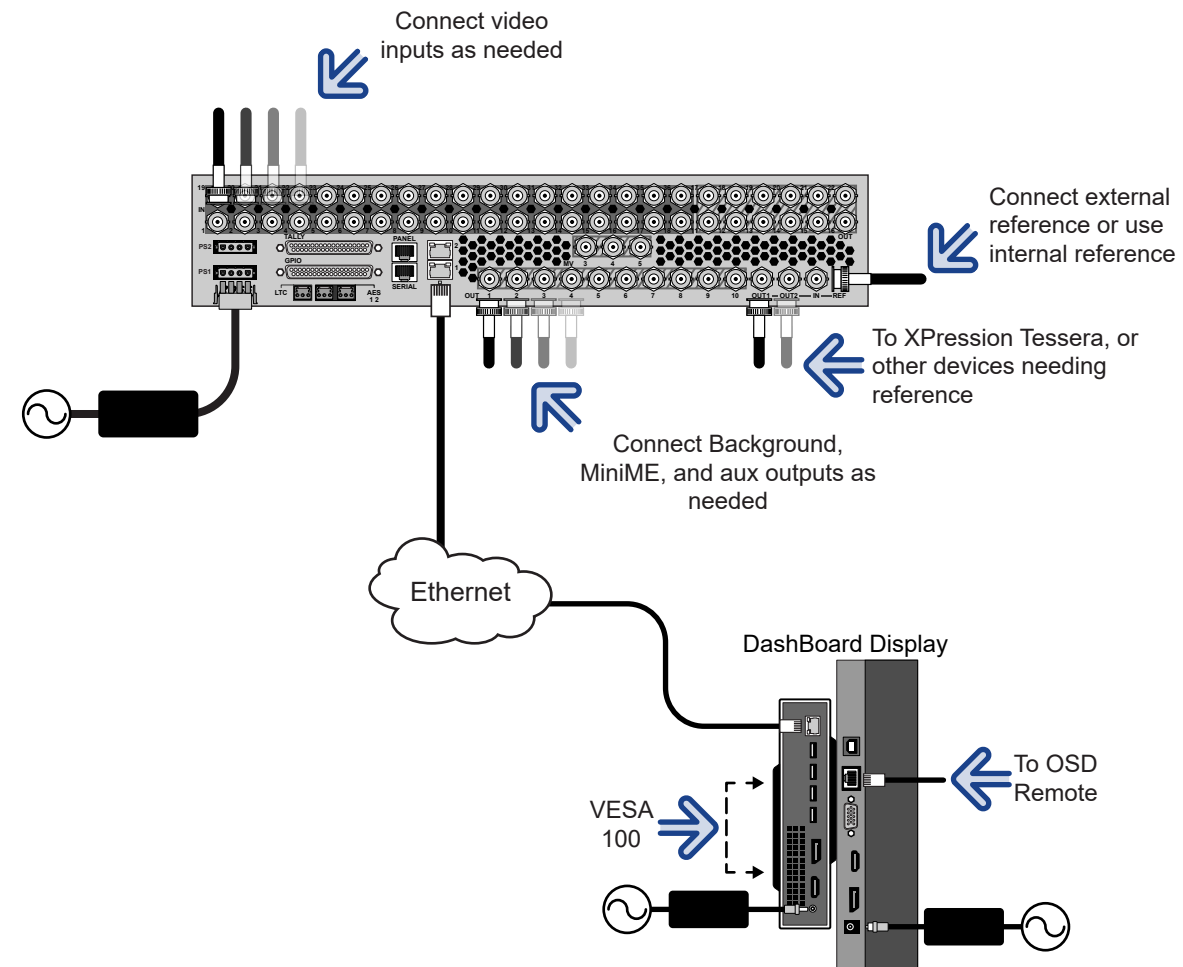
Video Output Specifications	
Return Loss	< -23dB at 1.5GHz
	< -18dB at 3GHz
Rise and Fall Time	240ps +/- 10% (HD)
Signal Level	800mV +/- 10%
DC Offset	0 Volts
Overshoot	< 10%
HD Mode	10-bit SMPTE-292M serial digital



Rack Mounting

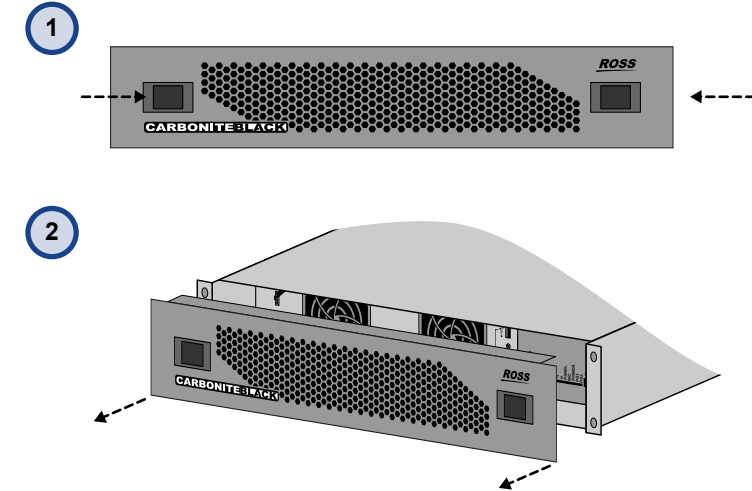


Power and Control Cabling



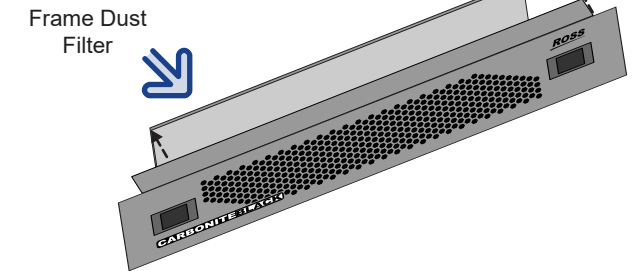
Note: It is recommended that you always connect the AC Power Adapter to the device before connecting to Mains Power.

Frame Door Opening



Frame Dust Filter

Remove frame door before cleaning the dust filter.



Note: The Dust Filter located inside the frame door should be kept clean and free of dust buildup to ensure proper cooling of the frame. Always ensure that the Dust Filter is covering all the holes in the door.



Having a problem? Call our free, 24-hour technical support hotline to speak with a live product specialist located right here in our facility.

Tel: (+1) 613 • 652 • 4886

Email: techsupport@rossvideo.com