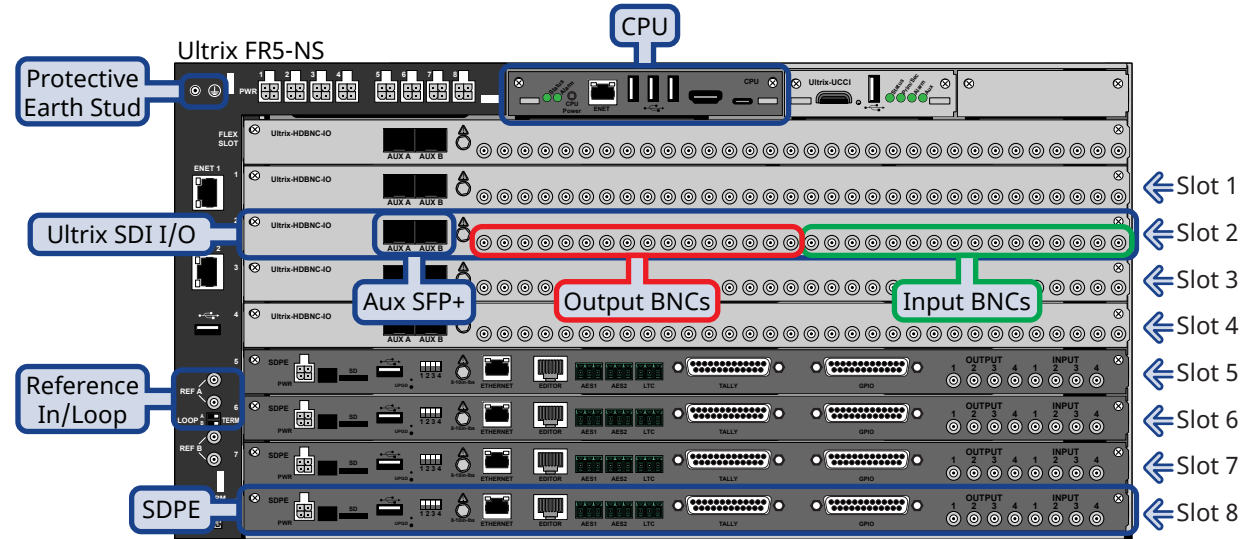


Ultrix FR5-NS Frame

NOTICE Adequate ventilation within a rack frame must be maintained. Ensure side to side ventilation is not compromised. Refer to the Ultrix Installation Guide for more information.

Notes:

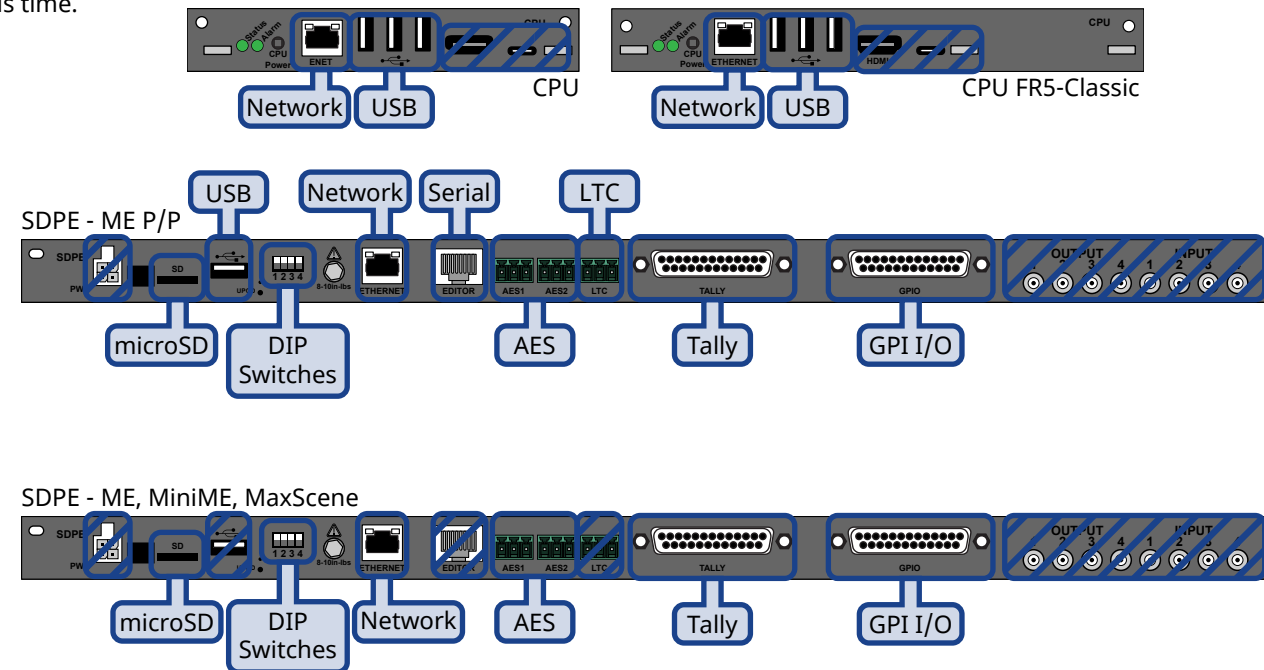
- Each HyperMax system must include an SDPE configured as ME P/P that controls the switcher.
- Aside from ME P/P, any SDPE blade can be added to the switcher and configured as a MaxME, MaxMini, or MaxScene to provide the required resources.
- The switcher uses the Reference input to Ultrix for timing.
- The Input and Output HD-BNCs on the SDPE blades are not used at this time.
- The various Ultrix I/O blades are used to provide the sources and destinations that the switcher can access.
- A system can support up to 8 SDPE blades. An ME P/P plus 7 configurable SDPE blades.
- A 1GbE ethernet connection is required for Ultrix.
- An Ultricool may be required, depending on your installation.
- The Protective Earth Stud may not be present on all frames.



Note: The placement of the SDPE blades can vary depending on your configuration and requirements.

HyperMax Switcher

Not Used at this time.



Notes:

- The switcher is made up of a single CPU board, a controller SDPE blade (ME P/P), and a number of additional SDPE blades providing switcher resources.
- A single SDPE can be configured as a MaxME, MaxMini, or MaxScene.
- Only the SDPE blade configured as ME P/P has access to the USB drive, Serial port, and LTC port.
- On the SDPE blades, the Input/Output HD-BNCs are not used at this time.
- All SDPE blades must be connected to the same subnet as the CPU.

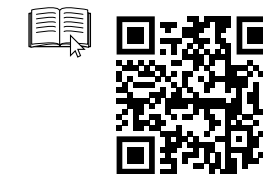
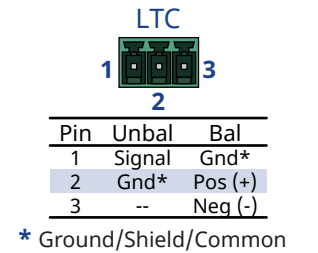
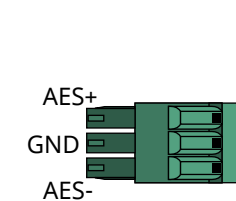
Tally (female DB25)

Pin	Tally	Pin	Tally
1	1	14	14
2	2	15	15
3	3	16	16
4	4	17	17
5	5	18	18
6	6	19	19
7	7	20	20
8	8	21	21
9	9	22	22
10	10	23	23
11	11	24	24
12	12	25	Common
13	13		

GPI I/O (female DB25)


Pin	GPI	Pin	GPI
1	I/O 1	14	I/O 14
2	I/O 2	15	I/O 15
3	I/O 3	16	I/O 16
4	I/O 4	17	I/O 17
5	I/O 5	18	I/O 18
6	I/O 6	19	I/O 19
7	I/O 7	20	I/O 20
8	I/O 8	21	I/O 21
9	I/O 9	22	I/O 22
10	I/O 10	23	I/O 23
11	I/O 11	24	I/O 24
12	I/O 12	25	Ground
13	I/O 13		


Note: Tallies and GPIs are identified by the SDPE blade they are located on and their GPI or Tally number.




CARBONITE HyperMax

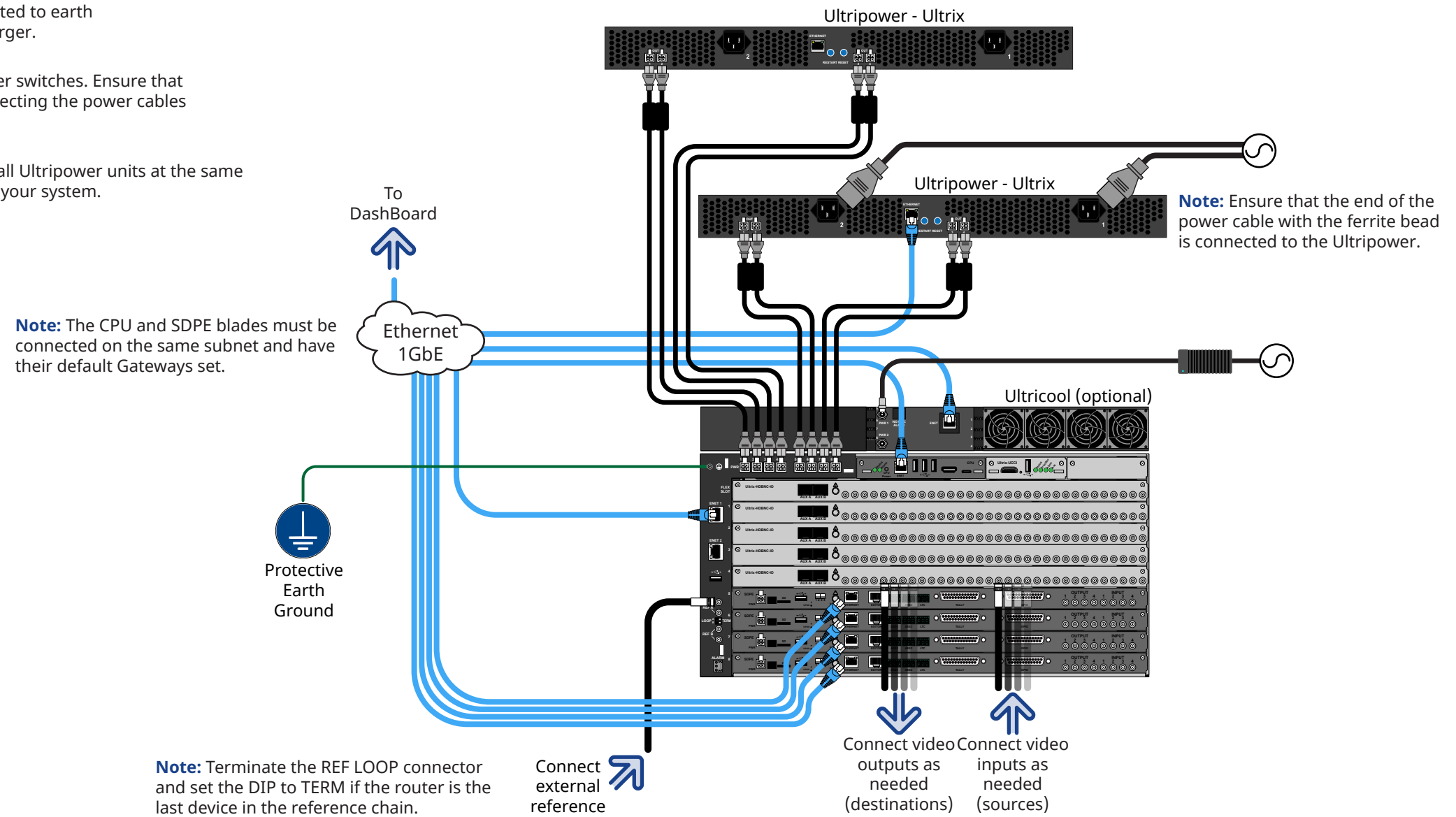
Power and Cabling


 Read the instruction manual for your Ultripower and Ultrix FR5-NS before starting work or operating equipment.

 **CAUTION!** Risk of electrical shock. Enclosure shall be connected to earth ground via protective earth stud and 18AWG conductor or larger.

 **NOTICE** The Ultrix frame, and SDPE blades do not have power switches. Ensure that the Ultripower is not connected to mains power before connecting the power cables from the Ultripower to the Ultrix.

Tip: You can use Ultripower groups and Manager to control all Ultripower units at the same time. Refer to the Ultripower documentation that came with your system.



 Having a problem? Call our free, 24-hour technical support hotline to speak with a live product specialist located right here in our facility.

Tel (North America): 1-844-652-0645
Tel (International): +800 1005 0100
Email: techsupport@rossvideo.com

ROSS