



Warning Hazardous Voltage: Hazardous voltages are present in the control panel as long as any of the power supplies are connected to the AC power.

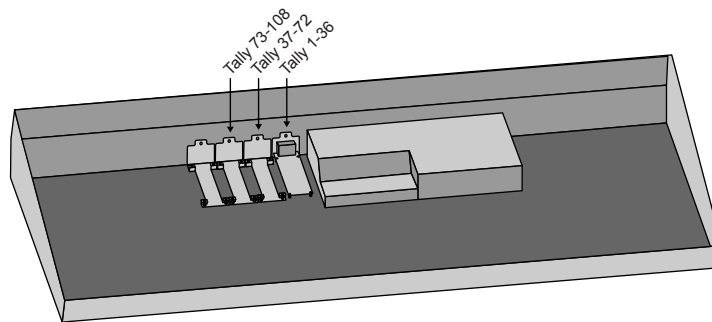
1

Power down the control panel and disconnect the AC power.

2

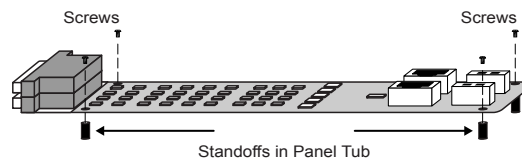
Locate the slot for the Tally board you want to install and remove the four (4) screws from the blank plate and remove it from the slot.

The Tally boards must be installed in order; 37-72, and then 73-108.



3

Align the Tally board with the ports out the hole in the back of the tub and the four (4) screw holes with the standoffs on the bottom of the tub. Install the screws.

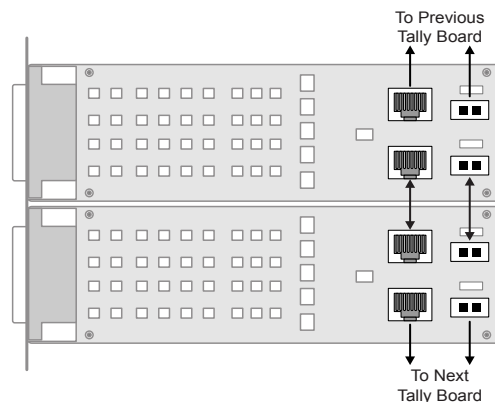


4

Connect one end of the interface cable to the Tally board you are installing, and connect the other end to the previous Tally board already installed in the control panel.

5

Connect one end of the power cable to the Tally board you are installing and connect the other end to the previous Tally board already installed in the control panel.



ROSS