

3G Video Processor Installation



CAUTION: Before you service your switcher, see the "Important Safety Instructions" in your Setup Manual.



ESD Susceptibility: Use antistatic precautions when touching electrical circuitry.

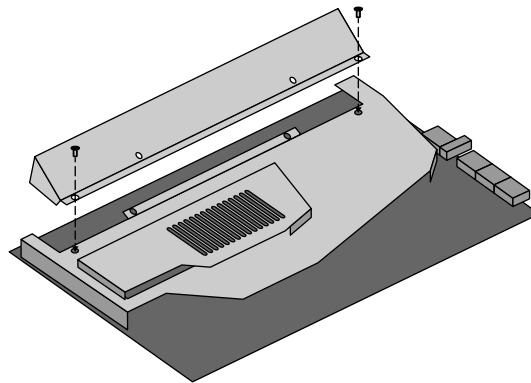
1

Remove the frame door and turn OFF frame power.

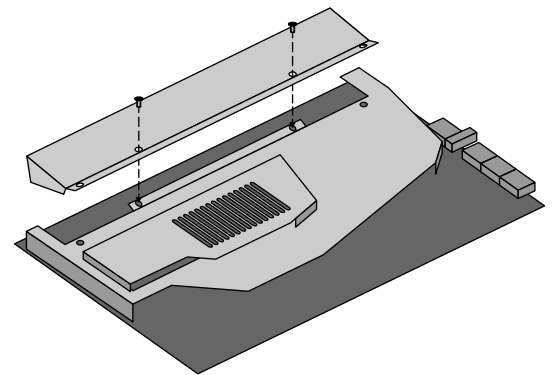
2

Depending on the frame you have, you may have to adjust the position of the air deflector on the 3G Video Processor.

- Acuity 8RU = Up Position
- Acuity 4RU = DOWN Position



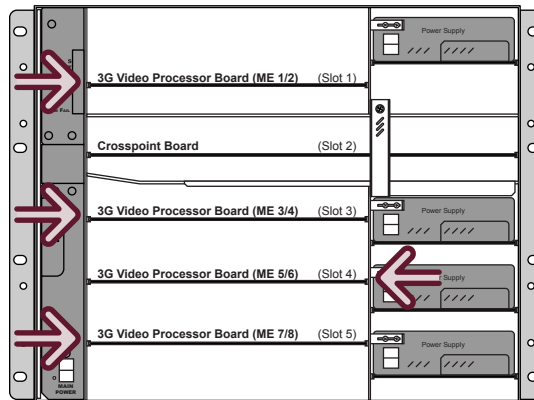
UP Position



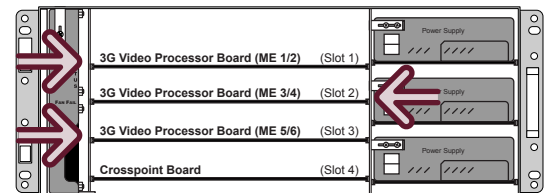
DOWN Position

3

Install the 3G Video Processors into the slots.



8RU



4RU

