



**CAUTION:** Before you service your switcher, see the "Important Safety Instructions" in your Setup Manual.



**ESD Susceptibility:** Use antistatic precautions when touching electrical circuitry.

1

Press **Home > Setup > Installed Options > Frame Boards** and find the **Video Processor Board 4800AR-043** that you want to install the 3D DVE Channel card on. If the HW Rev. of the board is 3 or lower you must contact Ross Video Technical support. Only boards of revision 3B or higher can be upgraded with the 3D DVE option.

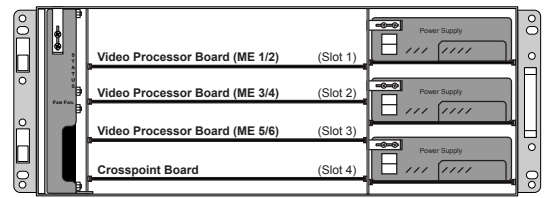
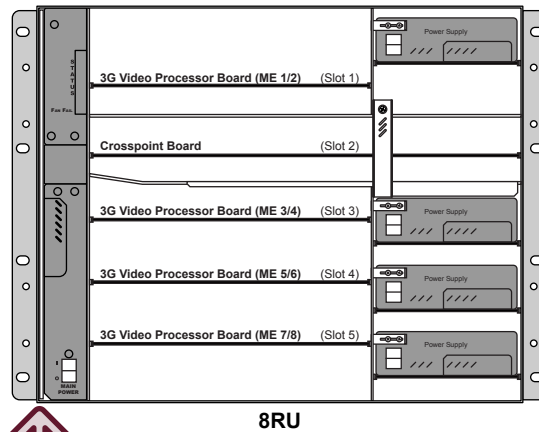
2

Remove the frame door and turn OFF frame power.

3

Remove the old frame filter and replace it with the new high-flow filter (4410AR-217-xx or 4810AR-214-xx) provided in the upgrade kit.

**Note:** The "THIS SIDE UP" label on the end of the filter shows the proper installation orientation.

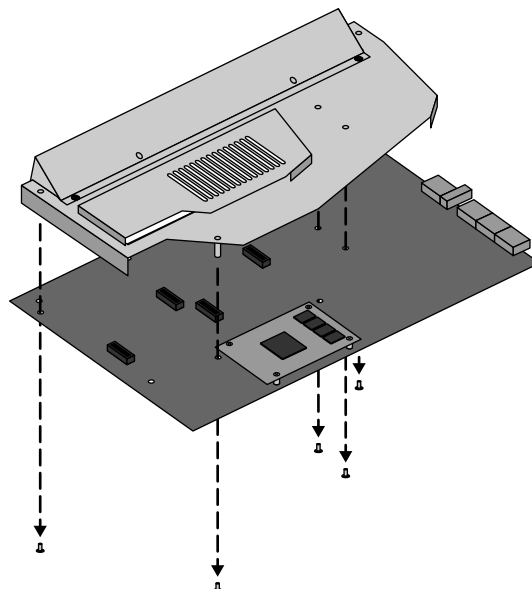


4

Remove the 3G Video Processor board for the ME that you are installing the 3D DVE Channel card for. The slot that the board is installed in defines the ME it supports.

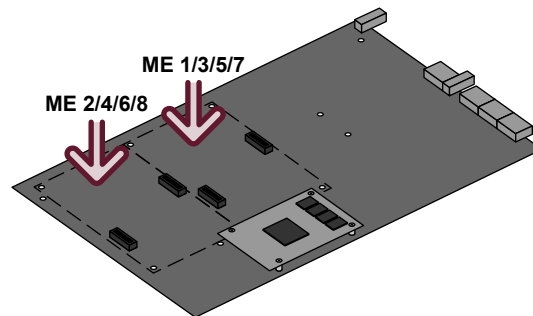
5

Remove the five (5) screws securing the air deflector to the board and remove the air deflector.



6

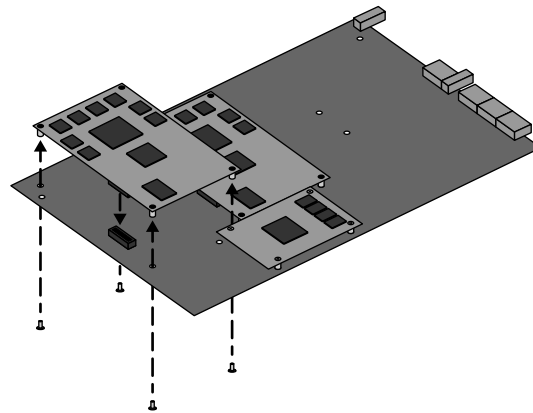
Identify the location for the ME on the 3G Video Processor board that you are installing the 3D DVE Channel card for.



**Tip:** If the 3G Video Processor board is from Slot 1, the location at the front of the board is for ME 2 and the location at the back (towards the midplane) is for ME 1.

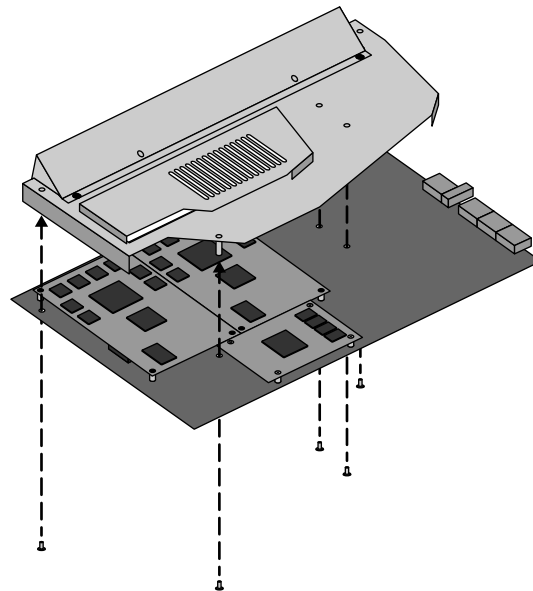
7

Align the two (2) connectors on the bottom of the 3D DVE Channel card with those on the 3G Video Processor board and firmly seat the card onto the board.



8

Secure the card onto the board using the four (4) screws provided.



9

Reinstall the air deflector onto the 3G Video Processor board.

10

Insert the 3G Video Processor board back into the frame and power the frame on. The 3D DVE Channel card(s) will appear on the System Info page of the Web Interface.