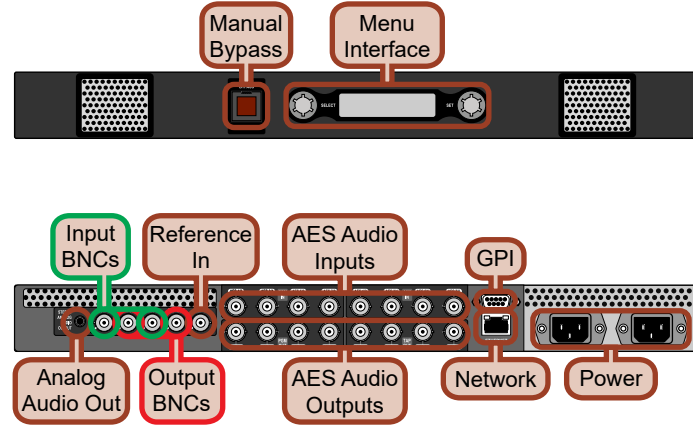


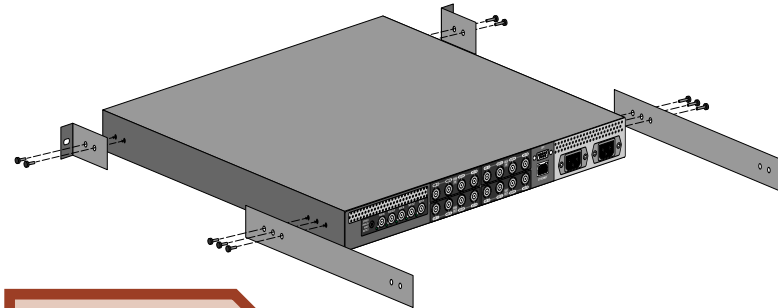
Ports & Menu Interface



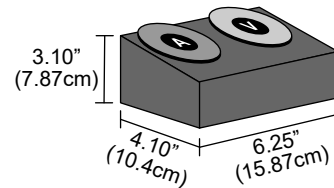
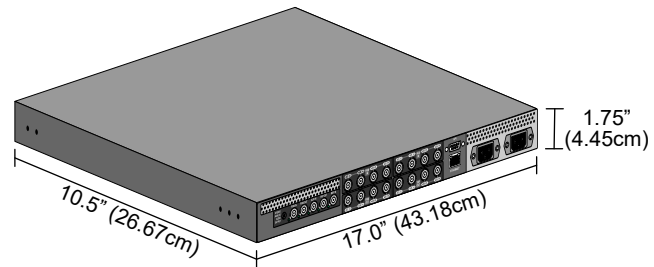
Rack Mounting

Notes:

- Ensure proper ventilation at the front and back of the chassis for active cooling. Cool air is drawn in the front and exhausted out the back.



Specifications



Default Values	
Frame IP	192.20.200.240
FTP User name	root
FTP Password	Netsilicon

Input Voltages	
	100 to 240V~
	3 to 1.5A
	60 to 50Hz

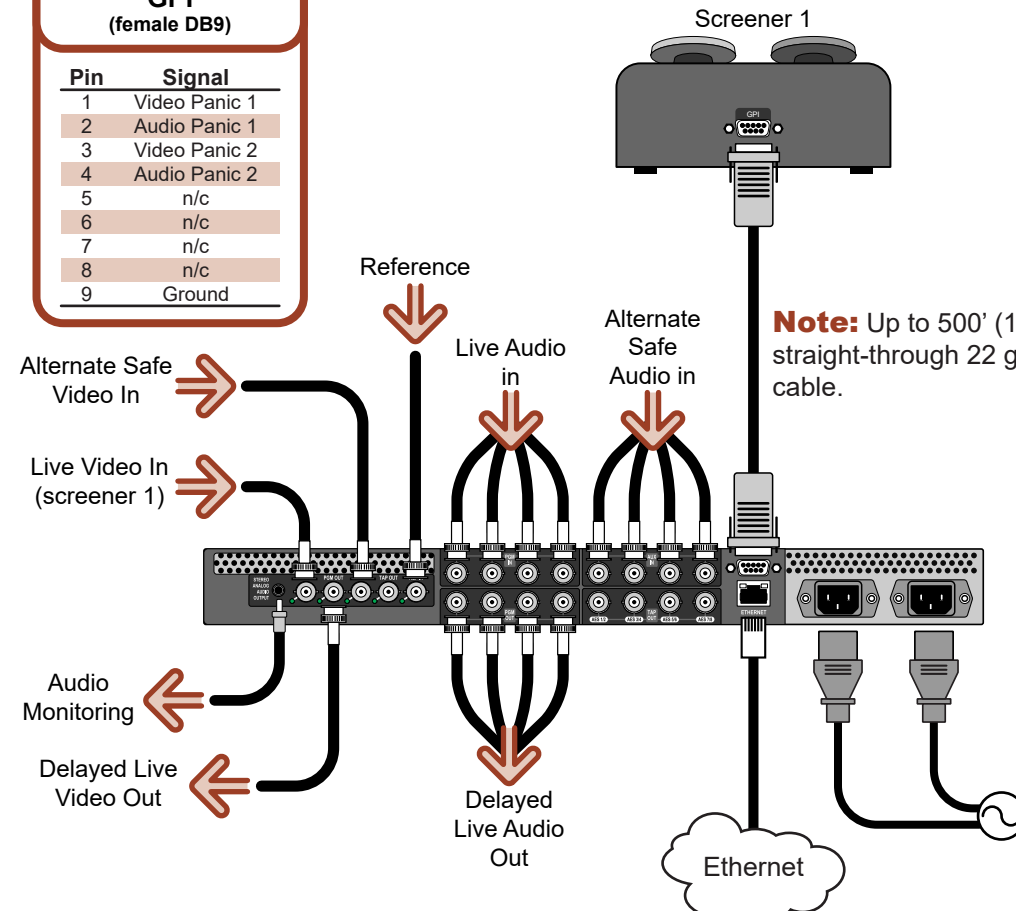
Operating Environment	
Temperature:	20 - 35°C (68 - 95°F)
Humidity:	20 - 80%

Video/Audio Input Specifications	
Video Inputs, HD-SDI	SMPTE 292M 10-bit at 1.5Gb/s
Video Inputs, SD-SDI	SMPTE 259M 10-bit at 270Mb/s
Embedded Audio, HD	16 Tracks, AES/EBU 48kHz at 24-bit, 8 tracks (4 stereo pairs) per PGM IN/AUX IN.
Embedded Audio, SD	16 Tracks, AES/EBU 48kHz at 24-bit, 8 tracks (4 stereo pairs) per PGM IN/AUX IN.

Video/Audio Output Specifications	
Video Outputs, HD-SDI	SMPTE 292M 10-bit at 1.5Gb/s
Video Outputs, SD-SDI	SMPTE 259M 10-bit at 270Mb/s
Embedded Audio, HD	16 Tracks, AES/EBU 48kHz at 24-bit, 8 tracks (4 stereo pairs) per PGM OUT/TAP OUT.
Embedded Audio, SD	16 Tracks, AES/EBU 48kHz at 24-bit, 8 tracks (4 stereo pairs) per PGM OUT/TAP OUT.
Analog Audio Monitoring	3.5mm headphone connector, unbalanced, line-level at -10dBv, 2 Tracks (1 stereo pair), user selectable to monitor any in/out

1 Screener Cabling

GPI (female DB9)	
Pin	Signal
1	Video Panic 1
2	Audio Panic 1
3	Video Panic 2
4	Audio Panic 2
5	n/c
6	n/c
7	n/c
8	n/c
9	Ground



Note: Up to 500' (152m) straight-through 22 gauge cable.

Note: It is recommended that you always connect the AC Power Adapter to the device before connecting to Mains Power.

2 Screener Cabling

