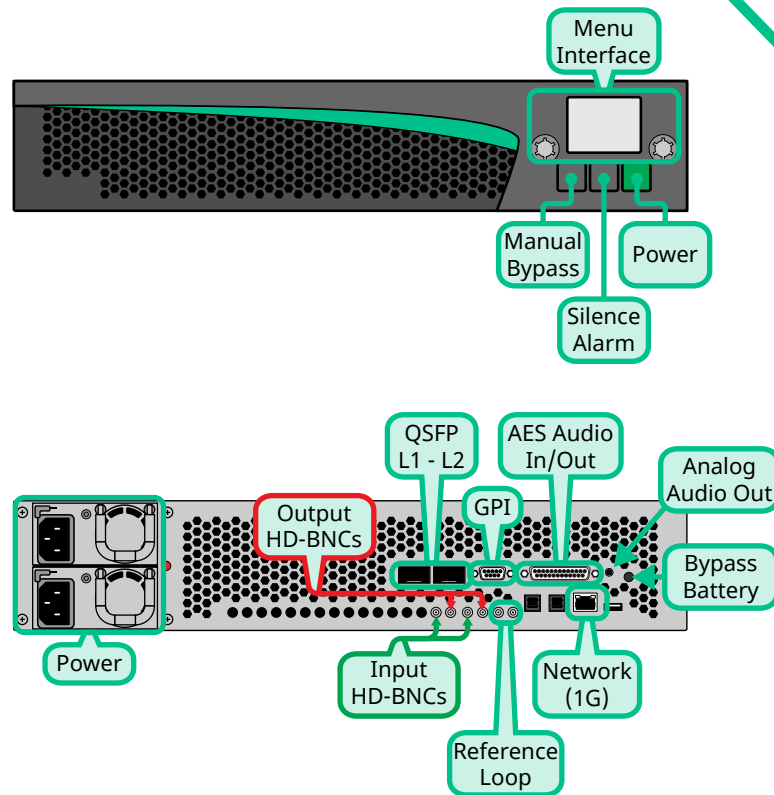
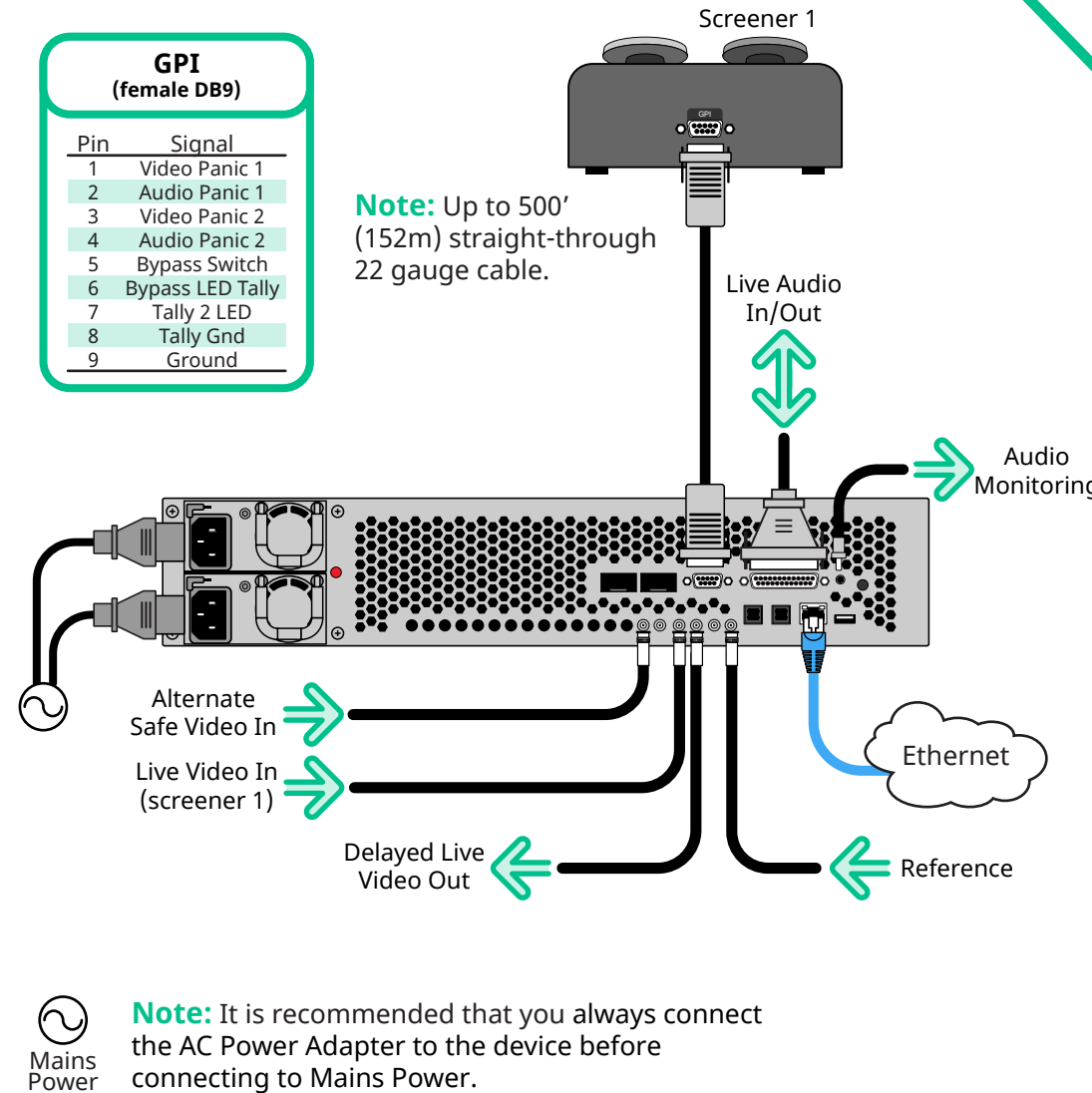


## Ports & Menu Interface



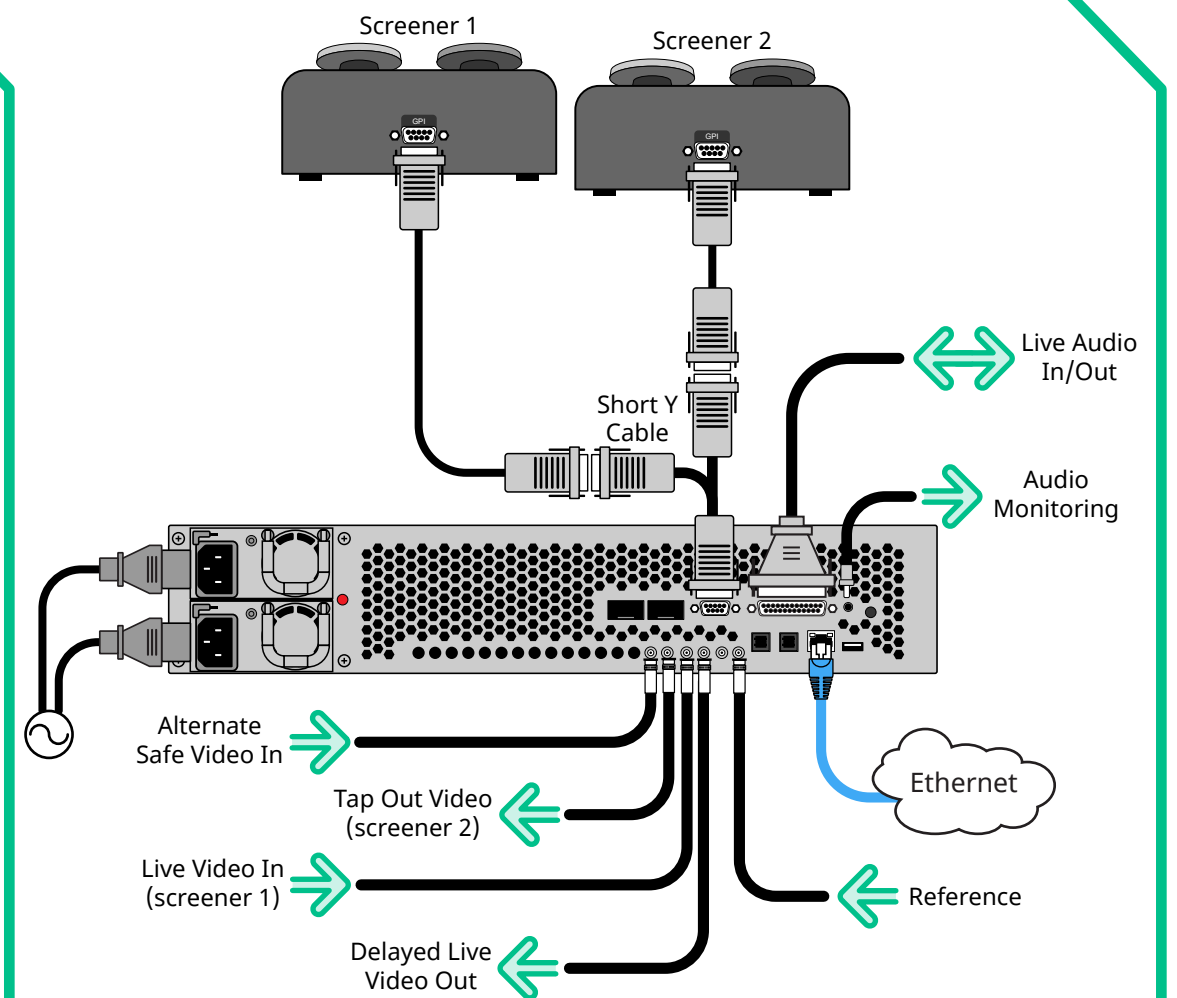
## 1 Screener Cabling

GPI (female DB9)	
Pin	Signal
1	Video Panic 1
2	Audio Panic 1
3	Video Panic 2
4	Audio Panic 2
5	Bypass Switch
6	Bypass LED Tally
7	Tally 2 LED
8	Tally Gnd
9	Ground

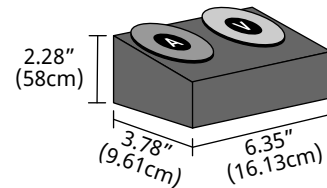
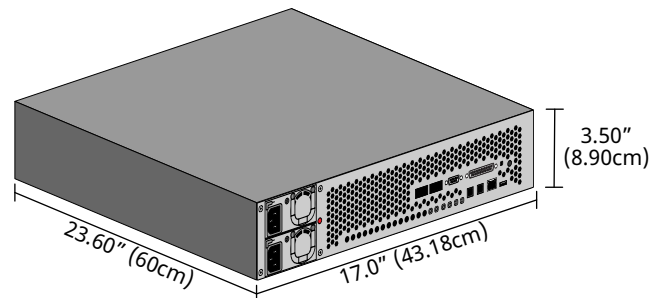


**Note:** It is recommended that you always connect the AC Power Adapter to the device before connecting to Mains Power.

## 2 Screener Cabling



## Specifications



Default Values	
Frame IP	192.168.0.1
FTP User name	root
FTP Password	Netsilicon
Input Voltages	
100 to 240V~	
8 to 4A	
47 to 63Hz	
Operating Environment	
Temperature:	20 - 35°C (68 - 95°F)
Humidity:	20 - 80%

Video/Audio Input Specifications	
Video Inputs, SDI	UHD (12Gb/s): SMPTE ST-2082 HD (3Gb/s): SMPTE 424M HD (1.5Gb/s): SMPTE 292M
Embedded Audio	16 Tracks, AES/EBU 48kHz at 24-bit per SDI input
AES Digital Audio (TASCAM/AES-59)	8 Tracks (4 stereo pairs), AES/EBU 48kHz at 24-bit

Video/Audio Output Specifications	
Video Outputs, SDI	UHD (12Gb/s): SMPTE ST-2082 HD (3Gb/s): SMPTE 424M HD (1.5Gb/s): SMPTE 292M
Embedded Audio	16 Tracks, AES/EBU 48kHz at 24-bit per SDI input
AES Digital Audio (TASCAM/AES-59)	8 Tracks (4 stereo pairs), AES/EBU 48kHz at 24-bit
Analog Audio Monitoring	3.5mm headphone connector, unbalanced, line-level at -10dBv, 2 Tracks (1 stereo pair), user selectable to monitor any in/out

