

Rack Mounting

1

Rack Mount

Unpack and use the supplied rack mount kit to mount your server in a 19" wide by 30" deep EIA equipment rack.

*The supplied rack mount kit **MUST** be used to mount your server in a 19" x 30" EIA equipment rack to avoid damaging the server.*

2

Power

Connect an AC power cord to each AC port on the server and then to the main power source.

The server power supplies are auto-sensing and can use either 110 VAC or 220 VAC. Servers are equipped with two power supplies in a redundant configuration. Only one power supply is required to run the server.

Peripheral Cabling

3

Keyboard and Mouse

3a Plug the supplied keyboard into the USB port on the back of the server.

3b Plug the supplied mouse into the USB port on the front of the server.

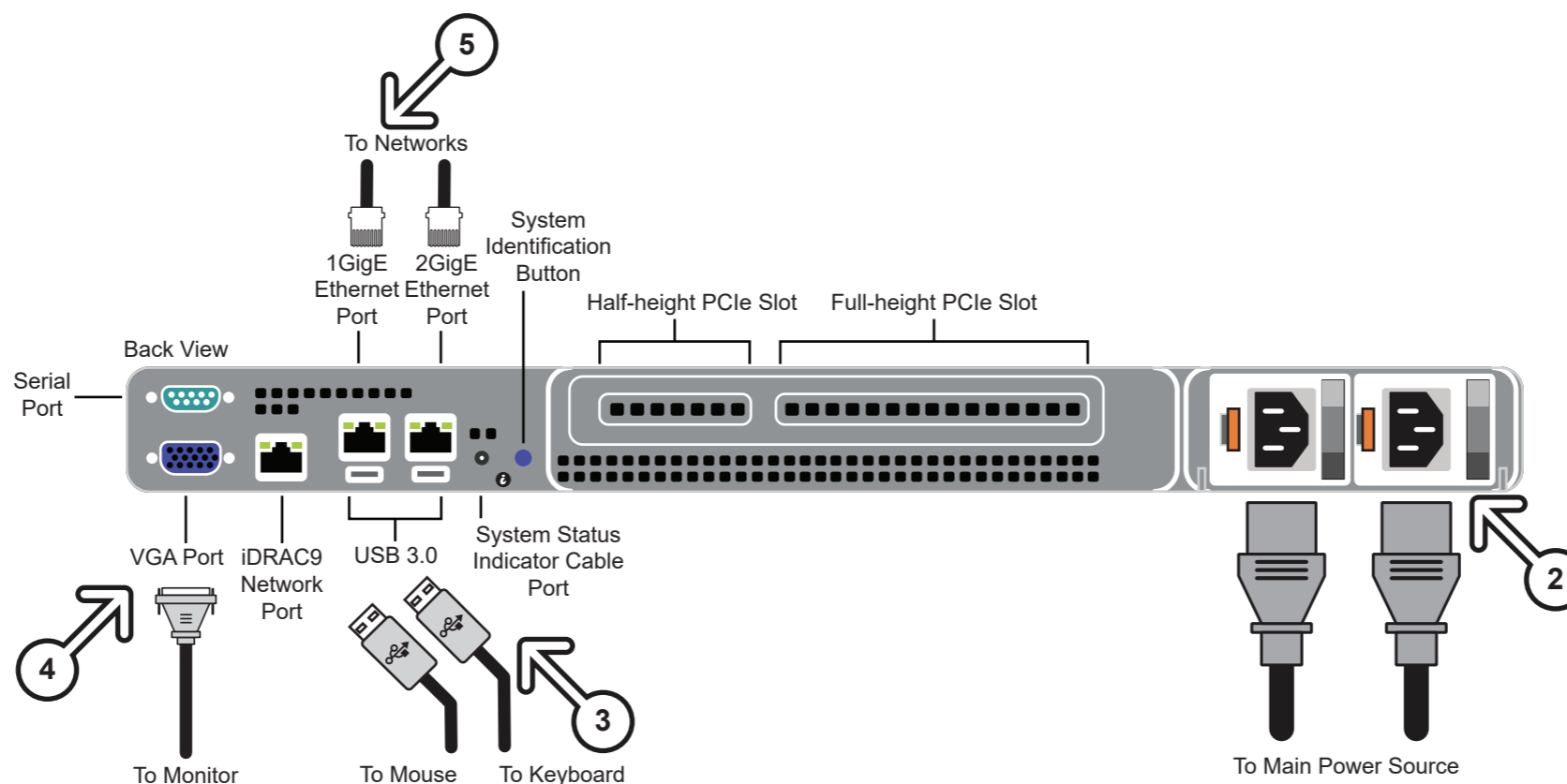
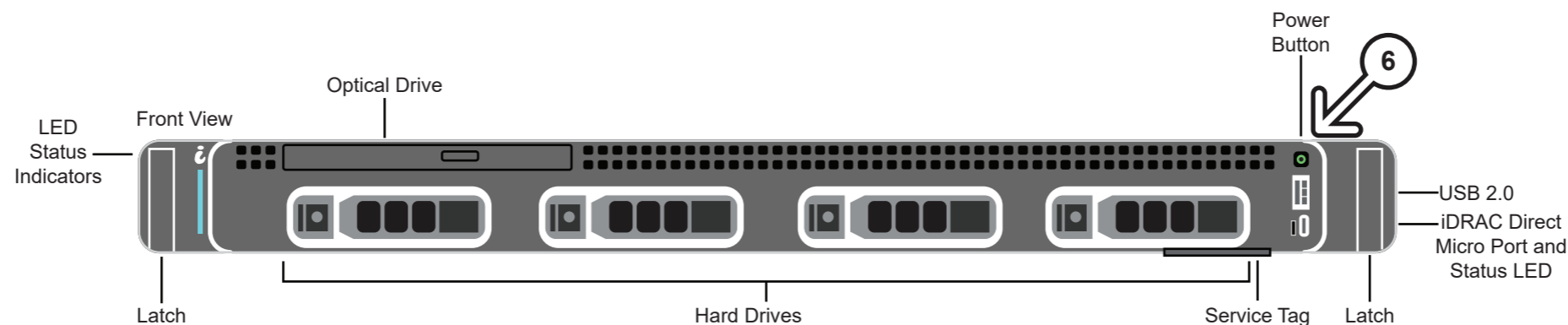
Note: KVM extenders (customer supplied) are required when the server keyboard, and mouse are located remotely from the rack room.

4

Monitor

Connect a monitor (customer supplied) to the VGA port using a VGA cable.

Note: KVM extenders (customer supplied) are required when the server monitor is located remotely from the rack room.



Network Cabling

5

Local Area Network

Plug an Ethernet cable from your Local Area Network into the right Ethernet port on the back of the server. The port on the right is 1 GigE and port on the left is 2GigE.

Note: The server must be connected to the same network as the switcher frame and devices.

Startup

6

Power Up

Press the power button on the front of the server.

The server startup process includes drive initialization, which takes a few minutes to complete.

Note: Ross Video recommends shutting down the server only from the Windows operating system.

7

Log On and Server Start

Use the following account information to log on to the server.

User Name: RossVideo
Password: P@ssw0rd

?

Need Help?

Technical Support:

North America (Toll free) +1 844 • 652 • 0645
EMEA (Toll free) +800 • 1005 • 0100
techsupport@rossvideo.com