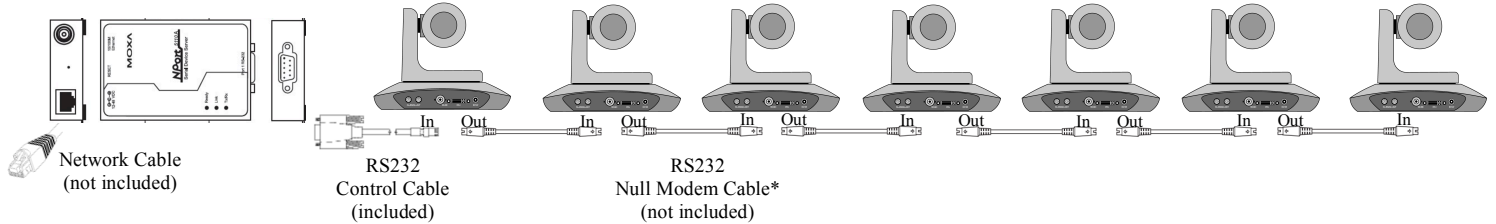


Cabling and Control

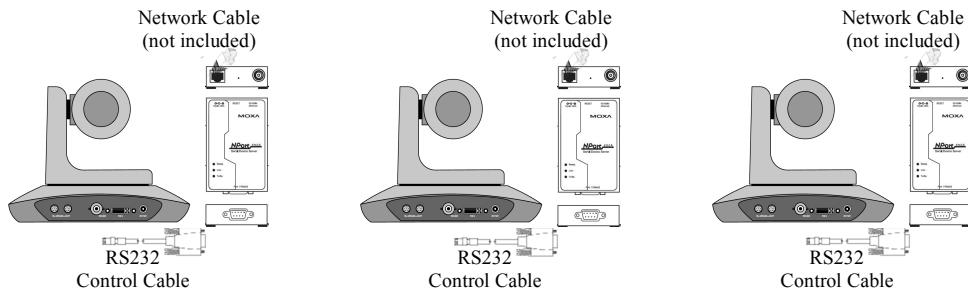
RS-232

Multiple cameras can be connected via the VISCA RS-232 terminal. VISCA RS-232 allows connections of up to 15m in length.

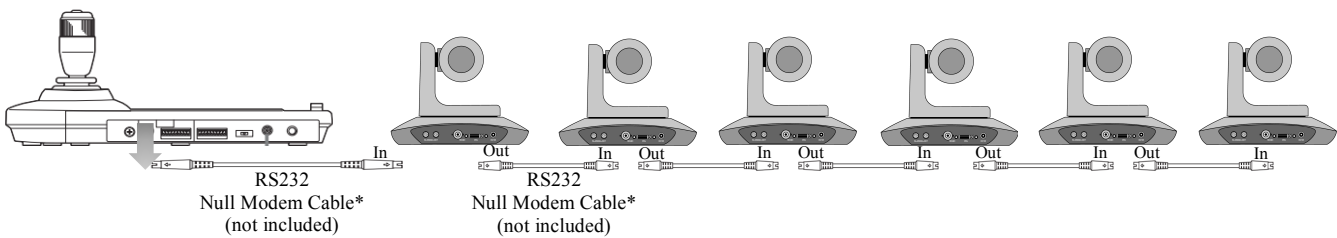
Option 1: Daisy chain up to 7 PIVOTCams with 1 serial to ip converter.



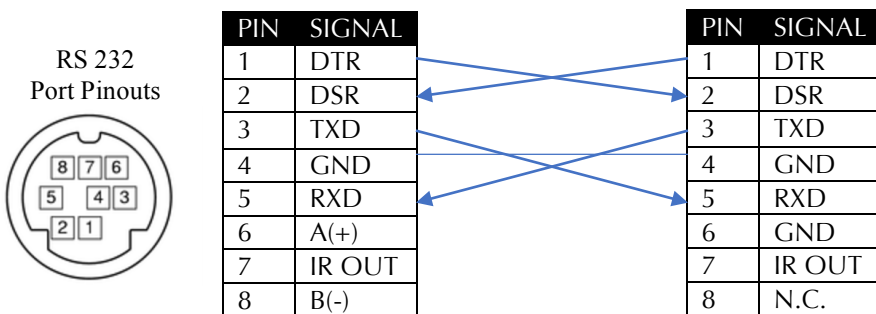
Option 2: Designate each PIVOTCam an unique IP address with a serial to ip converter.



Option 3: Utilize an RS232 Visca controller.



*Null Modem Cable Pinout:



Note: This cable is 4 pieces:
 1-A 'straight' RJ45 to DIN cable
 2-A 'null-modem like wired' RJ45 to DIN cable
 3-Two RJ45 to RJ45 connectors.