

Introduction — Start Here!

1 About This Quick Start Guide
 This Quick Start Guide describes how to set up the SmartShell Computer, the Touch-Screen Monitor, and the SmartShell Joystick Panel.
 This document applies only to the Standalone SmartShell Control Station, which includes the SmartShell robotic control application (v4.4 or higher) and the Robotics Server application running on a single Dell OptiPlex XE3 Tower computer.

Component Installation

2 SmartShell Computer
 Unpack the SmartShell computer (Dell OptiPlex XE3 Tower), mouse, and keyboard. Position them at the operator's workstation such that:

- The computer is on a sturdy, flat surface accessible to the operator.

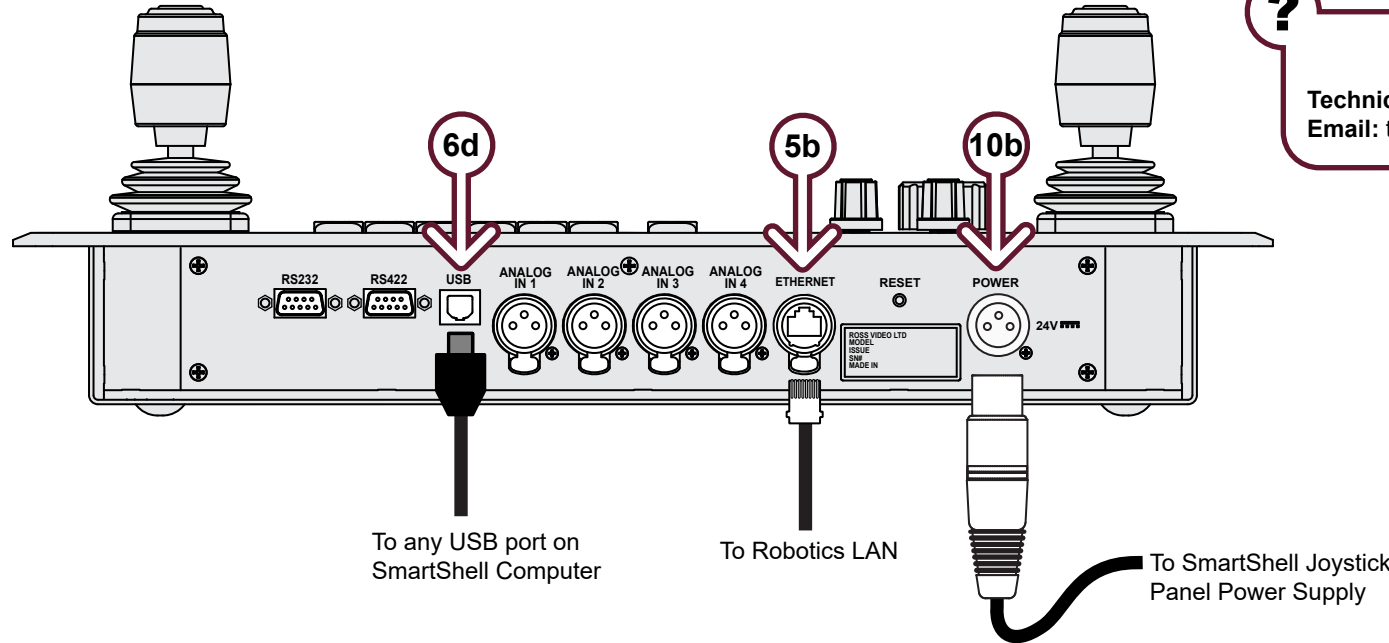
Tip: The computer can be installed in a tower (upright) position, or in a desktop (horizontal) position.

- The computer's power cable connector does not press against a wall or other object.
- Airflow around the computer is not obstructed.
- The computer's optical drive tray has space to open.
- The mouse and keyboard are within comfortable reach of the operator.

3 SmartShell Touch-Screen Monitor
 Unpack the Touch-Screen Monitor (Dell P2418HT, not shown), and position it at the operator's station. SmartShell is a touch-screen application, so ensure that the monitor is within easy reach of the operator.
 You can mount the monitor on its stand, or on a wall using appropriate mounting hardware (not included).
 For more information about mounting options, see the Dell setup guide included with the monitor.

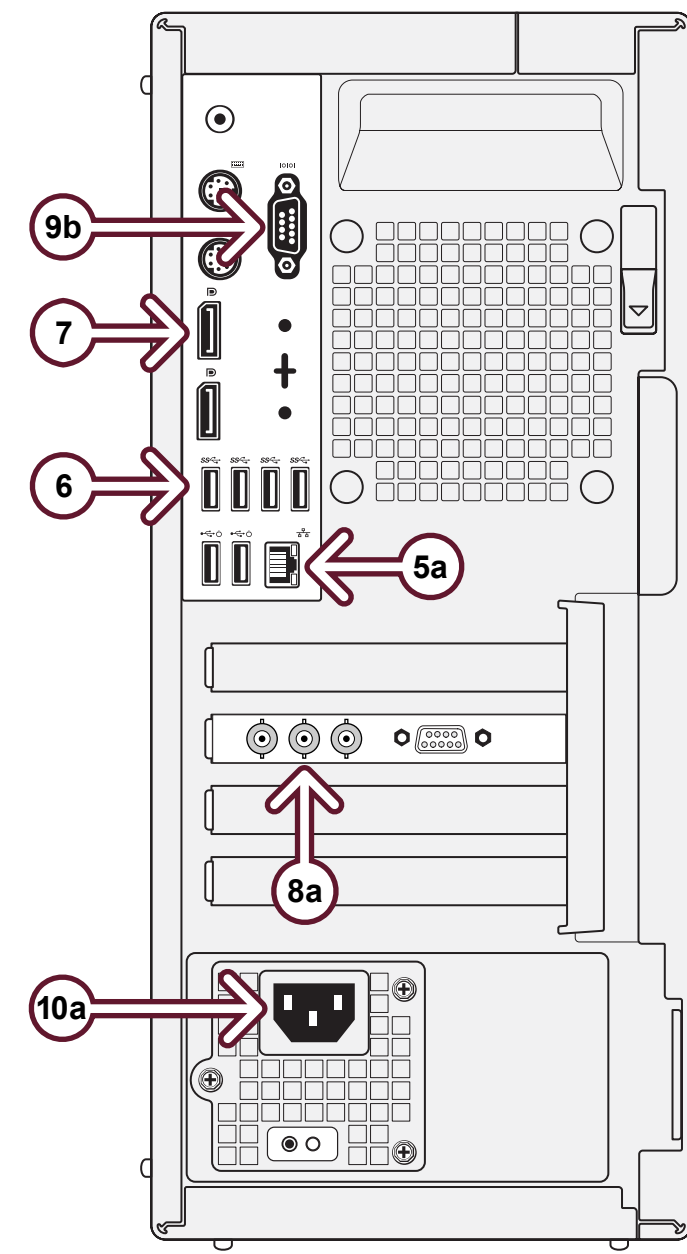
4 SmartShell Joystick Panel
 Unpack the SmartShell Joystick Panel and install it at the operator's station. The SmartShell Joystick Panel must be within easy reach of the operator.
 Typically, the SmartShell Joystick Panel is inset into the operator's desk. For more information, see "**Control Room Site Requirements for Standalone Control Station with Integrated Server (5100DR-032-xx)**".

SmartShell Joystick Panel - Rear View



Need Help?
Technical Support: (+1) 613 • 652 • 4886
Email: techsupport@rossvideo.com

SmartShell Computer - Rear View



Data and Video Cabling

5 Local Area Network (Robotics LAN)

5a Plug an Ethernet cable from the Robotics LAN into the Ethernet port on the back of the SmartShell Computer.

5b Plug an Ethernet cable from the Robotics LAN into the Ethernet port on the back of the SmartShell Control Panel.

6 USB Connections

6a Plug the supplied Keyboard into any USB port on the back of the SmartShell Computer (Keyboard not shown).

6b Plug the supplied Mouse into any USB port on the back of the SmartShell Computer (Mouse not shown).

6c Plug the supplied USB cable into the USB port on the Touch-Screen Monitor (not shown), and into any USB port on the back of the SmartShell Computer.

6d Locate the USB cable that came with the SmartShell Joystick Panel, and plug one end into any USB port on the back of the SmartShell Computer.
 Plug the other end into the USB port on the back of the SmartShell Joystick Panel.

7 Video for SmartShell Touch-Screen Monitor
 Plug one end of the supplied display cable into a Display port on the back of the SmartShell Computer.
 Plug the other end into the Display input on the Touch-Screen Monitor (not shown).

Data and Video Cabling (continued)

8 Video for Thumbnail Capture

8a Connect one end of a video cable to the SDI Video Input BNC connector on the back of the SmartShell Computer.

8b Connect the other end of the video cable to a video router output that is configured to deliver the video signal selected by the SmartShell Control Station. (router not shown)

9 Serial Router Control
 This step applies only if the video router cannot communicate over Internet Protocol (IP).

9a Determine whether serial router control will be via RS422 protocol (preferred) or RS232 protocol.
 For more information, see "**Control Room Site Requirements for Standalone Control Station with Integrated Server (5100DR-032-xx)**".

9b Do one of the following, depending on the protocol:

- **RS422** — Connect serial cables between the control port on the video router and the serial port on the SmartShell Computer, with an RS232 to RS422 converter inline. The converter should be positioned close to the SmartShell computer.
- **RS232** — Connect a serial cable between the control port on the video router and the serial port on the SmartShell Computer. If the Video Router and the SmartShell computer are not co-located, we recommend the use of two RS422-RS232 converters to help span the distance.

Note: The serial port on the SmartShell computer has a male DB9 connector.
Note: Ross Video does not supply serial cables or protocol converters.

Power Cabling

10 Power Cabling

10a Connect the supplied power cord to the AC Power connector on the SmartShell Computer, and then to Main Power.

10b Connect the SmartShell Control Panel power supply unit to the Power connector on the SmartShell Joystick Panel, and then to Main Power.

10c Connect a power cord to the Power connector on the Touch-Screen Monitor (not shown), and then to Main Power.

Note: Drawings are not to scale.

Startup

11

Power Up

Press the Power button on the front of the SmartShell Computer.

Note: To shut down the SmartShell Computer, do so from the Windows operating system, instead of pushing the Power button.

12

Log On & Startup

12a Use the following account information to log on to the SmartShell Computer:

User name: RossVideo

Password: password

12b To start the SmartShell robotics control application, double-click the SmartShell icon on the desktop.

Touch-Screen Monitor Calibration

13

SmartShell Computer

13a Turn on the Touch-Screen Monitor and the SmartShell Computer, and then log on.

13b In the **Start** menu, click **Control Panel**.

13c In the **View by** list, click **Large icons**.

13d Click **Elo Touchscreen**.

The **Elo Touchscreen Properties** window appears.

13e Click **Align**.

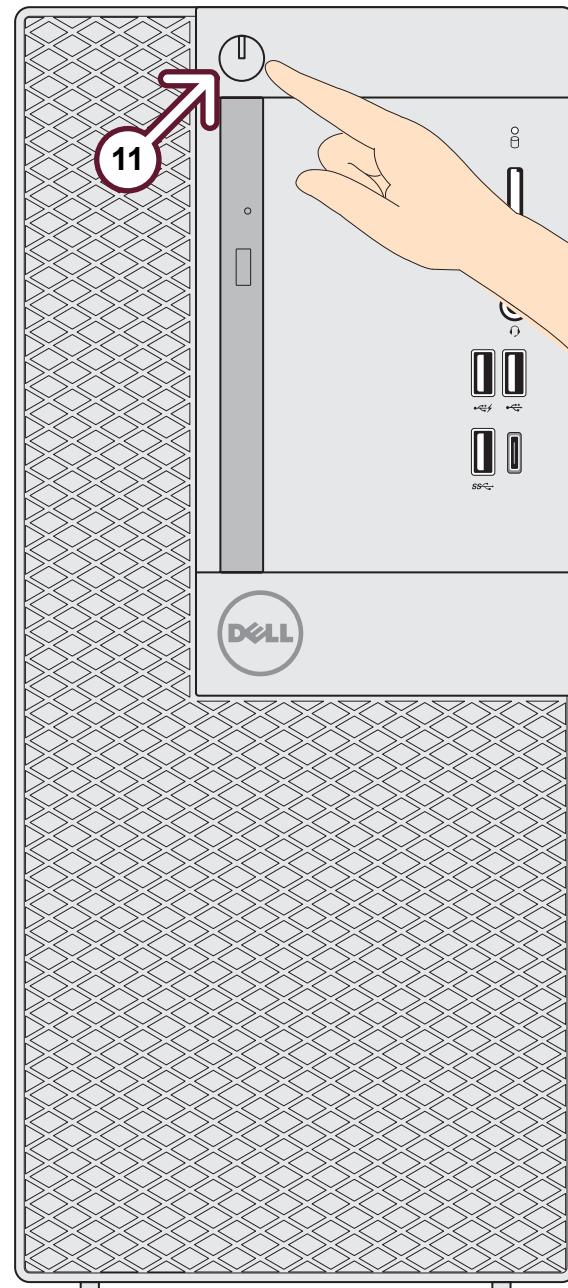
13f Follow the on-screen instructions to calibrate the monitor.

When finished, the **Elo Touchscreen Properties** window appears.

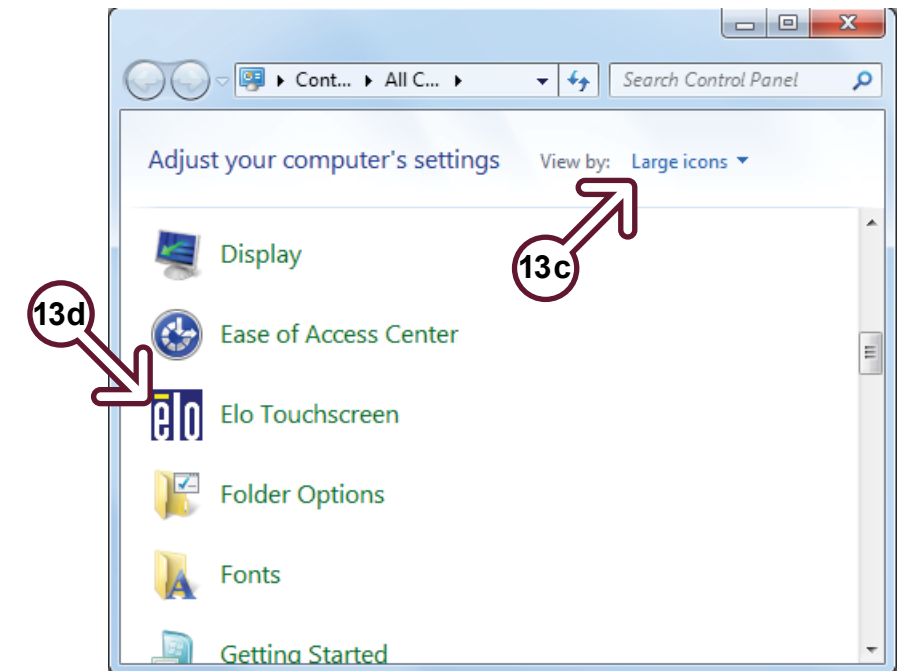
13g Click **OK**.

13h Close the **Control Panel**.

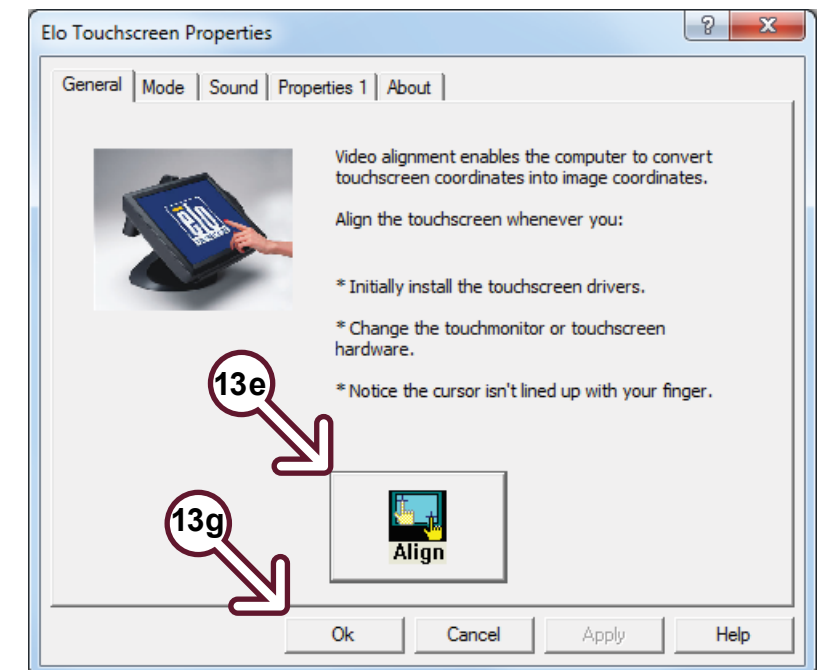
SmartShell Computer - Front View



Windows Control Panel



Elo Touchscreen Properties Window



Note: Drawings are not to scale.