

XPression

Basic Cabling

⚠ CAUTION: Before you set up and operate this product, refer to the Important Safety and Regulatory Notices document included in the shipping box.

- 1 Attach the handles to the front rack-mount tabs by aligning the handle with the round holes and fastening from the rear with the supplied screws.

Use the supplied Rack Mount Kit to mount the XPression system in a 19" EIA equipment rack.

For information on installing the XPression chassis in a rack, see the provided document "Installing the Chassis in a Rack".

- 2 Plug an Ethernet cable from your Local Area Network into one of the **Ethernet** ports (a) 2 x 10GbE, (b) 1 x 2.5GbE, (c) 1 x 1.0 GbE.

For information on the IPMI port (d) refer to the XPression 4RU Maintenance Guide.

XPression systems can run standalone or accept a connection to a production network. The network connection is also used for the RossTalk / Smart GPI feature.

- 3 Plug the supplied keyboard into a **USB** port.

- 4 Plug the supplied mouse into a **USB** port.

- 5 Connect a Monitor (customer supplied) to any of the four display ports.

KVM extenders (customer supplied) are required when the XPression system monitor, keyboard, and mouse are located remotely from the rack room.

- 6 Connect power cords from the AC on the XPression system to the mains power.

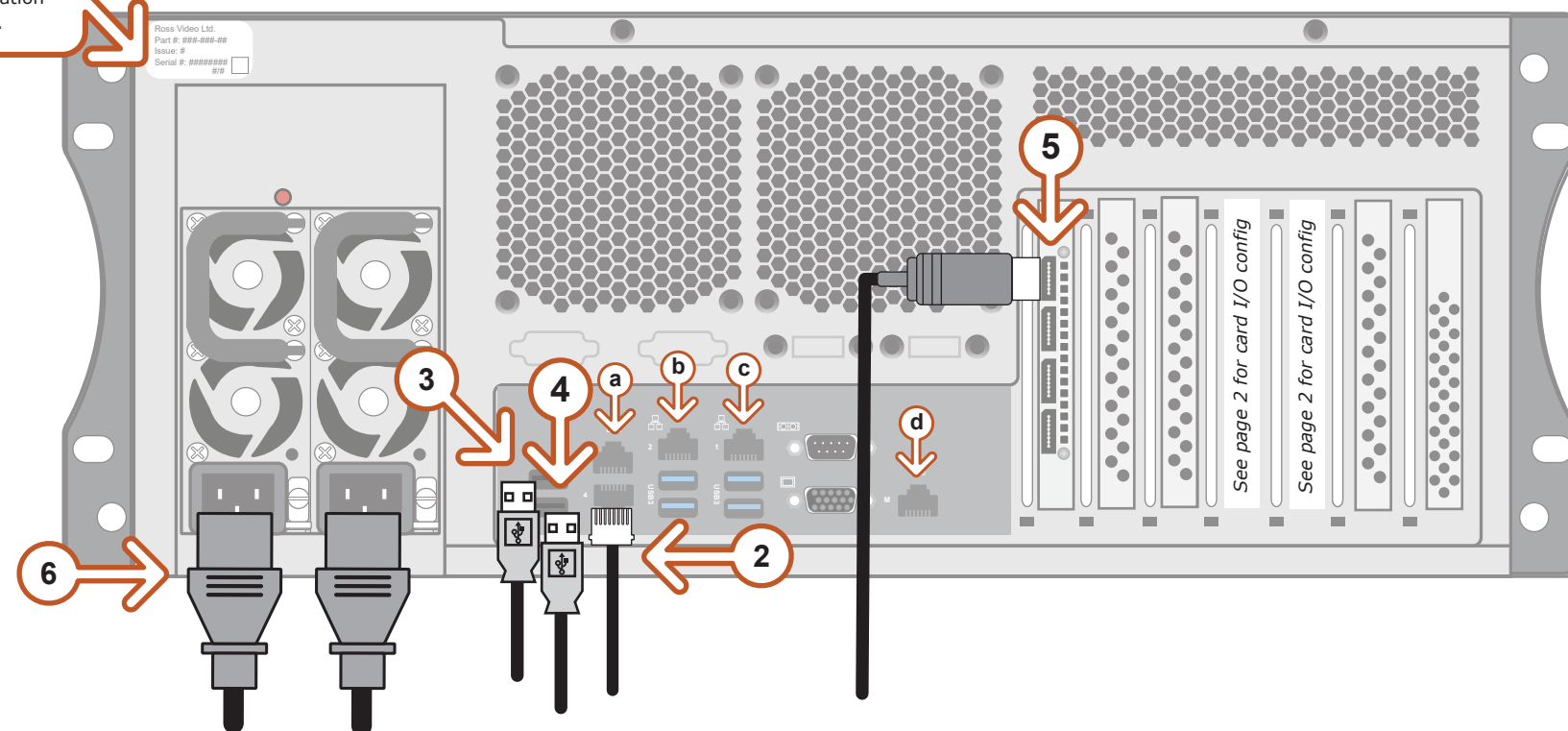
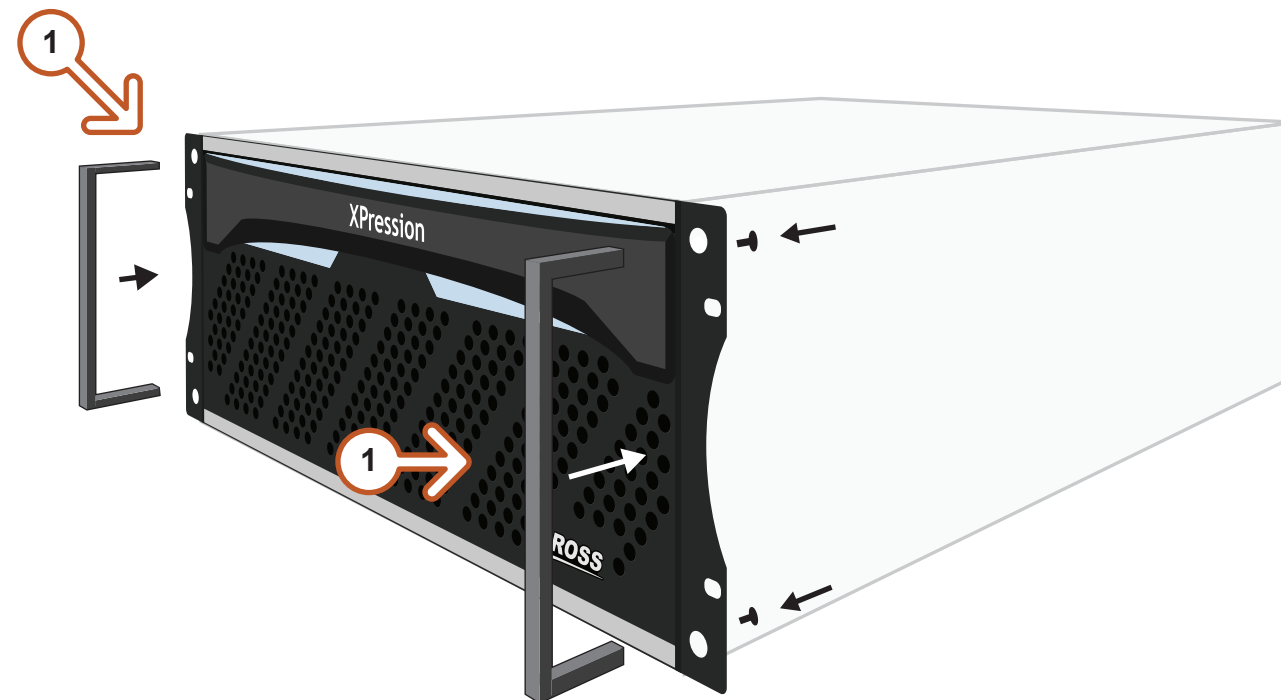
XPression system power supplies are auto-sensing and can use either 110 VAC or 220 VAC.

Continued on other side....

| Product/Model | Power Consumption | | Conditions/Notes |
|---------------|-------------------|-------------|------------------|
| | Maximum (Peak) | | |
| | Power (W) | Voltage (V) | |
| XPression 4RU | 958 | 110 | 100% Load |

Need Help?
 Technical Support:
 1-833-859-0499 (North America)
 +800 3540 3545 (Int'l)
 1 300 007 677 (Australia)
 Email: techsupport@rossvideo.com

When contacting technical support, please provide the information listed on this label.



Card Cabling

To connect the DSX LE4 /8:

- 1 Connect the HD-BNC end of the pigtail cables to the HD-BNC connectors and attach the SDI cables to the BNC end of the pigtails according to their required destination (see the *XPression User Guide* or Help file for information about configuring the key and fill for the HD-BNC connectors).

See table below for I/O configuration.

Not all HD-BNC connectors will be active depending on the XPression software edition. Keep any unused pigtail and SDI cables in a safe place for future use.

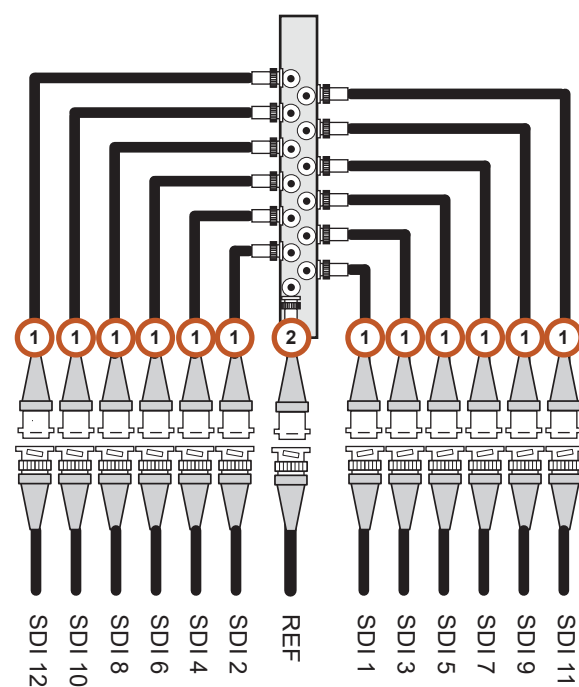
If your facility requires analog outputs, additional outboard digital to analog conversion equipment is available from Ross Video.

Inputs/outputs can be configured in the Hardware Setup in the XPression User Guide or Help file.

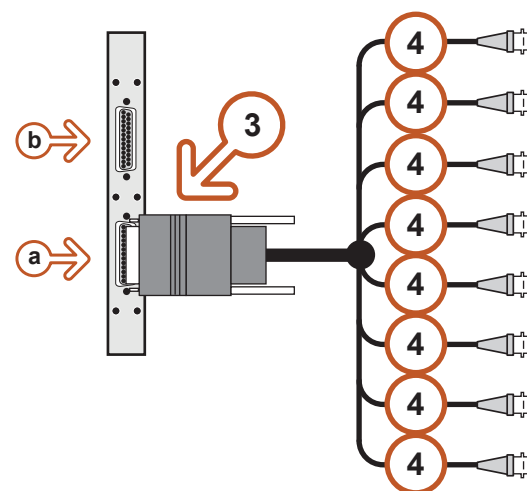
- 2 Connect your house reference Genlock signal to the **REF** HD-BNC connector.

XPression systems accept analog blackburst or tri-level sync as reference inputs.

Tri-level sync is recommended for HD installations.



- 3 Connect the supplied Matrox DSX Audio Breakout cables to **Matrox** port **A**.
- 4 Connect audio out and audio in cables from the **AES/EBU IN** and **OUT** BNC connectors on the breakout cable to their required destination.



To configure the DSX LE4 /8:

- 1 Press the **Power** button (⏻) on the front of the XPression system.
Ross Video recommends shutting down XPression systems from the Windows operating system.
- 2 From the folder that contains the **mvConnectorConfig.exe**, open the **Command Prompt**.
The default installation folder is C:\Program Files\Matrox DSX.utils\drivers in Windows.
- 3 Configure the inputs and outputs as follows:
mvConnectorConfig.exe -XinYout
Where:
X is the number of inputs
Y is the number of outputs
For example, to configure the inputs/outputs for 2 inputs/6 outputs, type "mvConnectorConfig.exe -2in6out".
- 4 Press **Enter**.
- 5 Reboot your system to update the card with the new I/O configuration.
Follow the onscreen instructions to reboot your system. The new configuration will be applied after the reboot.
- 6 Click the XPression user account icon to log onto the system.
- 7 Launch XPression from the **Start** menu.

Windows updates: it is recommended to perform scheduled Windows updates to maintain Windows security patches. Windows updates should be scheduled during periods of downtime.

| HD-BNC | Default (2 in, 6 out) | 8 out | UHD Mode (8 Out) | 4 in, 4 out | 1 in, 7 out | 3 in, 5 out | 5 in, 3 out | 6 in, 2 out | 7 in, 1 out |
|--------|-----------------------|------------|------------------|-----------------|-------------|-------------|-----------------|-----------------|-----------------|
| 1 | In 1 | -- | -- | In 1 | In 1 | In 1 | In 1 | In 1 | In 1 |
| 2 | Out 1 Fill | Out 1 Fill | Fill 1 | Out 1 Fill | Out 1 Fill | Out 1 Fill | Out 1 Fill | Out 1 Fill | Out 1 Fill |
| 3 | In 2 | -- | -- | In 2 | -- | In 2 | In 2 | In 2 | In 2 |
| 4 | Out 2 Fill | Out 2 Fill | Fill 2 | Out 2 Fill | Out 2 Fill | Out 2 Fill | Out 2 Fill | -- | -- |
| 5 | -- | -- | -- | In 3 (In 1 Key) | -- | In 3 | In 3 (In 1 Key) | In 3 (In 1 Key) | In 3 (In 1 Key) |
| 6 | Out 1 Key | Out 1 Key | Key 1 | Out 1 Key | Out 2 Key | Out 1 Key | Out 1 Key | Out 1 Key | Out 1 Key |
| 7 | -- | -- | -- | In 4 (In 2 Key) | -- | -- | In 4 (In 2 Key) | In 4 (In 2 Key) | In 4 (In 2 Key) |
| 8 | Out 2 Key | Out 2 Key | Key 2 | Out 2 Key | Out 2 Key | Out 2 Key | -- | -- | -- |
| 9 | Out 3 Fill | Out 3 Fill | Fill 3 | -- | Out 3 Fill | Out 3 Fill | In 5 | In 5 | In 5 |
| 10 | -- | Out 4 Fill | Fill 4 | -- | Out 4 Fill | -- | -- | -- | In 6 |
| 11 | Out 3 Key | Out 3 Key | Key 3 | -- | Out 3 Key | -- | -- | In 6 (In 5 Key) | In 7 (In 5 Key) |
| 12 | -- | Out 4 Key | Key 4 | -- | -- | -- | -- | -- | -- |

Hardware bypass relays are present between 1 & 2, 3 & 4, 5 & 6, and 7 & 8.