

Installing the VR600 Power Supply Bracket

If you are using a VR600 robotic camera head with a Furio column, you must install a bracket on the column to hold the head's power supply unit.

To install the bracket:

1. Remove a handle from the column (Figure 1).
2. Attach the bracket to the column, using the screws provided in the bracket kit (Figure 2).

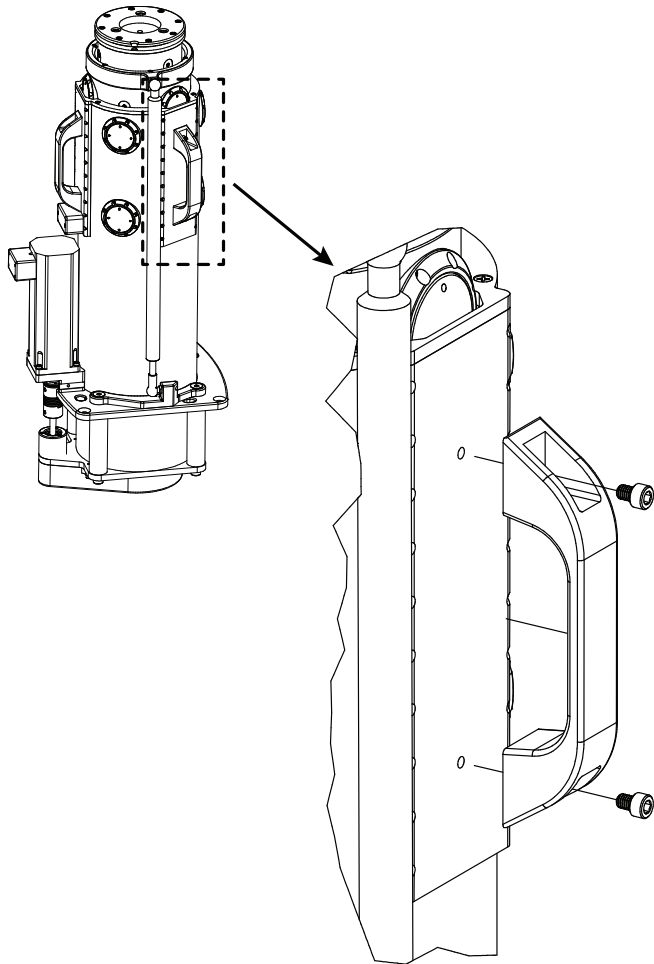


Figure 1 - Removing a Handle from the Column

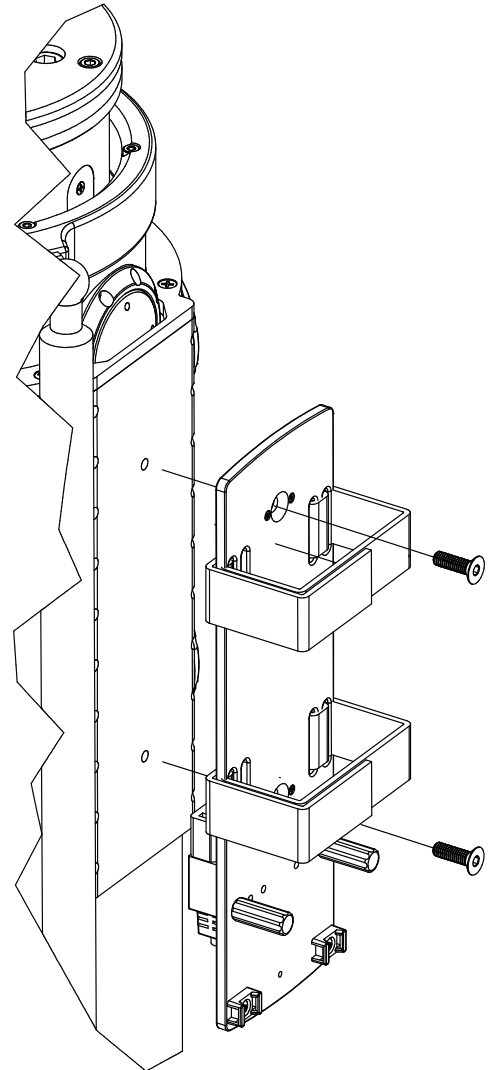


Figure 2 - Attaching the Bracket to the Column

3. Position the power supply unit in the bracket and fasten it with the cinch straps, cutting the straps to suitable length to secure the power supply unit (Figure 3).

IMPORTANT: The cable that is permanently attached to the power supply unit must be at the top of the unit.

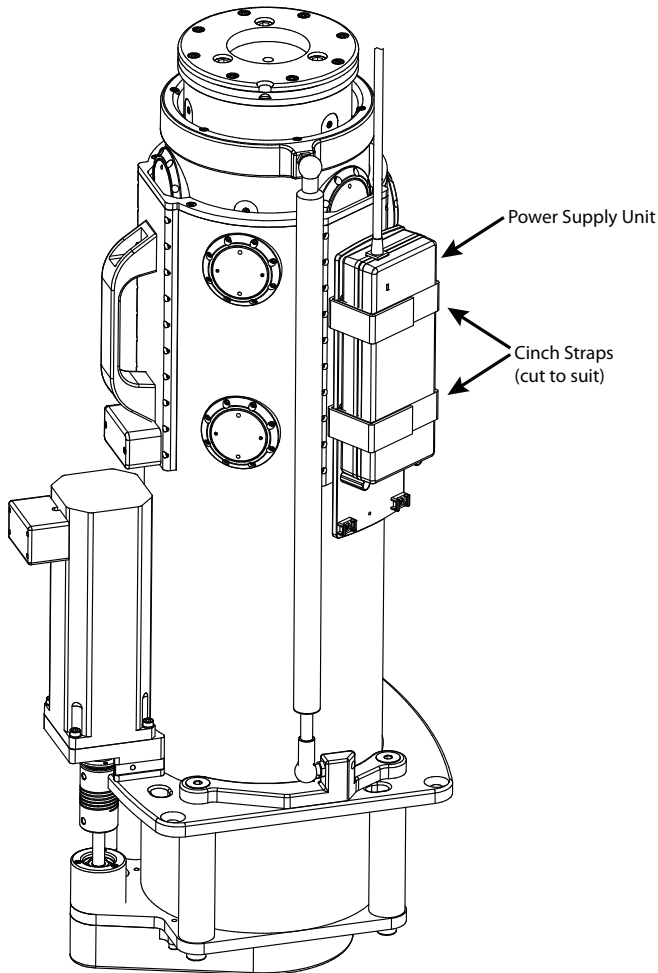


Figure 3 - Fastening the Power Supply Unit

4. Plug the AC line cord into the power supply unit.
5. Fasten the AC line cord to the bracket, using a cable tie provided in the bracket kit (Figure 4).

IMPORTANT: Loop the cable as shown in Figure 4, to ensure proper strain relief.

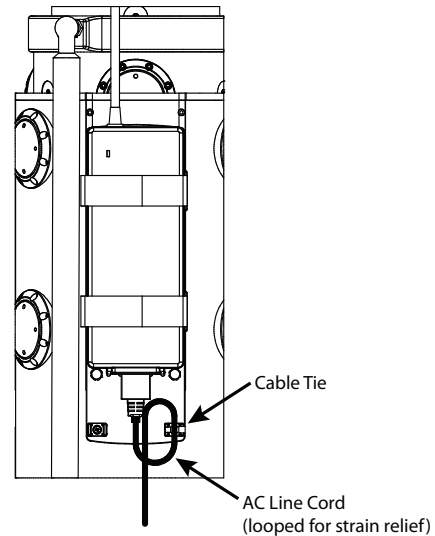


Figure 4 - Fastening the AC Line Cord to the Bracket

Copyright Notice

© 2014 Ross Video Limited. Ross® and any related marks are trademarks or registered trademarks of Ross Video Limited. All other trademarks are the property of their respective companies. PATENTS ISSUED and PENDING. All rights reserved. No part of this publication may be reproduced, stored in a retrieval system, or transmitted in any form or by any means, mechanical, photocopying, recording, or otherwise, without the prior written permission of Ross Video. While every precaution has been taken in the preparation of this document, Ross Video assumes no responsibility for errors or omissions. Neither is any liability assumed for damages resulting from the use of the information contained herein.