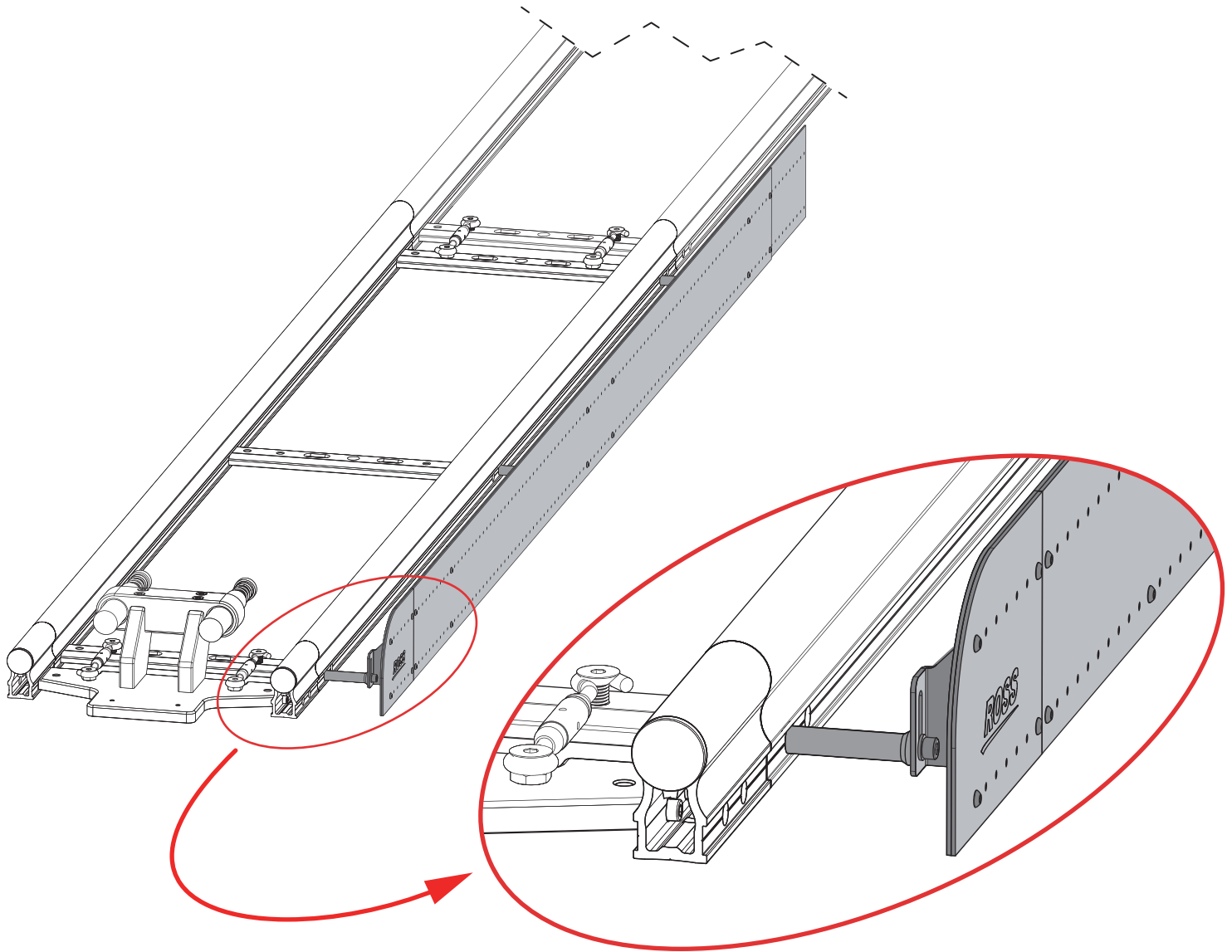


Furio Cable Guard

installation instructions



Installation instructions for the following Furio Cable Guard kits:

- FRO-GRD-START (starter kit)
- FRO-GRD-2M (extension kit)

Thank You for Choosing Ross

You've made a great choice. We expect you will be very happy with your purchase of Ross Technology.

Our mission is to:

1. Provide a Superior Customer Experience
 - offer the best product quality and support
2. Make Cool Practical Technology
 - develop great products that customers love

Ross has become well known for the Ross Video Code of Ethics. It guides our interactions and empowers our employees. I hope you enjoy reading it below.

If anything at all with your Ross experience does not live up to your expectations be sure to reach out to us at solutions@rossvideo.com.



David Ross
CEO, Ross Video
dross@rossvideo.com

Ross Video Code of Ethics

Any company is the sum total of the people that make things happen. At Ross, our employees are a special group. Our employees truly care about doing a great job and delivering a high quality customer experience every day.

This code of ethics hangs on the wall of all Ross Video locations to guide our behavior:

1. We will always act in our customers' best interest.
2. We will do our best to understand our customers' requirements.
3. We will not ship crap.
4. We will be great to work with.
5. We will do something extra for our customers, as an apology, when something big goes wrong and it's our fault.
6. We will keep our promises.
7. We will treat the competition with respect.
8. We will cooperate with and help other friendly companies.
9. We will go above and beyond in times of crisis. *If there's no one to authorize the required action in times of company or customer crisis - do what you know in your heart is right. (You may rent helicopters if necessary.)*



Contacting Technical Support

Our Technical Support experts are always ready to help resolve any questions or problems you might have.

- Toll Free Technical Support: 1-844-652-0645 (North America), or +800 1005 0100 (International)
- Technical Support: (+1) 613 · 652 · 4886
- After Hours Emergency: (+1) 613 · 349 · 0006
- E-mail (Technical Support): techsupport@rossvideo.com
- E-mail (General Information): solutions@rossvideo.com
- Website: <http://www.rossvideo.com>

About the Furio Cable Guard

Each Furio dolly has a bundle of cables that runs alongside the track as the dolly rolls from one end to the other. The cable bundle includes power and data cables for the dolly, camera, and accessories.

The Furio Cable Guard is a barrier that keeps cable bundles off the track. For curved tracks, it runs along the outside edge of the curve. For best results, we recommend installing cable guard along the full length of track.

Each Furio Cable Guard installation requires one or more kits:

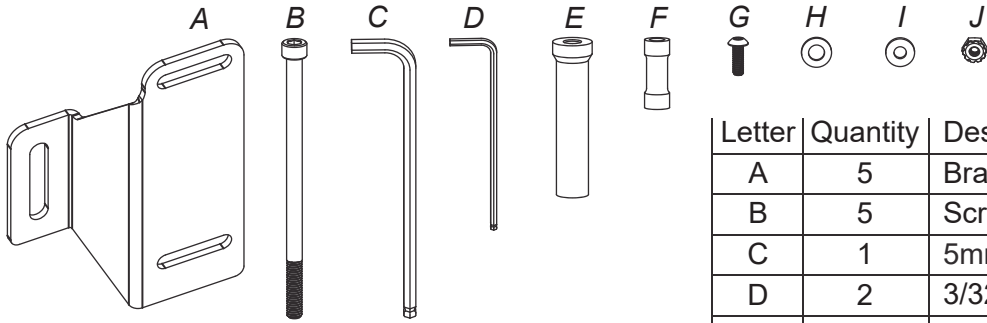
- Starter Kit (FRO-GRD-START) - Contains the panels and hardware required to install two end sections and intermediate sections of various lengths. Each installation requires one Starter Kit. Depending on which sections you install, the Starter Kit protects between 2.54 m [8' 4"] and 4.14 m [13' 7"] of track. Achievable lengths are as follows:
 - 2.54 m [8' 4"]
 - 2.94 m [9' 8"]
 - 3.34 m [11']
 - 3.74 m [12' 3"]
 - 4.14 m [13' 7"].
- Extension Kit (FRO-GRD-2M) - Contains the panels and hardware required to extend the cable guard 2 m [6' 7"].

To determine how many Extension Kits you need:

- 1) Measure the length of track between the end bumper units, in meters and centimeters.
For example, 18.65 m. If the track has one or more curves, measure along the outside edge.
- 2) If the track has one or more curves, add 0.10 m for every 45 degrees of circular arc.
For example, if the track has a 90-degree curve and a 45-degree curve, add 0.30 m.
- 3) Subtract 4 from the previous result.
- 4) Round up the result to the next even number.
For example, if the result is 16.9, round up to 18.
- 5) Divide by 2. This is the number of Extension Kits you need, in addition to one Starter Kit.



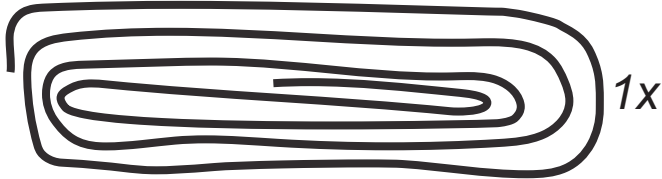
Kit Contents — FRO-GRD-START



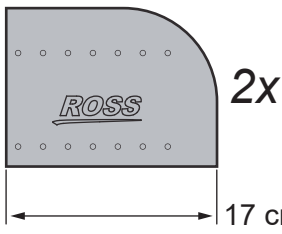
Note: Drawings in this document are not to scale

Letter	Quantity	Description
A	5	Bracket Spacer (5110FR-351-03)
B	5	Screw, M6, 110mm (88-00617)
C	1	5mm Hex Key (70-00762)
D	2	3/32" Hex Key (70-01056)
E	5	Standoff (5110FR-199-05)
F	5	Round M6 Spacer (5110FR-355-02)
G	50	Screw, 1/2" L, Hex (88-01184)
H	50	Flat Washer, #8, 3/16ID, 7/16OD (960-038R)
I	5	Flat Washer, M6, 6.4ID, 12OD, (88-00906)
J	50	Nut, Hex, KEPS, 8-32, 3/8W, (650-010R)

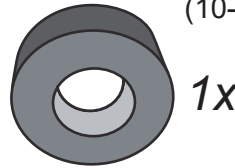
30 m [100'] U-shaped Edge Trim (10-00818)



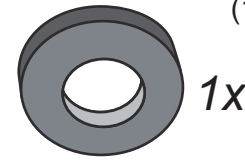
17 cm Cable Guide End (5110FR-356-02)



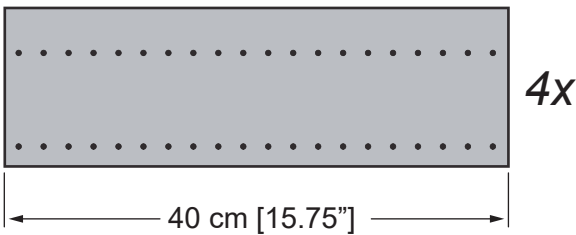
48 mm [1 7/8"] Gaffer's Tape (10-00808)



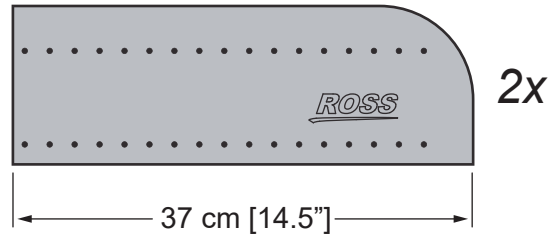
25 mm [1"] Gaffer's Tape (10-00807)



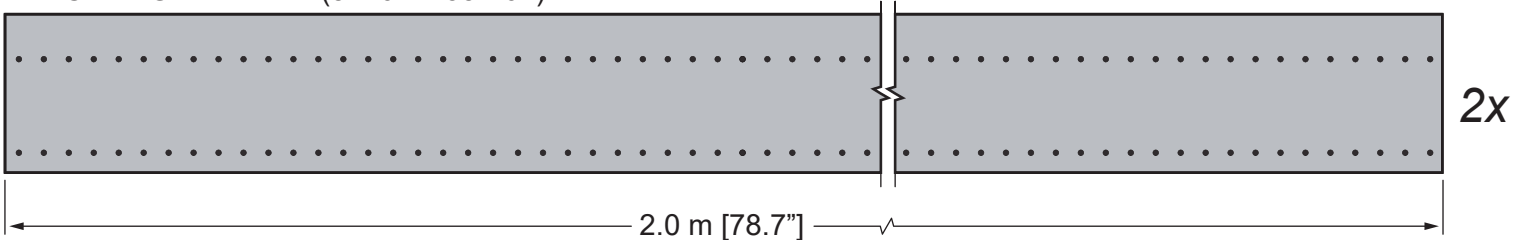
40 cm Cable Guard Panel (5110FR-353-05)



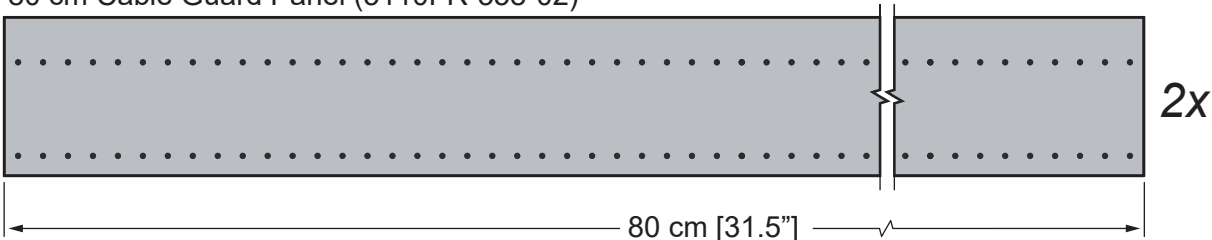
37 cm Cable Guard End Panel (5110FR-357-02)



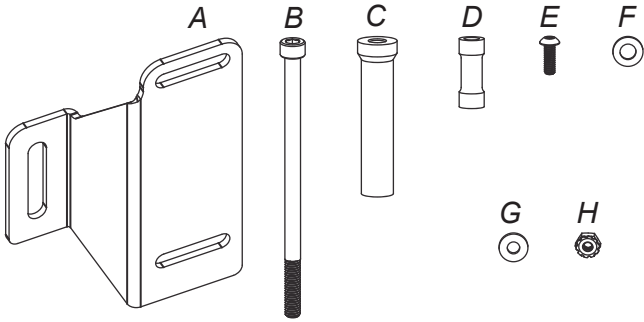
2 m Cable Guard Panel (5110FR-352-04)



80 cm Cable Guard Panel (5110FR-358-02)

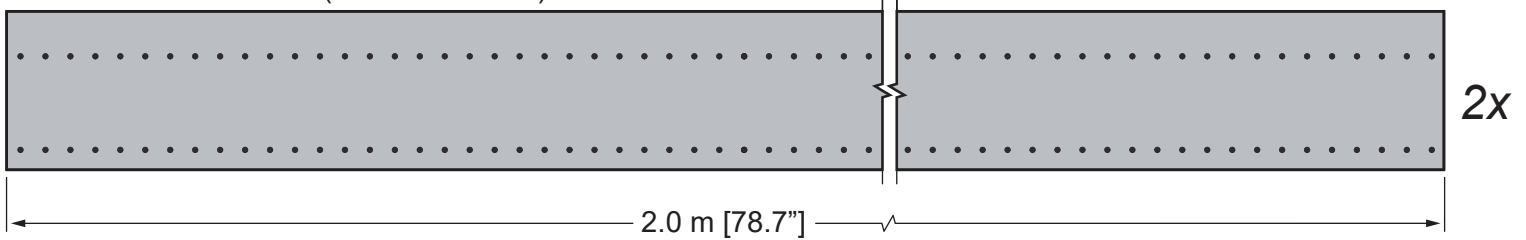


Kit Contents — FRO-GRD-2M



Letter	Quantity	Description
A	2	Bracket Spacer (5110FR-351-03)
B	2	Screw, M6, 110mm (88-00617)
C	2	Standoff (5110FR-199-05)
D	2	Round M6 Spacer (5110FR-355-02)
E	12	Screw, 1/2L, Hex (88-01184)
F	12	Flat Washer, #8, 3/16ID, 7/17OD (960-038R)
G	2	Flat Washer, M6, 6.4ID, 12OD, (88-00906)
H	12	Nut, Hex, KEPS, 8-32, 3/8W, (650-010R)

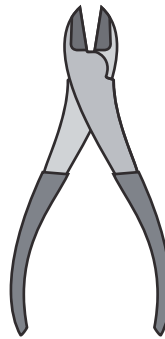
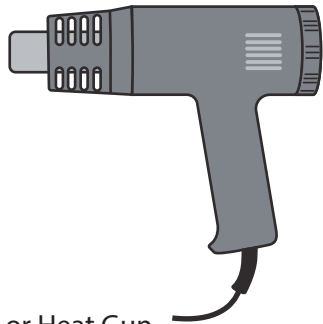
2 m Cable Guard Panel (5110FR-352-04)



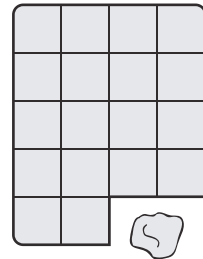
Additional Tools and Materials Required



Hair Dryer or Heat Gun



Side-cutters or scissors



Adhesive Putty (optional)
(commonly used to hang posters)



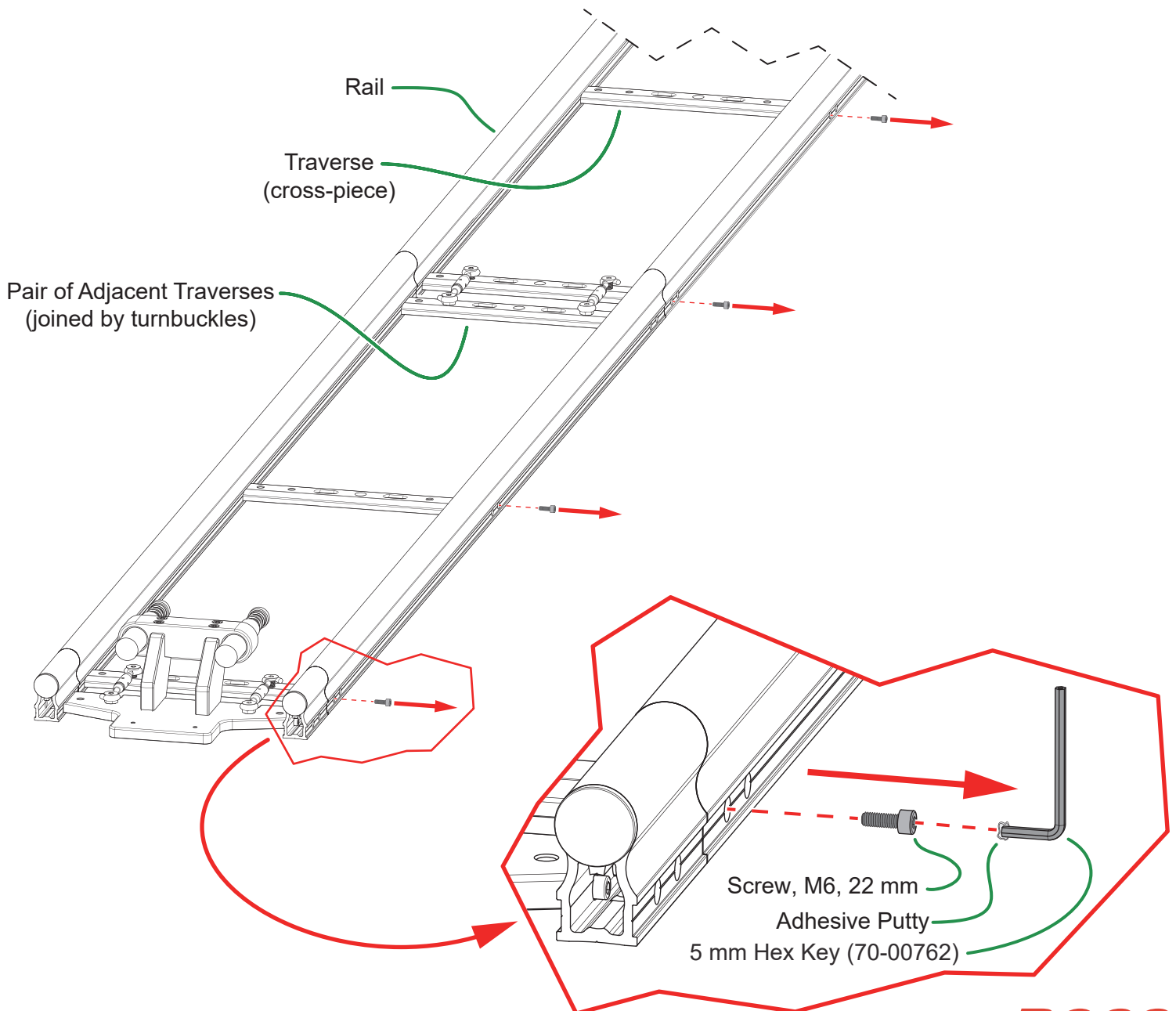
Step 1: Remove Traverse Screws

The track consists of rails and traverses (cross-pieces). Wherever two track sections meet, a pair of adjacent traverses is connected by turnbuckles.

On the side of the track where you want to install the Cable Guard, use the 5 mm Hex Key to remove one screw from each solitary traverse or pair of adjacent traverses, as shown below. It doesn't matter which of the two screws you remove from a given traverse.

IMPORTANT: Remove the screws carefully, to avoid dropping them inside the rail. Loose screws left inside the rail may rattle as the dolly moves along the track.

Tip: To help extract the screw from the rail, place a small piece of adhesive putty on the end of the 5mm Hex Key before you insert it into the head of the screw. The putty adheres to the screw, making it easier to extract the screw without dropping it inside the rail.



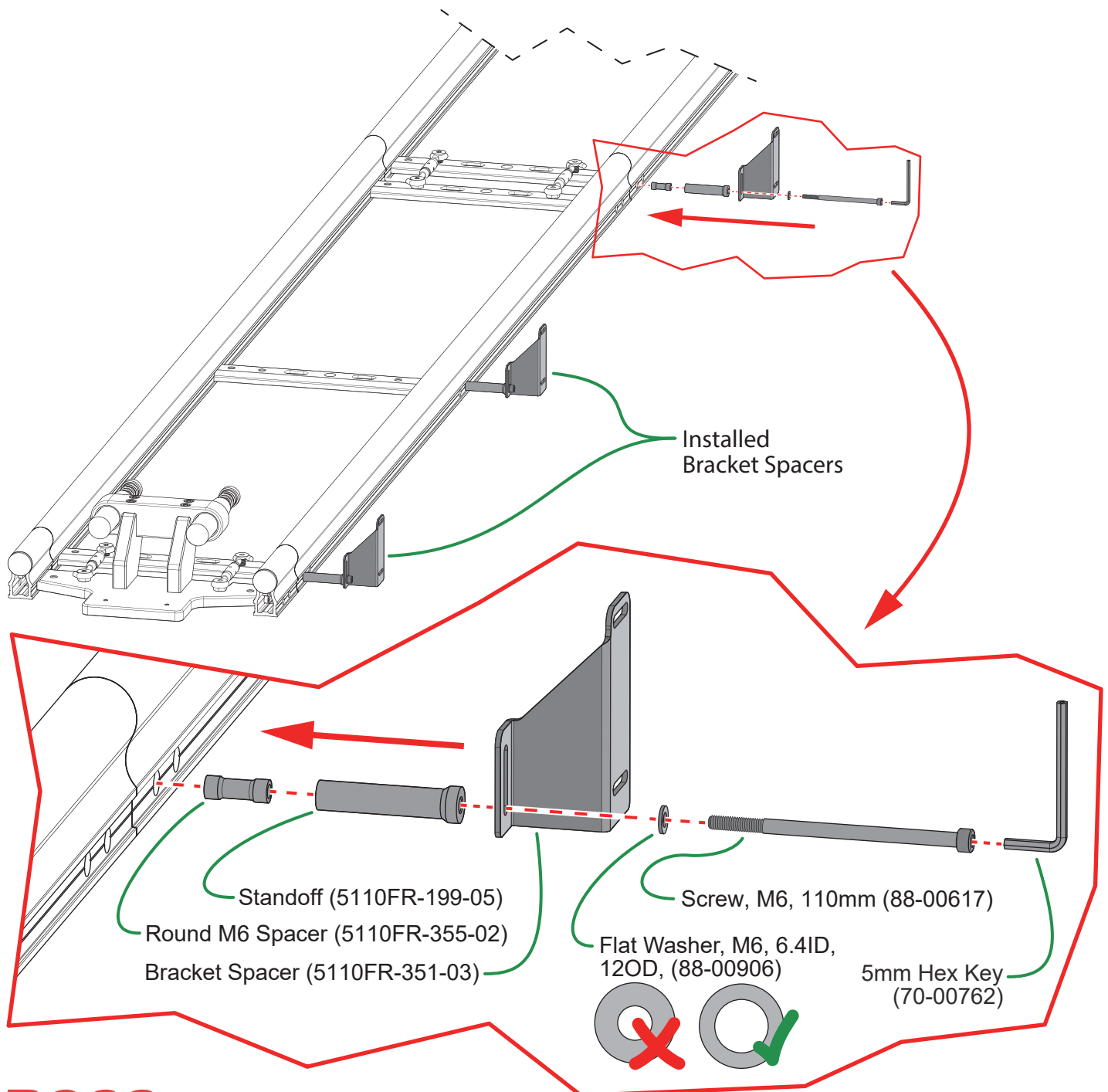
ROSS

Step 2: Install Bracket Spacers

Bracket spacers join Cable Guard sections to the track. They are installed at approximately 1 m [39"] intervals.

Use the 5 mm Hex Key to install a Bracket Spacer at each location from which you removed a traverse screw, as shown below. The 110 mm Screw goes through the Washer, Bracket Spacer, Standoff, and M6 Spacer, and then threads into the hole from which you removed the traverse screw.

The Furio Cable Guard rests on the studio floor. The vertical slot in the Bracket Spacer allows for height adjustment. If the floor is uneven, you may have to adjust the height the Bracket Spacers as you install cable guard sections. When installation is complete, some portions of the cable guard may not touch the floor.



ROSS

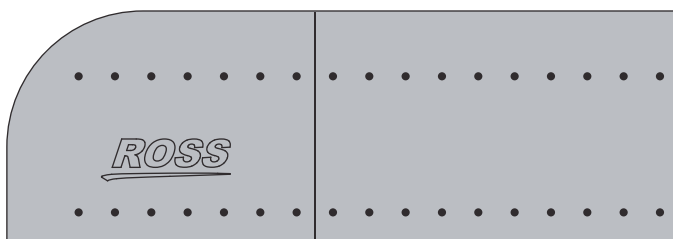
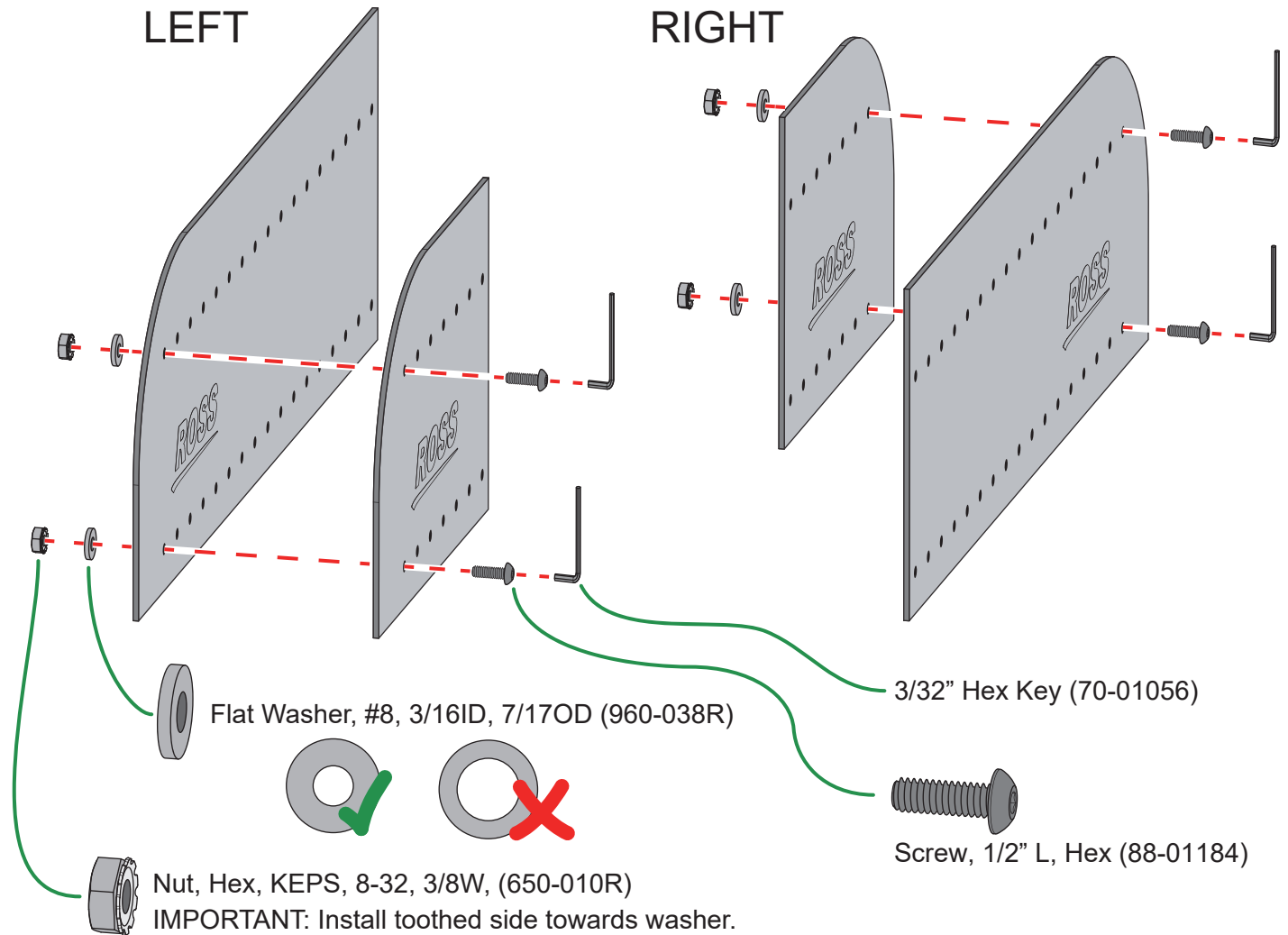
Step 3: Assemble End Sections

Each end section consists of two overlapping panels of different lengths (17 cm [5.625"] and 37 cm [14.5"]). The end sections feature the Ross logo, and each has one rounded end.

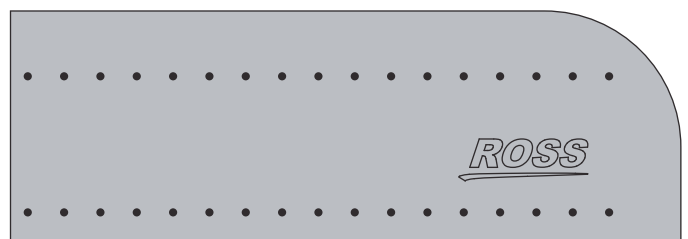
To assemble each end section:

Use the 3/32" Hex Key and two screws to join the panels. Align the rounded ends of the panels as shown below, and insert the screws through the holes closest to the rounded ends.

CAUTION: Panel edges and corners may be sharp.



Left End Section

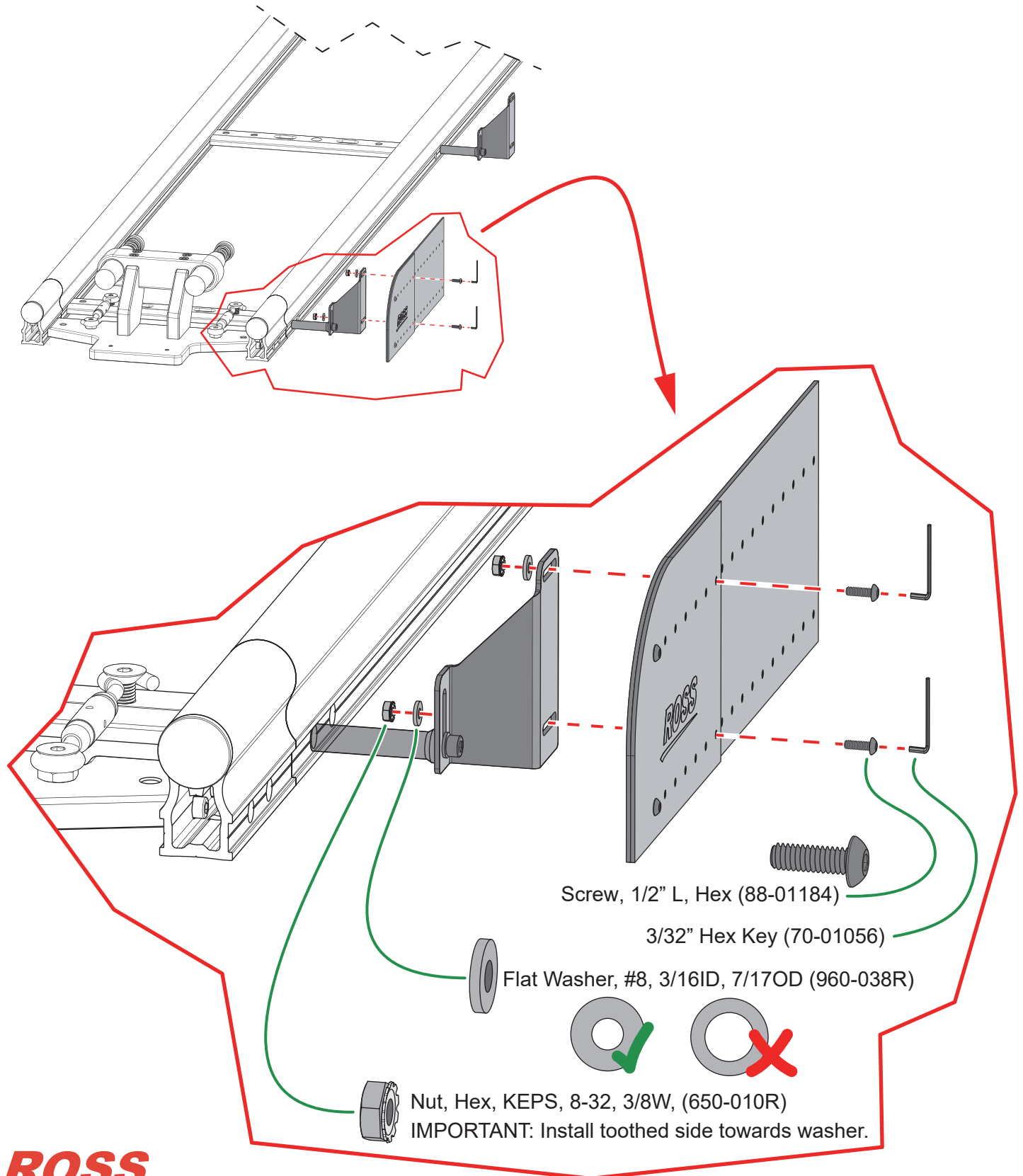


Right End Section

ROSS

Step 4: Install the Left End Section

Use the 3/32" Hex Key to attach the Left End Section section to left-most bracket spacer, as shown below.

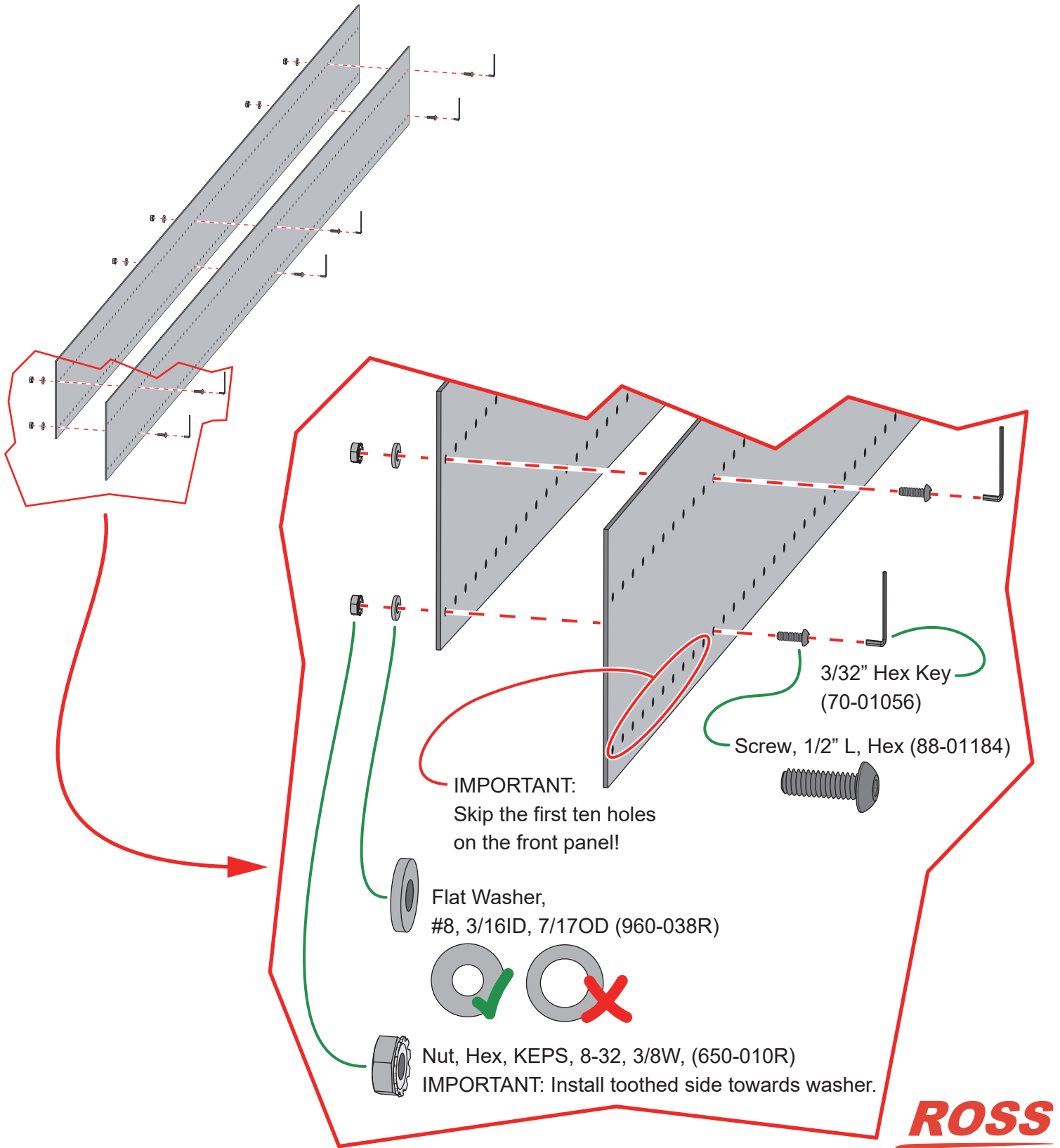


ROSS

Step 5: Assemble Long Sections

A long intermediate section consists of two overlapping 2 m panels, screwed together near the middle, and near each end.

Use the 3/32" Hex Key to assemble the long sections, as shown below:

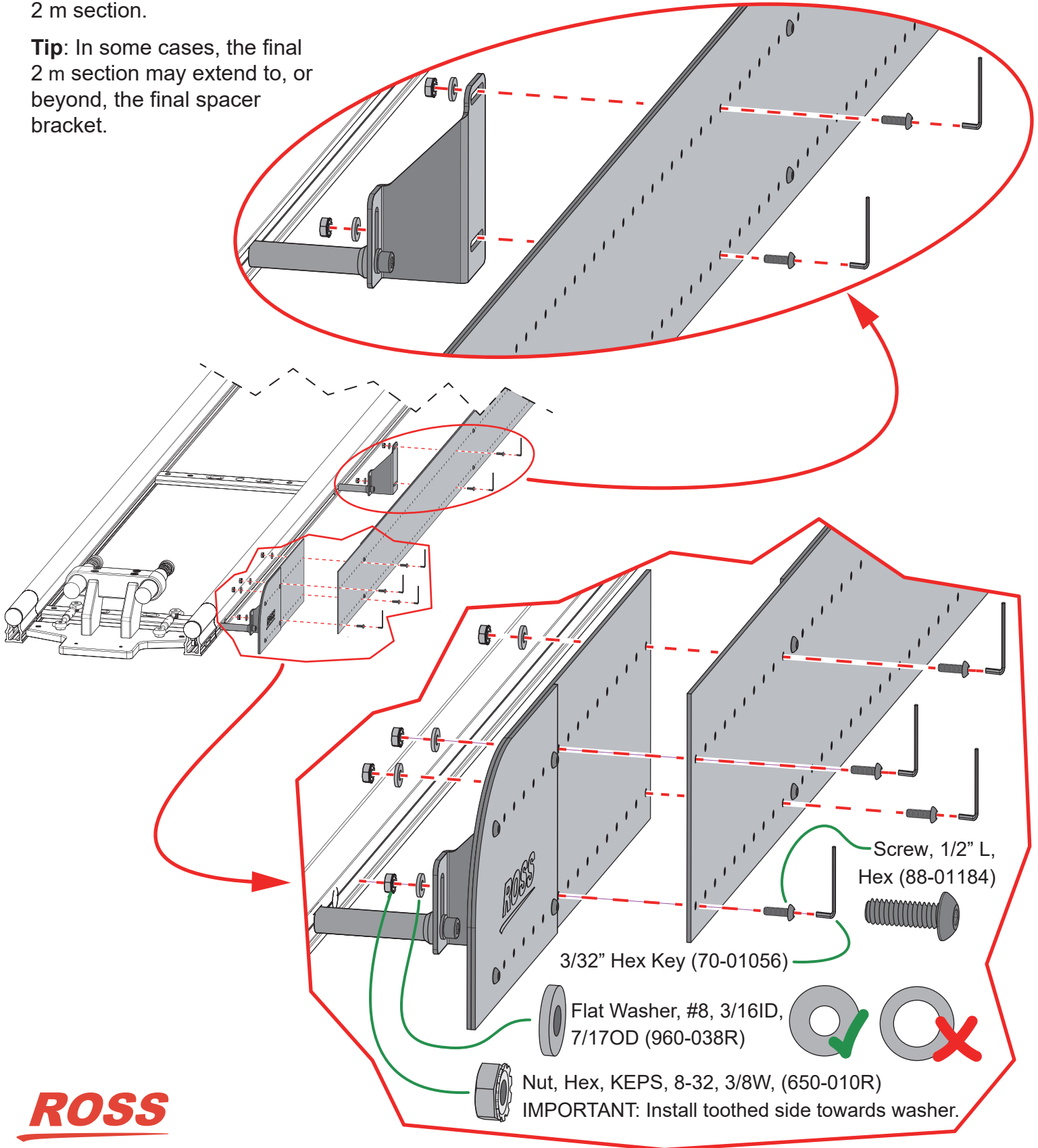


Step 6: Install Long Sections

Install 2 m sections as shown, attaching each to the previous section, and to bracket spacers.

If the end of the current 2 m section is more than 1.7 m from the final spacer bracket, add another 2 m section.

Tip: In some cases, the final 2 m section may extend to, or beyond, the final spacer bracket.



ROSS

Step 7: Install Short Sections

Because the length of each Furio track is customized to suit the studio, the cable guard length is variable.

The Starter Kit contains the panels and hardware required to assemble one 80 cm section and two 40 cm sections. Based on the distance remaining between the end of the final 2 m section and the final Bracket Spacer, determine which short sections, if any, are required:

- 150 cm to 170 cm [59" to 67"]: one 80 cm section and two 40 cm sections
- 110 cm to 150 cm [43" to 59"]: one 80 cm section and one 40 cm section
- 70 cm to 110 cm [27.5" to 43"]: one 80 cm section
- 30 cm to 70 cm [12" to 27.5"]: one 40 cm section
- Less than 30 cm [12"]: No short sections are required. The Right End Section you assembled in Step 3 is long enough to complete the cable guard.

To assemble and install the short sections:

Use the same tool, techniques, and fastening hardware as when you installed the long sections in Step 6 on Page 11:

- **Tool:** 3/32" Hex Key (70-01056)
- **Screws:** 1/2" L, Hex (88-01184)
- **Flat Washers:** #8, 3/16ID, 7/16OD (960-038R)Nuts: Hex, KEPS, 8-32, 3/8W, (650-010R)
- **Nuts:** Hex, KEPS, 8-32, 3/8W, (650-010R).
Be sure to install the toothed side of the washer towards the cable guard panel.

Step 8: Install the Right End Section

Install the Right End Section, which you assembled in Step 3.

To install the Right End section:

Use the same tool, techniques, and fastening hardware as when you installed the Left End Section in Step 4 on Page 9:

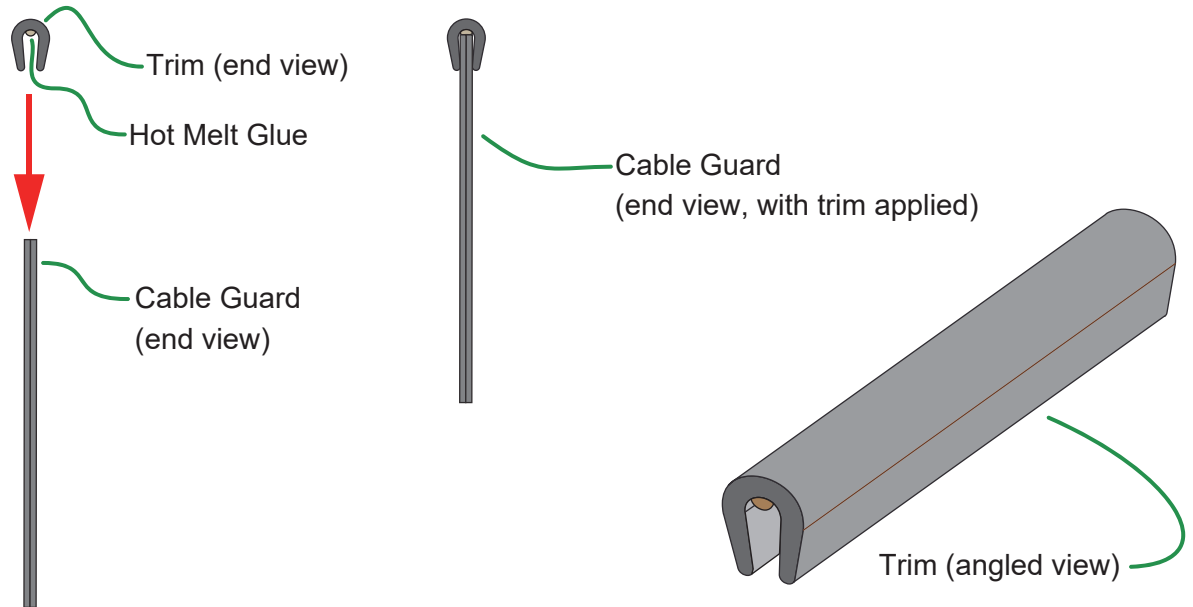
- **Tool:** 3/32" Hex Key (70-01056)
- **Screws:** 1/2" L, Hex (88-01184)
- **Flat Washers:** #8, 3/16ID, 7/16OD (960-038R)Nuts: Hex, KEPS, 8-32, 3/8W, (650-010R)
- **Nuts:** Hex, KEPS, 8-32, 3/8W, (650-010R).
Be sure to install the toothed side of the washer towards the cable guard panel.

The logo for ROSS, featuring the word "ROSS" in a bold, red, sans-serif font with a red underline.

Step 9: Apply Top Edge Trim

The Top Edge Trim covers the exposed top edge of the Furio Cable Guard, and gives it a clean, professional appearance. The trim features a groove that accepts the top edge of the cable guard. The groove contains hot-melt adhesive that secures the installed trim to the cable guard.

The Starter Kit includes approximately 30 m [100'] of trim.



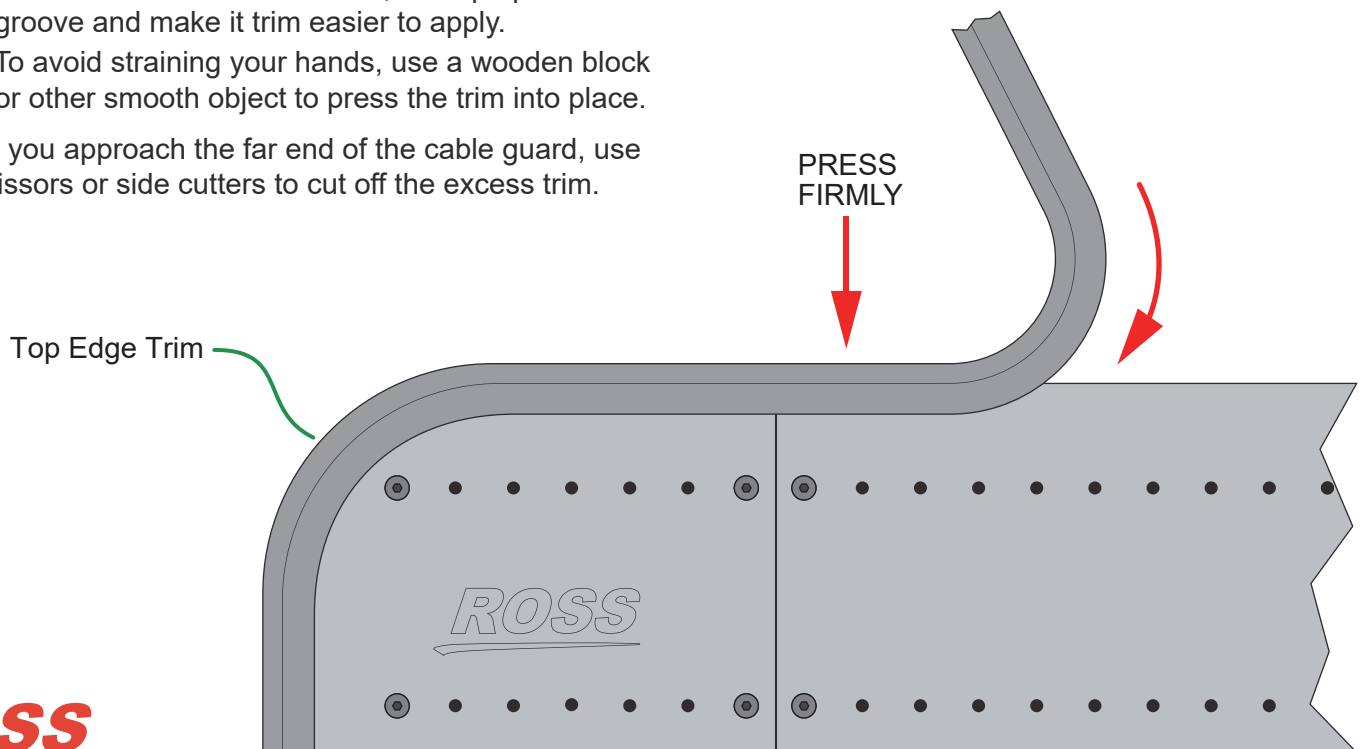
To apply the trim:

- 1) Starting at one end of the cable guard, apply the trim over the top edge, pressing firmly to ensure that the cable guard is fully seated within the groove of the trim.

Tips:

- Bend the trim as shown below, to help open the groove and make it trim easier to apply.
- To avoid straining your hands, use a wooden block or other smooth object to press the trim into place.

- 2) As you approach the far end of the cable guard, use scissors or side cutters to cut off the excess trim.



ROSS

Step 10: Activate Hot Melt Adhesive

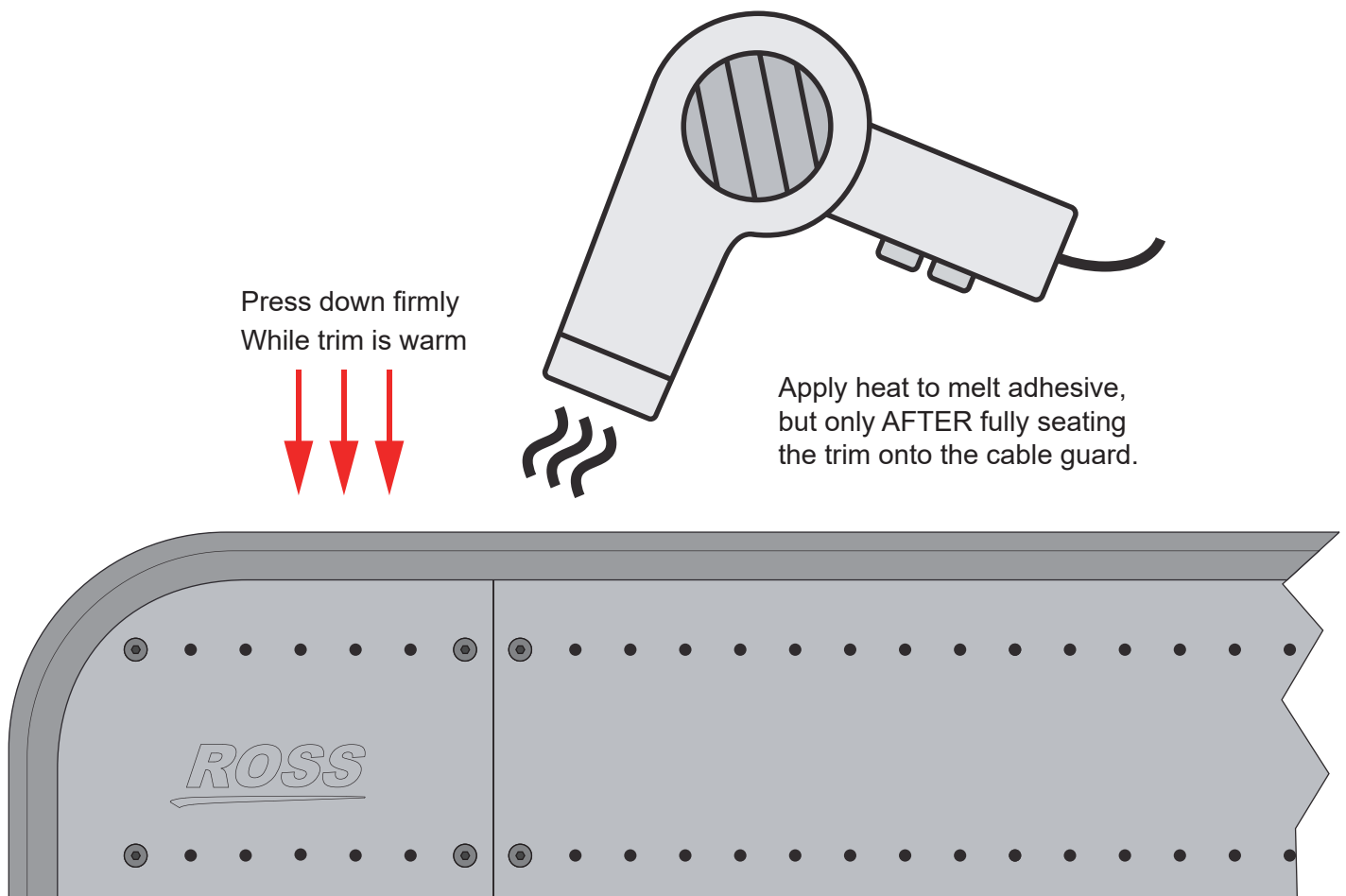
The groove of the trim contains hot-melt adhesive that secures the installed trim to the cable guard.

To activate the hot melt adhesive:

Starting from one end of the cable guard. Use a hair dryer or heat gun to warm the trim and melt the adhesive, while pressing the trim firmly onto the cable guard.

IMPORTANT: Apply the entire length of trim (Step 9 on page 13) **BEFORE** you apply any heat. Heating the trim before it is fully applied to the cable guard may melt the adhesive prematurely, gluing the sides of the trim together and making it difficult or impossible to apply.

CAUTION: Risk of injury or product damage. If you are using a heat gun to melt the adhesive, do not apply too much heat. Be careful not to burn yourself or to melt the trim. Use a low or medium heat setting if available.



ROSS

Step 11: Apply Gaff Tape (optional step)

The Starter Kit contains two rolls of black gaffer's tape, in two widths:

- 25 mm [1"] Gaffer's Tape (10-00807), one roll
- 48 mm [1.825"] Gaffer's Tape (10-00808), one roll

You can apply the gaffer's tape over screw heads and over the seams between cable guard sections, to further reduce any risk of cable snags.

