

### Rack Mounting

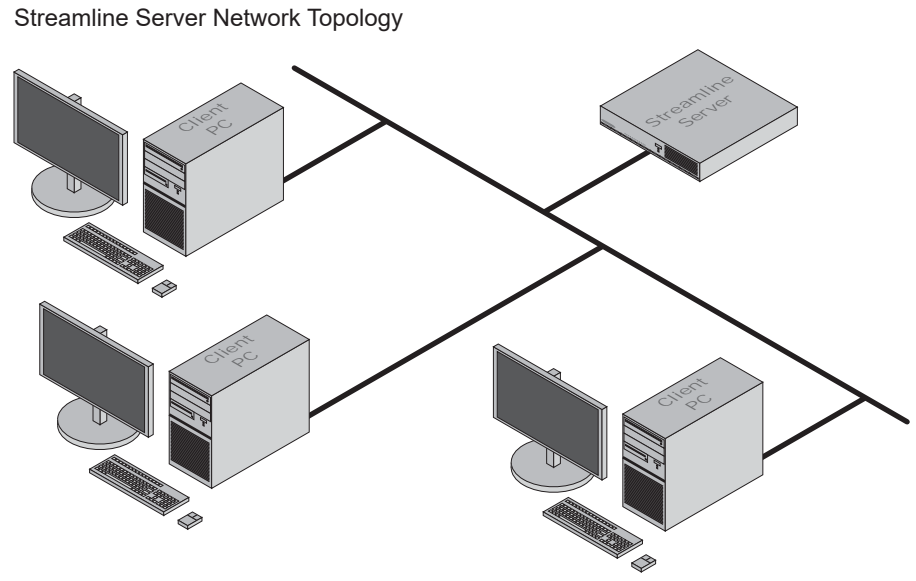
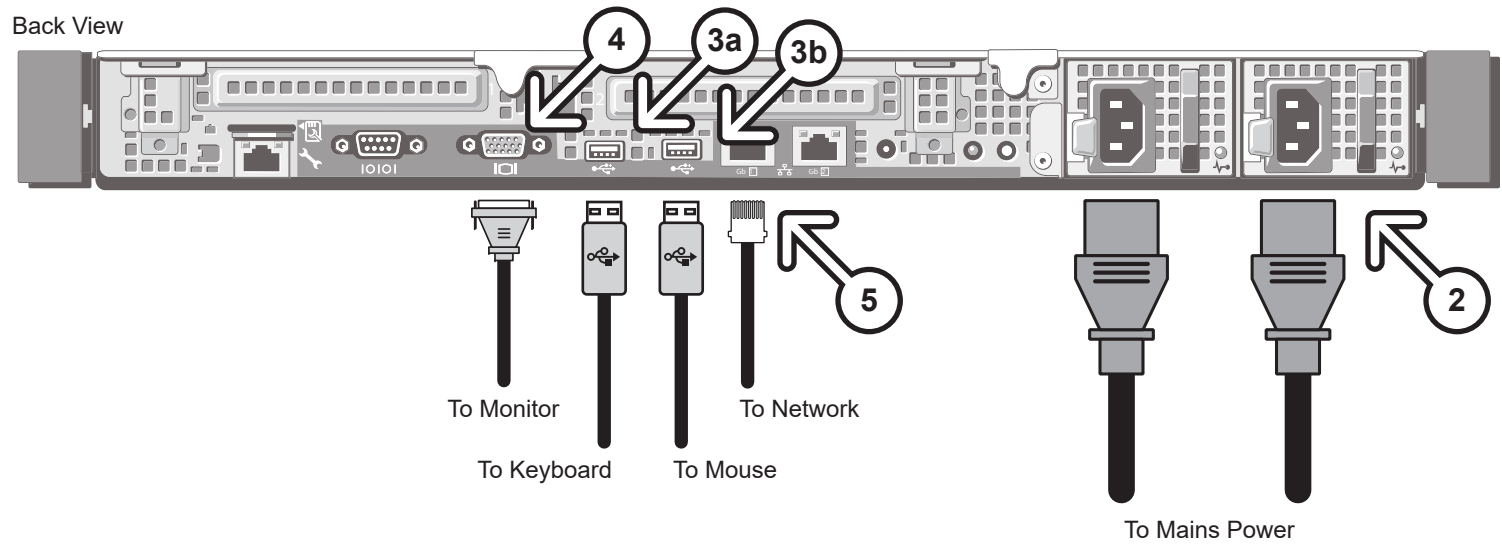
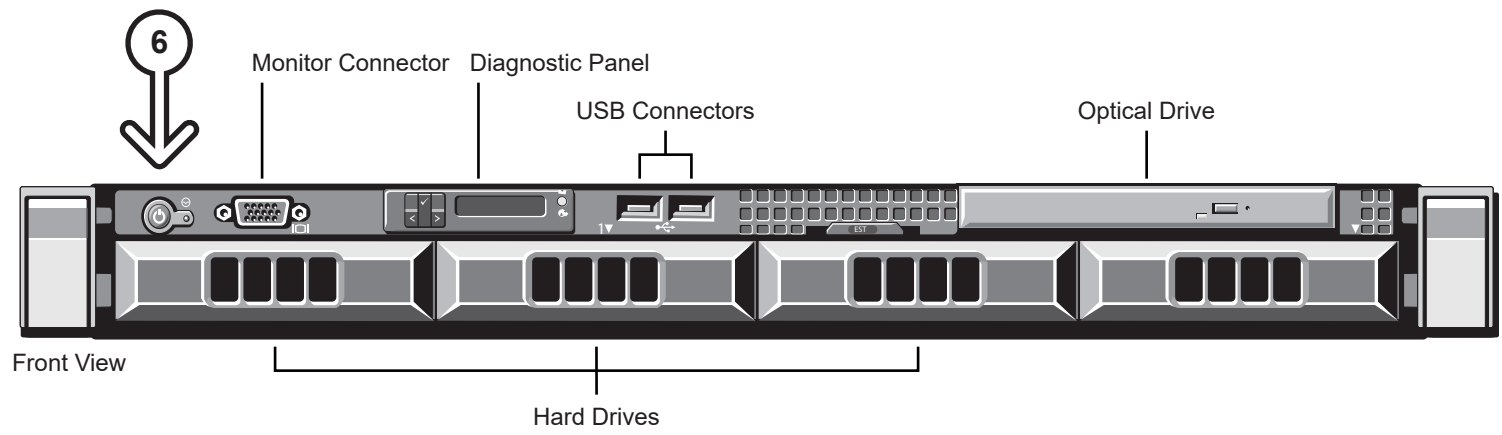
**1 Rack Mount**  
Unpack and use the supplied Rack Mount Kit to mount your Streamline Server in a 19" wide by 30" deep EIA equipment rack.  
*The supplied Rack Mount Kit mount your Streamline Server in a 19" x 30" EIA equipment rack to avoid damaging the Streamline Server.*

**2 Power**  
Connect an **AC Power Cord Port** on the Streamline Server and then to Mains Power.  
*The Streamline Server power supplies are auto-sensing and can use either 110 VAC or 220 VAC. Streamline Servers are equipped with two power supplies in a redundant configuration. Only one power supply is required to run the Server.*

### Peripheral Cabling

**3 Keyboard and Mouse**  
**3a** Plug the supplied **Keyboard USB** port on the back of the Server.  
**3b** Plug the supplied **Mouse** port on the back of the  
*Note: KVM extenders (customer supplied) are required when the Streamline Server monitor, keyboard, and mouse are located remotely from the rack room.*

**4 Monitor**  
Connect a **Monitor** (customer supplied) to the **VGA** port of the Streamline Server.  
*Note: KVM extenders (customer supplied) are required when the Streamline Server monitor, keyboard, and mouse are located remotely from the rack room.*



### Network Cabling

**5 Local Area Network**  
Plug an **Ethernet** cable from your Local Area Network into one of the GigE ports on the back of the Streamline Server.  
*Note: The Streamline Server must be connected to the same network as the client computers that will connect to the Streamline Server Client.*

### Startup

**6 Power Up**  
Press the **Power** button on the front of the Inception Server.  
*The Streamline Server startup process includes drive initialization, which takes a few minutes to complete.*  
*Note: Ross Video recommends shutting down Streamline Servers only from the Windows operating system.*

**? Need Help?**  
**Technical Support:** (+1) 613 • 652 • 4886  
**Email:** techsupport@rossvideo.com