

### Rack Mounting

#### 1 Rack Mount

Unpack and use the supplied Rack Mount Kit to mount your Caprica Server in a 19" wide by 30" deep EIA equipment rack.

*The supplied Rack Mount Kit **MUST** be used to mount your server in a 19" x 30" EIA equipment rack to avoid damaging the server.*

#### 2 Power

Connect an **AC Power Cord** to each **AC Port** on the Caprica Server and then to Mains Power.

*The server power supplies are auto-sensing and can use either 110 VAC or 220 VAC. Servers are equipped with two power supplies in a redundant configuration. Only one power supply is required to run the server.*

### Peripheral Cabling

#### 3 Keyboard and Mouse

**3a** Plug the supplied **Keyboard** into the left **USB** port on the back of the Caprica Server.

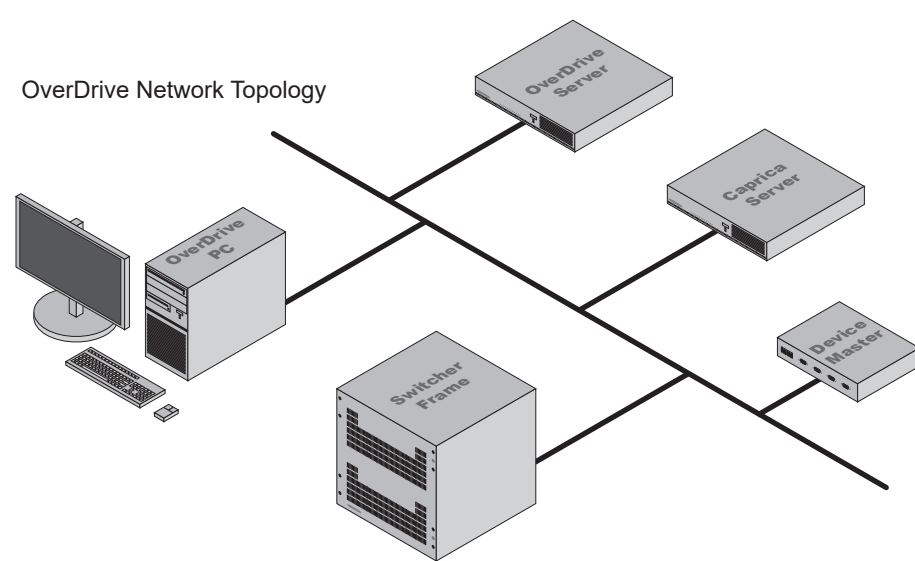
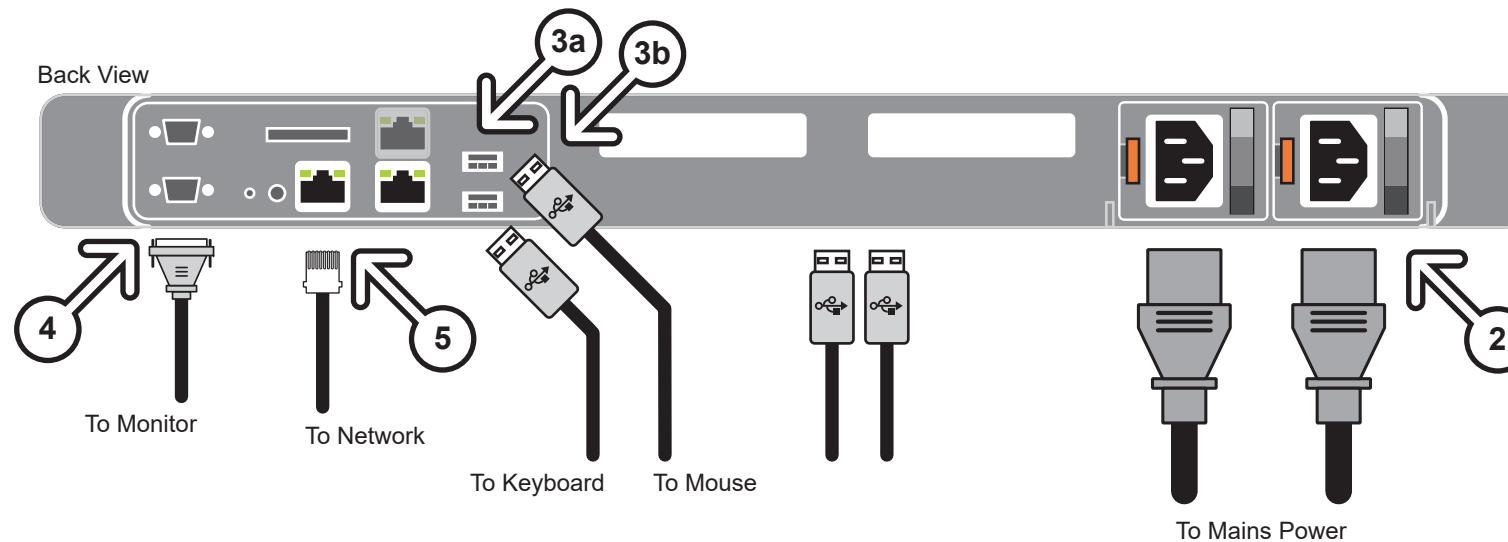
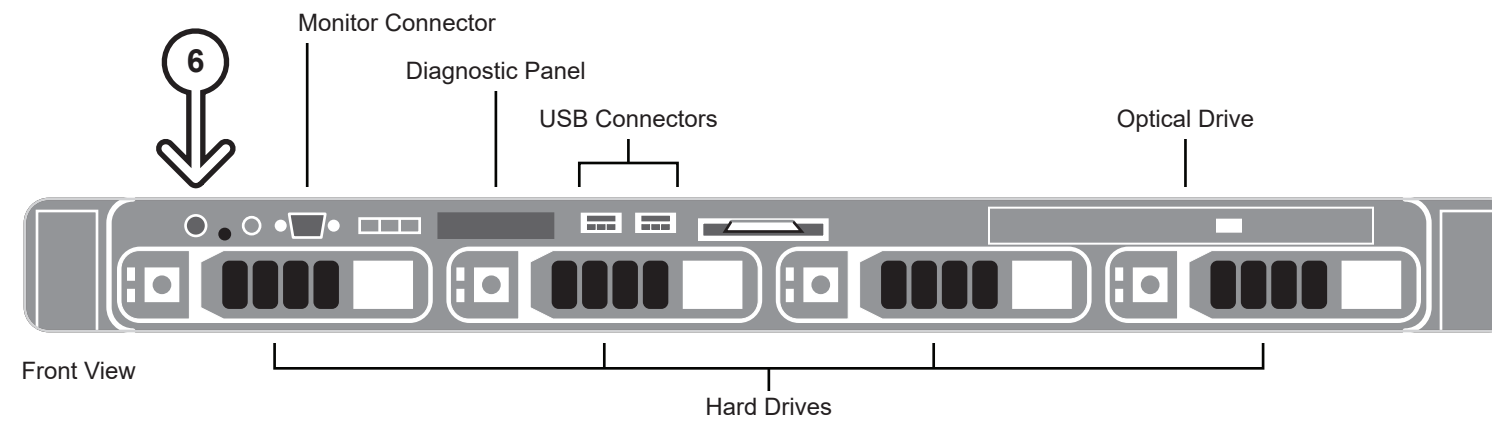
**3b** Plug the supplied **Mouse** into the right **USB** port on the back of the Caprica Server.

***Note:** KVM extenders (customer supplied) are required when the server keyboard, and mouse are located remotely from the rack room.*

#### 4 Monitor

Connect a **Monitor** (customer supplied) to the **VGA** port of the Caprica Server.

***Note:** KVM extenders (customer supplied) are required when the server monitor is located remotely from the rack room.*



### Network Cabling

#### 5 Local Area Network

Plug an **Ethernet** cable from your Local Area Network into the **Ethernet port 1** on the back of the Caprica Server.

***Note:** The server must be connected to the same network as the OverDrive Server, switcher frame, and devices.*

### Startup

#### 6 Power Up

Press the **Power** button on the front of the Caprica Server.

*The server startup process includes drive initialization, which takes a few minutes to complete.*

***Note:** Ross Video recommends shutting down the server only from the operating system.*

#### 7 Log On and Server Start

Use the following account information to log on to the Caprica Server.

**User name:** caprica  
**Password:** <your\_password>

*After you log on, the Caprica Server automatically starts, enabling OverDrive to connect with the switcher frame.*

#### 8 IP Address

Contact your System administrator to set the IP address for **Ethernet** port 1 of your Caprica Server.

***Note:** You will need the IP address of your Caprica Server to configure your OverDrive Server.*

**Need Help?**  
**Technical Support:** (+1) 613 • 652 • 4886  
 techsupport@rossvideo.com