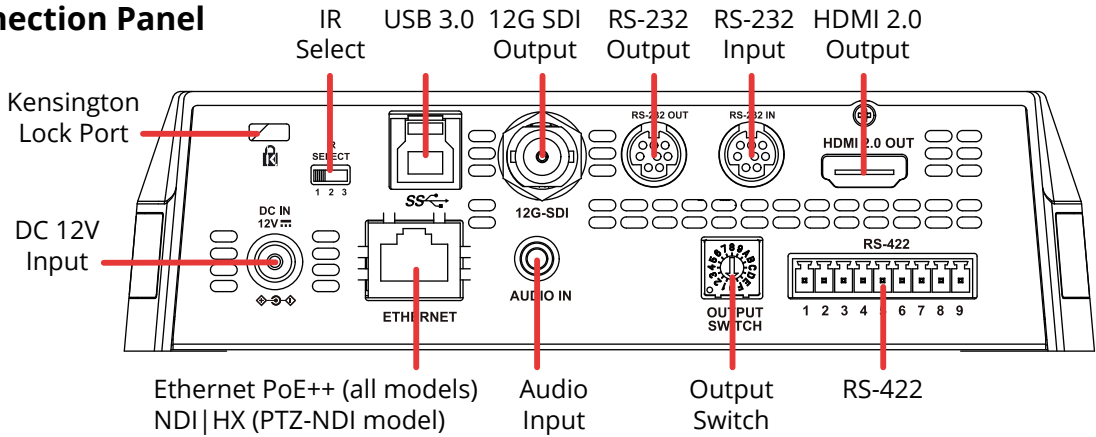


Quick Start Guide for PTZ-12G and PTZ-NDI Cameras

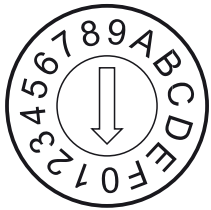
1) Camera Connection Panel



2) Video Output Switch

Rotate the Video Output Switch to select the video output format. The arrow points to the current format. The factory-set default position is 0 : 2160p/59.94.

Tip: Alternatively, you can set the video format using the web interface. For more information, see **Technical Manual for PTZ-12G and PTZ-NDI (5000DR-353-01)**.



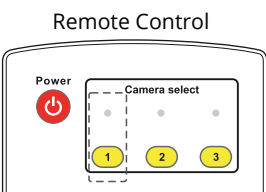
Setting	Output Mode
0	2160p/59.94
1	2160p/50
2	2160p/29.97
3	2160p/25
4	1080p/59.94
5	1080p/50
6	1080p/29.97
7	1080p/25
8	720p/59.94
9	720p/50
A	720p/29.97
B	720p/25
C	1080i/59.94
D	1080i/50
E	Reserved
F	Reserved

3) IR Select Switch

The IR Select Switch assigns a number (1, 2, or 3) to the camera.



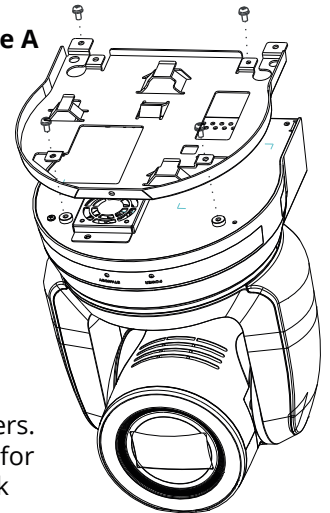
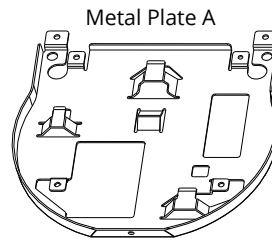
When you later use a remote control, you can select which camera (1, 2, or 3) you want to control.



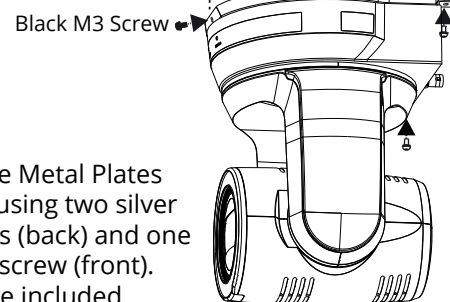
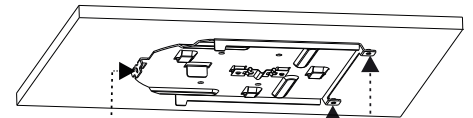
Number	Switch Position
1	
2	
3	

4) Mounting the Camera

- Remove the foot pads (4 pcs) from the bottom of the camera by rotating them counter-clockwise. Store the foot pads for future use.
- Using four silver M3 screws (included), fasten **Metal Plate A** to the base of the camera.



- Attach **Metal Plate B** to the ceiling, using suitable fasteners. **Note:** Allow adequate space for connecting cables to the back of the camera.
- Align the two Metal Plates and slide them together.



- Fasten the Metal Plates together using two silver M3 screws (back) and one black M3 screw (front). Screws are included.

5) Providing Power to the Camera

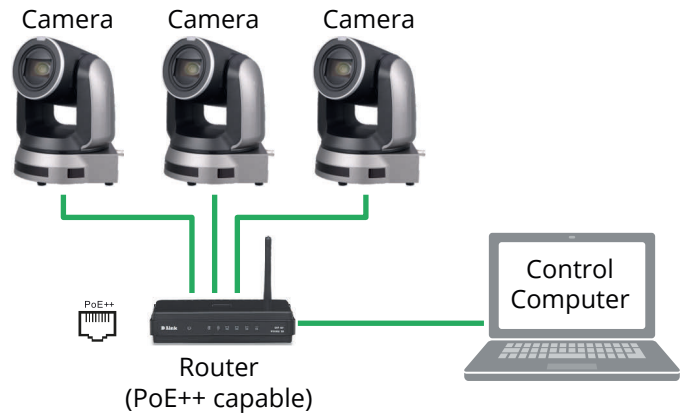
To power the camera, do one of the following:

- Connect the provided 12 VDC power supply unit.
- Using CAT6 network cable, connect the Ethernet port of the camera to a network router or hub that supports Power over Ethernet (PoE). The camera requires PoE++ (IEEE802.3bt).



6) Camera Networking

- Connect all cameras and control systems to the same network.
- Use the remote control to either turn on DHCP or to assign each camera a unique IP address:
 - To turn on DHCP, select **Menu > Ethernet > DHCP > On**.
 - Note:** The network must be configured for DHCP.
 - To assign an IP address, select **Menu > Ethernet > IP Address**, and then specify the IP address.
 - Tip:** The default IP Address is **192.168.100.100**.



7) Access the Camera Web Interface

The web interface enables you to configure camera settings and view camera video, using a web browser.

- On a computer connected to the same network as the camera, launch a web browser.
- In the address bar of the web browser, type the IP address of the camera, and then press **Enter**.

The login page of web interface appears:



Tip: You can use the remote control to view the IP address. Press **Menu > Ethernet > IP Address**.

- Provide the **User Name** and **Password**, and then click the **Login** button. The login page of web interface appears.

Tip: The default **User Name** is **admin**. The default **Password** is **9999**.

Camera Web Interface

