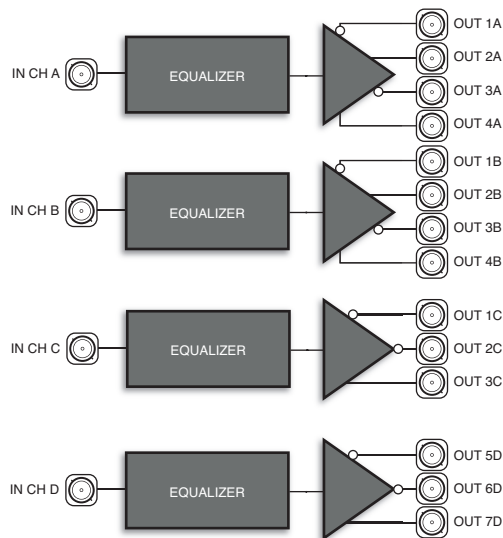


# QEA-8809 HD SD ASI

## Quad High Performance HD / SD Equalizing Distribution Amplifier

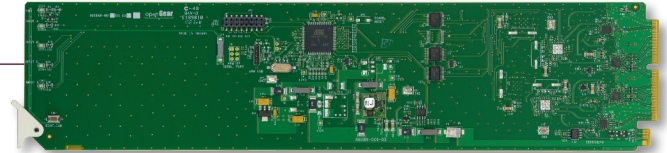
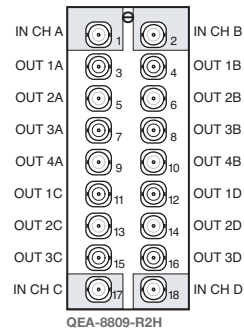
Four channel high density HD / SD equalizing distribution amplifier.



### Ordering Information

**Quad High Performance HD / SD Equalizing DA**  
QEA-8809      Quad HD Equalizing DA

**Rear Module Suffix (ex: [model]-R2)**  
-R2H      HD-BNC Rear Module



The QEA-8809 is a quad channel, HD / SD distribution amplifier, redesigned using the latest technology and optimized to achieve the industry's best EQ performance offering cable lengths up to 200m at HD. Equalization is performed on all common serial digital signals, including HD / SD SDI.

The QEA-8809 utilizes the -R2H rear module comprised of 18 HD-BNCs which offers 2 channels of 1x4 distribution, and 2 channels of 1x3 distribution, making it ideal in space critical environments. This highest density DA from Ross Video allows for up to 40 channels of distribution in a single openGear® frame, using 10 cards.

LED indicators at the front of the module identify the presence of incoming video, and the data rate for each independent channel.

### Key Features

- Dual 1x4 and Dual 1x3, quad channel distribution amplifier
- Equalizes all SDI signals from 143 Mb/s to 1.485 Gb/s
- Input EQ HD - 200m @1.485Gb, SD -500m @270Mb
- Automatic detection of incoming data rate
- -R2H 18 HD-BNC rear module
- 40 channels of distribution in a single frame
- LED indicators for signal presence and data rate for each channel
- Excellent input / output return loss specifications
- Up to 10 QEA-8809 cards in the OG3-FR frames
- 5-year transferable warranty