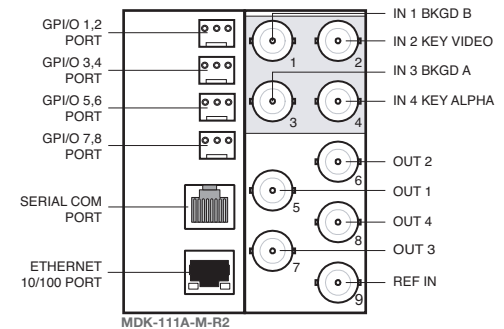
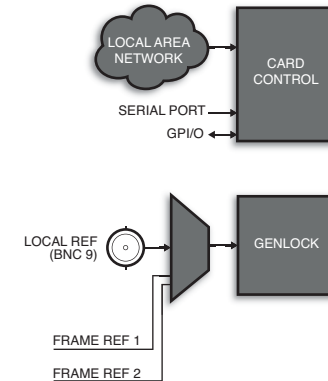
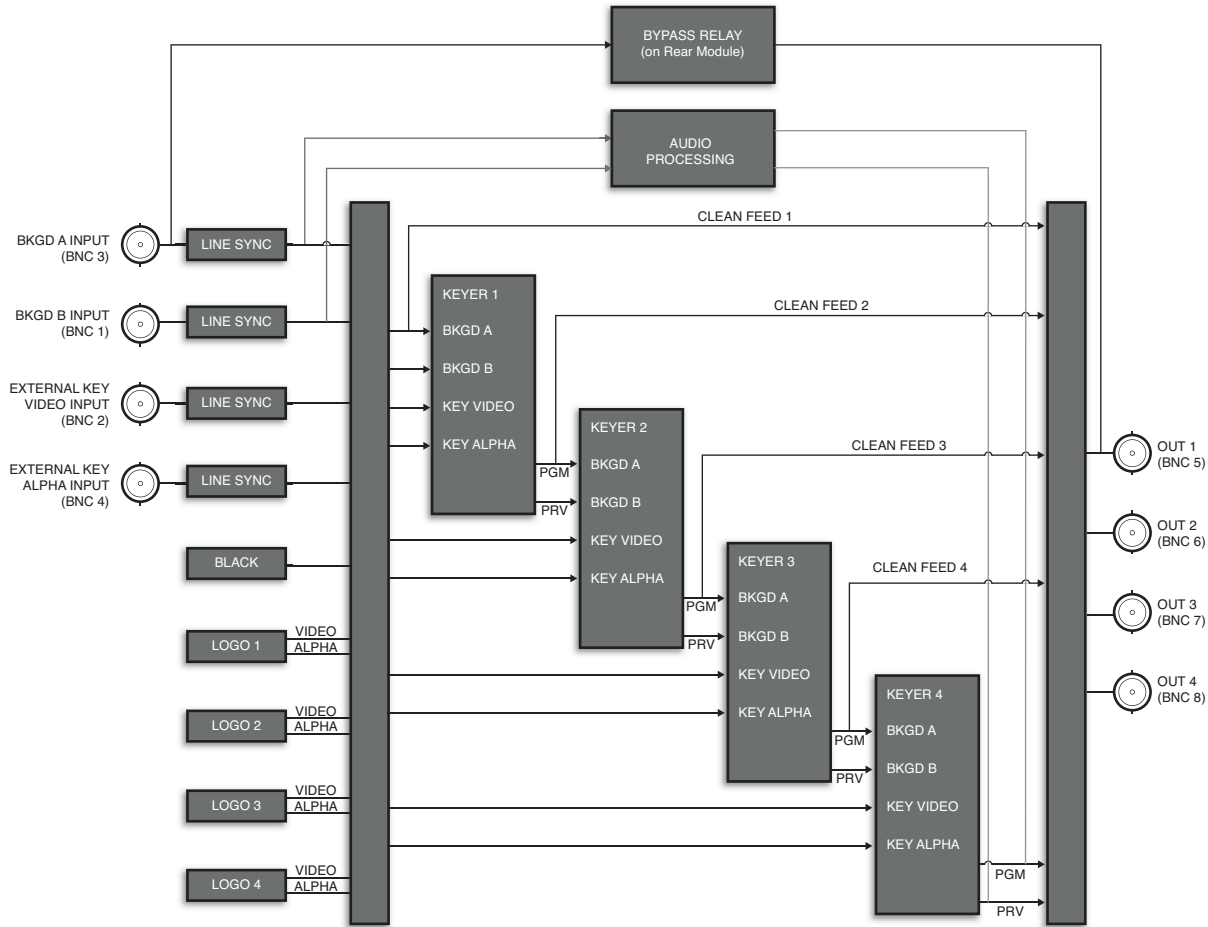


MDK-111A-M HD SD

HD / SD SDI Mixer / Keyer with Internal Logo Insertion

4 keyers with simultaneous background mixing, external keying, 3 internal animated logo keys, fade-to-black – with preview.





Applications

- Animated Channel Branding Inserter
- Rating Inserter
- Mini-Master Control Switcher
- Downstream Keyer / Branding Engine
- Master Control Bypass Mixer
- Branding / Sponsorship Keyer for Stadiums

The MDK-111A-M is the most advanced HD / SD SDI single card mixer / keyer on the market. The multi-keying function allows simultaneous compositing of both an external key source with up to 3 internally generated logo key sources plus background mixing. For example, the MDK-111A-M can key an external character generator like Ross Video's XPression, over the background video and then key up to 3 internally generated animated logos. Transition control to any layer; BKGD, external key, and / or internal keys is independently controllable. The internal key sources can be any size up to full-screen and can be positioned anywhere. This makes the insertion of trouble slides, content rating bugs, station logos and EAS simple and affordable.

The MDK offers 4 configurable outputs with selections for PGM / PREVIEW and CLEAN. The look-ahead PREVIEW is ideal for live productions providing confidence in quality and accuracy of the next scene to go to air.

The MDK-111A-M offers a wide range of control with a total of 8 configurable GPI/O, M2100 serial interface and full DashBoard Control and Monitoring. The flexible control makes automating logo insertion simple anywhere in the program stream.

Built-in bypass relay from BKGD A to PGM protects your air feed when the device is taken off-line to ensure critical program stream content is not lost.

Compact Flash is provided at the card-edge for local near line storage of logo content with on-board, on-line memory for logo playback. The system is delivered with a 2Gb standard for both Compact Flash and on-line memory.

Ordering Information

HD / SD Mixer / Keyer with Internal Logo Insertion

MDK-111A-M HD / SD SDI Mixer / Keyer w/ Internal Logo Insertion

Rear Module Suffix (ex: [model]-R2)

-R2 Rear Module for MDK-111A-M

Key Features

- HD / SD SDI SMPTE 292M, 1.485Gb/s, SMPTE 259M, 270Mb/s
- Supports 1080PsF/24 and 1080PsF/23.98
- 4 keyers: 1 external key / fill, 3 internal animation keyers
- BKGD A and BKGD B inputs with video and audio V-fade and mix with bypass relay for BKGD A to PGM out
- Configurable outputs with Program, Preview, Clean
- Flexible control, 8 GPI/O, M2100 serial
- 2Gb Compact Flash storage for multiple still or animated logos, and full screen images
- RossLinq protocol integration
- Independent transition controls for each keyer
- 5-year transferable warranty
- Power: 18.4 watts