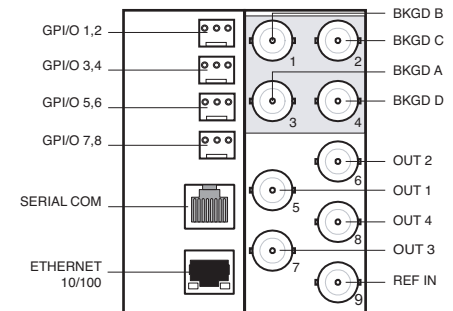
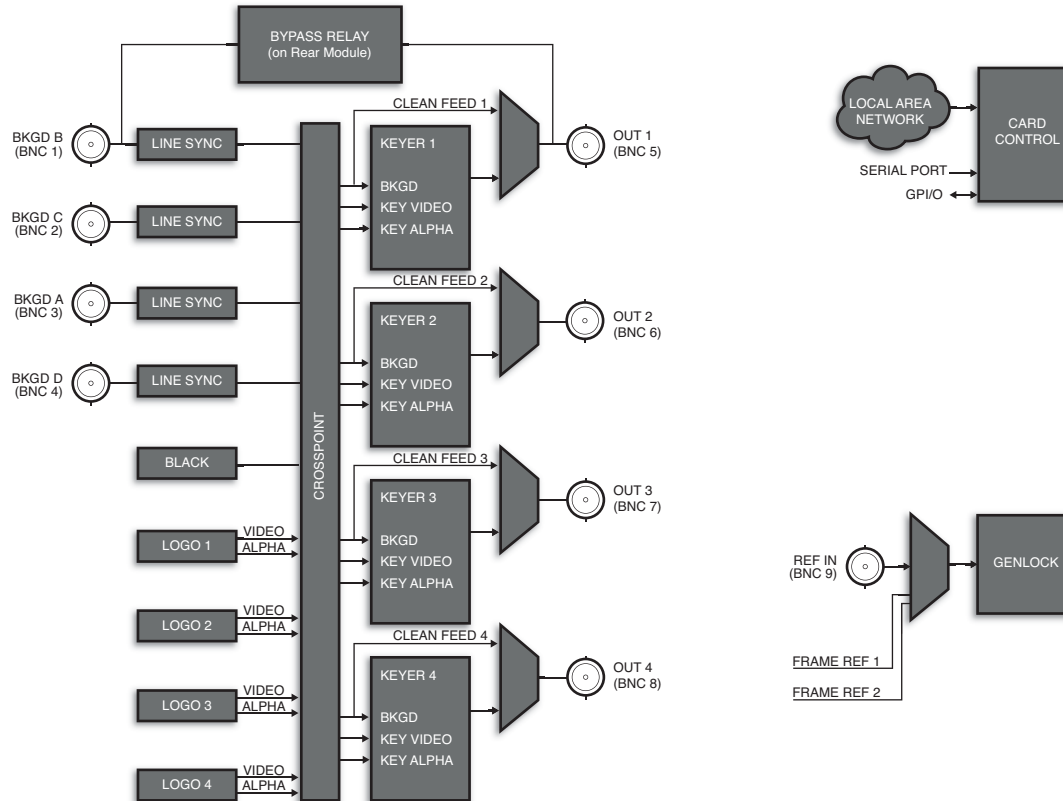


# MDK-111A-K HD SD

## HD / SD Quad Logo Inserter

4 independent input / output streams with 1 dedicated logo inserter per stream.



MDK-111A-K-R2



## Applications

- Animated Channel Branding Inserter
- Rating Inserter
- Downstream Bug Inserter
- Trouble Slide Inserter
- Branding / Sponsorship Keyer for Stadiums

The MDK-111A-K is an advanced high density 4 channel quad logo inserter providing cost-effective channel branding. Each of the 4 input streams can independently have an animated logo inserted. For example, the MDK-111A-K can take 4 different input streams, key a logo on each of the streams, outputting 4 streams each with their own unique branding. Each stream has complete independent transition control over the logo insertion. The internal key sources can be any size up to full-frame and can be positioned anywhere on screen. This makes the insertion of trouble slides, content rating bugs, and station ID logos simple and very cost-effective.

The MDK-111A-K offers a total of 8 configurable GPI/O with full DashBoard Control and Monitoring. The GPI/O interface is ideal for simple key in / key out transitions.

Compact Flash is provided at the card-edge for local near line storage of logo content with scalable on-board, on-line memory for logo playout. The system is delivered with 2Gb standard for both Compact Flash and on-line memory.

The MDK-111A-K supports TGA, PNG, BMP and JPG file formats with a dedicated Ethernet connection for transferring images direct to the MDK-111A-K.

## Key Features

- HD / SD SDI SMPTE 259M, 270Mb/s, SMPTE 292M, 1.485Gb/s
- Supports 1080PsF/24 and 1080PsF/23.98
- 4 HD / SD SDI inputs / outputs
- Cost-effective branding
- 4 internal animation keyers, 1 per stream
- LTC input with time-code burn in
- Flexible control with 8 GPI/O and DashBoard
- On-board Ethernet for logo file transfers
- 2Gb CF storage for multiple still or animated logos, and full screen images
- RossLinq protocol integration
- Independent transition controls for each keyer
- 5-year transferable warranty
- Power: 18.4 watts

## Ordering Information

### HD / SD Quad Logo Inserter

MDK-111A-K      HD / SD SDI Quad Logo Inserter

### Rear Module Suffix (ex: [model]-R2)

-R2                  Rear Module for MDK-111A-K