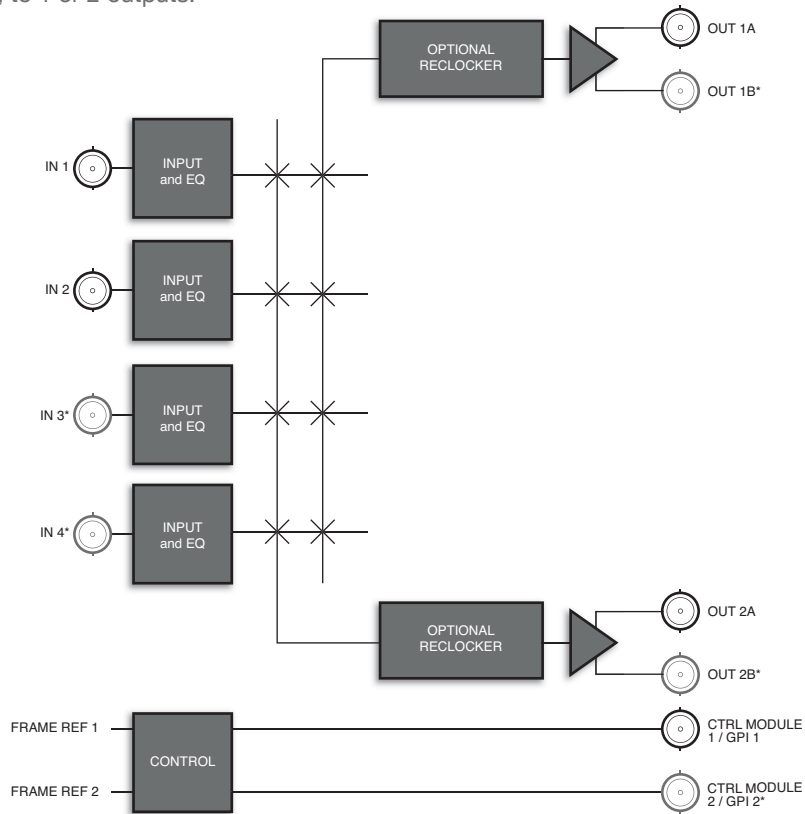


DSS-8224 HD SD

Dual 2x1 or 4x2 HD / SD SDI Switch

A convenient and economical solution for systems requiring switching of up to 4 input video sources, SDI and / or HD SDI, to 1 or 2 outputs.



* Outputs not available in 2x2 mode with -R2S rear module.

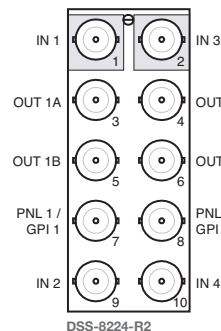
Ordering Information

Dual 2x1 or 4x2 HD / SD SDI Switch

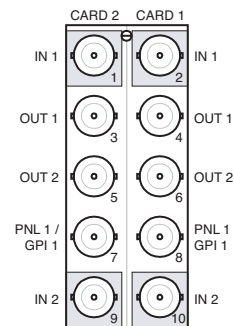
DSS-8224 HD / SD SDI Switch

Rear Module Suffix (ex: [model]-R2)

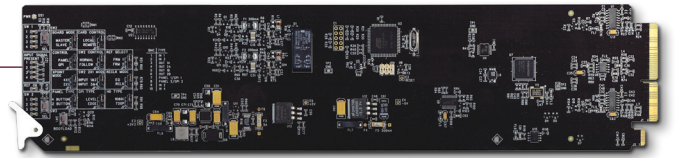
-R2 Rear Module for DSS-8224
-R2S Split Rear Module for 2x DSS-8224



DSS-8224-R2



DSS-8224-R2S



The DSS-8224 can be configured as a pair of independent 2x1 switches or as a pair of 4x1 switches with common inputs. The DSS-8224 accepts common serial digital signals at 143, 270, 360, 540Mb/s and 1.485Gb/s. All switches are performed in the vertical interval, timed to an external reference. Each switch can be controlled locally at the card-edge by an optional RCM-8120 control module or by GPI. DashBoard and optional SNMP monitoring is provided for input presence, reference present and output status.

The DSS-8224 can be combined, on a common control system, with the AVS-8764 to perform multi-level, analog video, AES audio, and HD / SD SDI switching.

The DSS-8224 can be configured in auto-changeover mode. In this mode, the secondary input is selected when the primary is lost or lock cannot be achieved.

Key Features

- Dual 2x1 or 4x2 modes
- 2 switches on a single module
- Switches HD SDI and SD serial digital video (143Mb/s to 1.485Gb/s)
- 4 HD / SD SDI inputs, 2 reclocked outputs
- Configurable to 4x2, 4x1, 2x1, or dual 2x1 switch
- 20 2x1 / 10 4x2 switches in 2RU
- Input selection saved to non-volatile RAM
- Vertical interval switching compliant with SMPTE RP168-2002
- Indicators for input signal presence and reference
- Flexible control, remote RCM-8120 module, GPI, card-edge
- 5-year transferable warranty
- Power: 4.5 watts