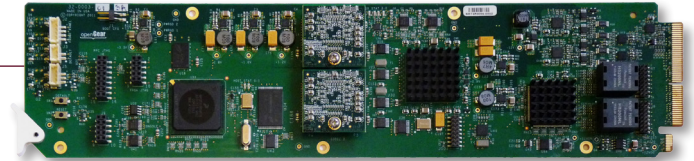


# MSE-8671 / MDE-8672

HD SD AN-VID

## H.264 Encoder

UDP / RTP / RTMP / HTTP Streaming and ASI outputs



The MSE-8671 single channel and the MDE-8672 dual channel H.264 AVC encoders are designed to meet the demands of any environment, providing RTMP and HTTP IP streaming or DVB-ASI outputs.

Video encoding is performed using the latest compression technology offering superior quality at very low bit rates.

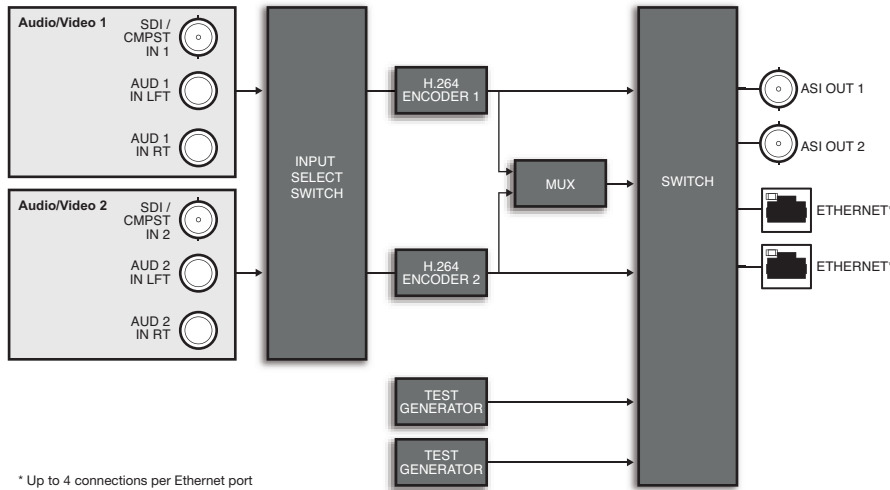
IP streaming is supported with a rich set of video networking protocols including UDP / RTP, and RTMP or HTTP Live Streaming (HLS), which allows connections to popular CDN's for web steaming applications and professional decoders for broadcast applications.

Input video is configurable between HD / SD SDI and analog composite while input audio is configurable between the discrete analog audio inputs and embedded audio with encoding to either MPEG-1 Layer II, or optional AAC. Dolby AC-3 pass through is supported.

Occupies 2 Slots on the openGear® OG3 Frame.

### Key Features

- HD / SD SDI or Composite video inputs, with auto-detection or manual input selection
- 2 channels (optional up to 4) of embedded audio per video input
- 2 analog unbalanced audio inputs per video input
- HTTP Live Streaming (HLS), Direct HTTP Streaming, RTMP and TS over IP outputs
- 2 DVB-ASI outputs
- MPEG-1 Layer II, optional AAC-LC or Dolby AC-3 Pass through support
- SMPTE 2022 Forward Error Correction (FEC) support (Optional)
- IP Based Control and Monitoring via DashBoard
- 5-year transferable warranty



\* Up to 4 connections per Ethernet port

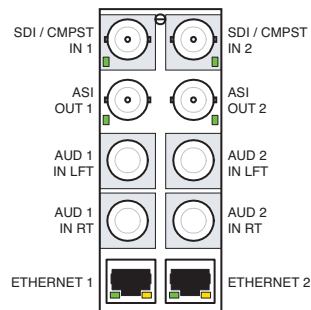
### Ordering Information

#### H.264 Encoder

MSE-8671 Single Channel MPEG 4 Encoder  
MDE-8672 Dual Channel MPEG 4 Encoder

#### Rear Module Suffix (ex: [model]-R2)

-R2 Rear module for both MSE-8671 & MDE-8672



MSE-8671-R2 / MDE-8672-R2