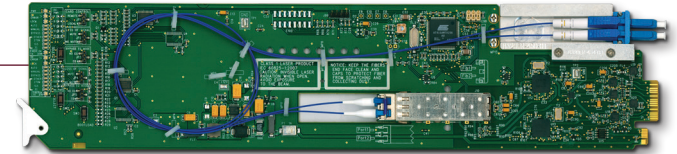


FDR-6603-H 3G HD SD

Dual High Sensitivity Optical to Electrical Converter

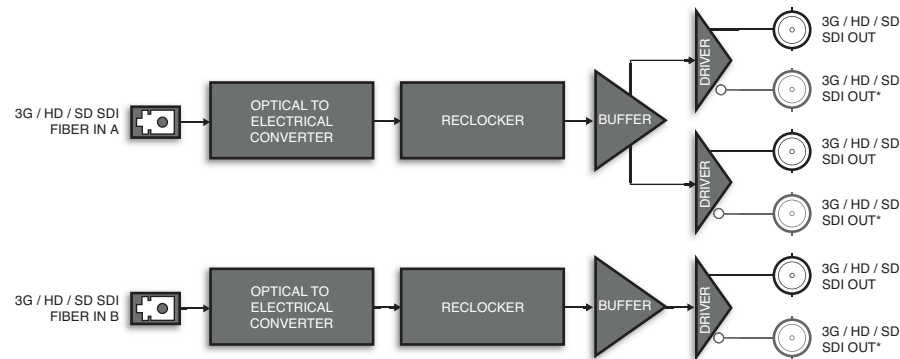
Dual channel High Sensitivity SDI optical to electrical converter supporting data rates from 143Mb/s to 2.97Gb/s.



High sensitivity optical receivers provide an additional 10dB to your link budget over the standard optical receivers.

The FDR-6603-H is a dual high sensitivity fiber optic receiver to serial digital SDI converter providing 2 channels of conversion on a single card supporting serial digital data rates from 143Mb/s up to 2.97Gb/s (1080p). SDI outputs are reclocked providing excellent jitter and return loss specifications. The FDR-6603-H is fully hot-swappable with all active components on the front removable card. No active components are installed on the rear I/O connection module. This design greatly reduces down-time eliminating any need to access the back of the rack frame.

The -R2S high density split rear module can accommodate up to 2 FDR-6603-H cards, maximizing the number of conversion channels in a frame. In this configuration, the OG3-FR supports up to 40 independent channel solutions, providing ultra-high density conversion in a 2RU space.



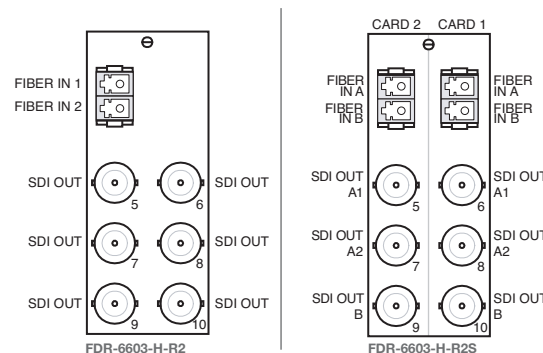
* Only 2 outputs for channel A and 1 output for channel B are available when using the -R2S rear module.

Ordering Information

Dual High Sensitivity Optical to Electrical Converter
FDR-6603-H Dual Optical Receiver

Rear Module Suffix (ex: [model]-R2)

-R2 Rear Module for FDR-6603-H
-R2S Split Rear Module for 2 FDR-6603-H



Key Features

- Optical to Electrical for all SMPTE 424M, SMPTE 259M-C, SMPTE 292M standards
- Supports single-mode fiber
- Hot-swappable from front of frame with no external connect / reconnect required
- Optical input range 1270nm to 1610nm
- Optical input sensitivity -9dBm to -28dBm
- Optical input connection: LC / UPC
- Reclocked SDI outputs
- Reclocking on all outputs at 270Mb/s, 1.483Gb/s, 1.485Gb/s, 2.967Gb/s, 2.970Gb/s
- Alarming for signal presence and input sensitivity
- 5-year transferable warranty
- Power: 5.5 watts