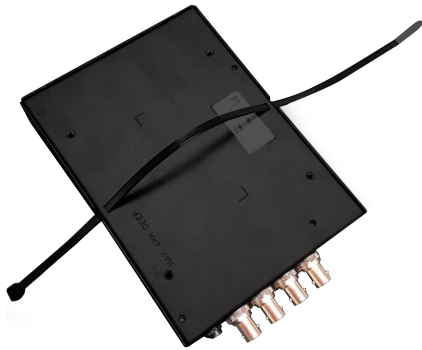




NEWT MOUNTING OPTIONS



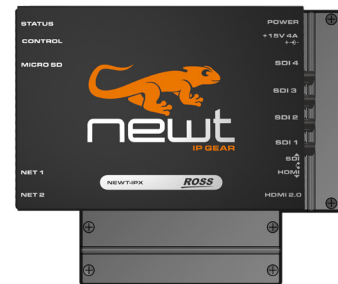
| Tie Wrap



| Mounting Ears (e.g. under desk ect.)



| Rack Shelf



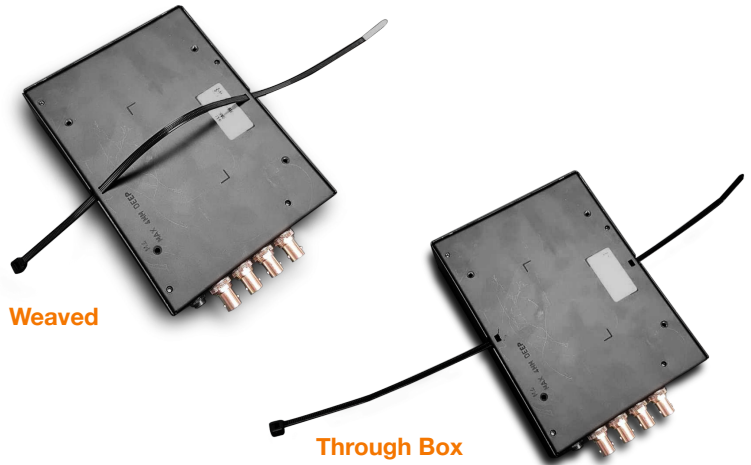
| VESA Brackets (e.g. back of monitor)



TIE WRAP

Newt has 2 tie wrap slots on the center of the underside/back, which allow tie wraps to be weaved in-behind or inserted through the box.

This can be easily accomplished about 5 seconds.
Two separate tie wraps could be used if desired.



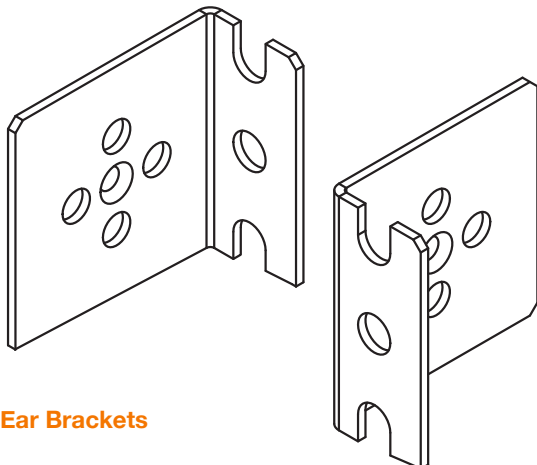
MOUNTING EARS

Mounting ears index into mounting studs, which are embossed onto both sides of Newt.

4 orientations are possible per mounting ear.

Only one M4 screw is needed to fasten each mounting ear securely into position.

4 mounting studs are provided, but only two ears are required to support Newt under a desk or onto a wall, etc.



Ear Brackets

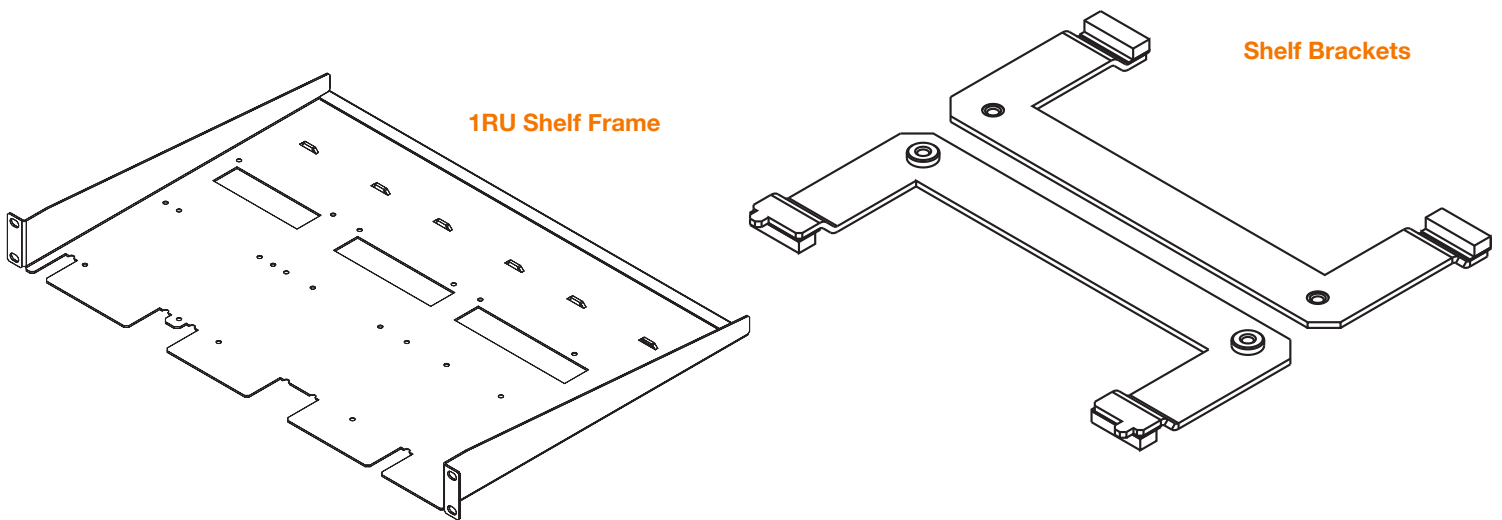




RACK SHELF

Newt was designed for three to fit comfortably on a standard rack shelf occupying 1RU

Contact us for more info or a demo of our rack shelf mounting options.



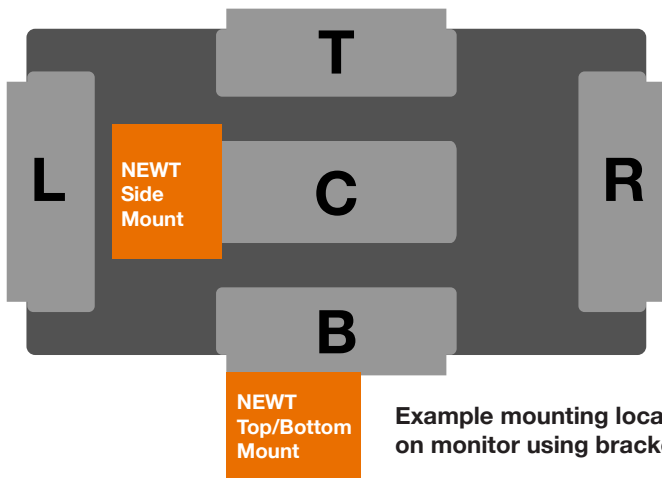
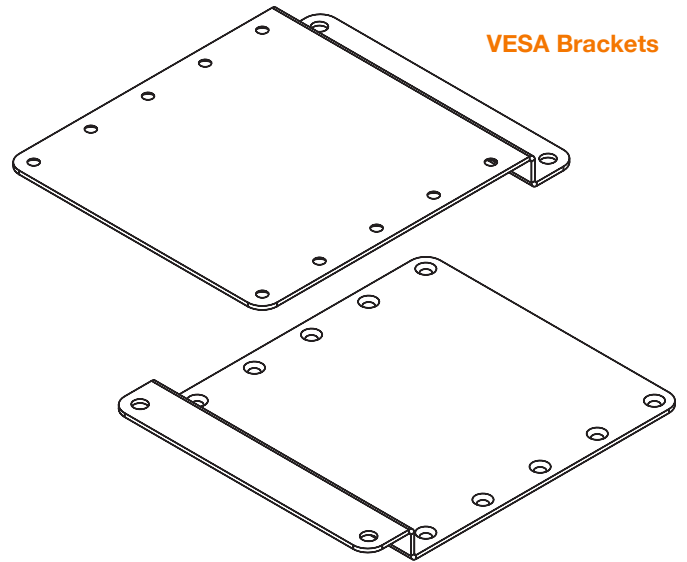


VESA Brackets

VESA BRACKETS

Newt can be mounted onto various positions on the back of a VESA-compliant monitor using the bracket shown here.

It is assumed that a mounting arm holds up the monitor, and the VESA mounting bracket may be installed between the arm and the monitor.



Example mounting locations on monitor using brackets

