

# MB-652

## Monitoring Bridge

### 3G / HD / SD SDI embedded audio monitoring bridge

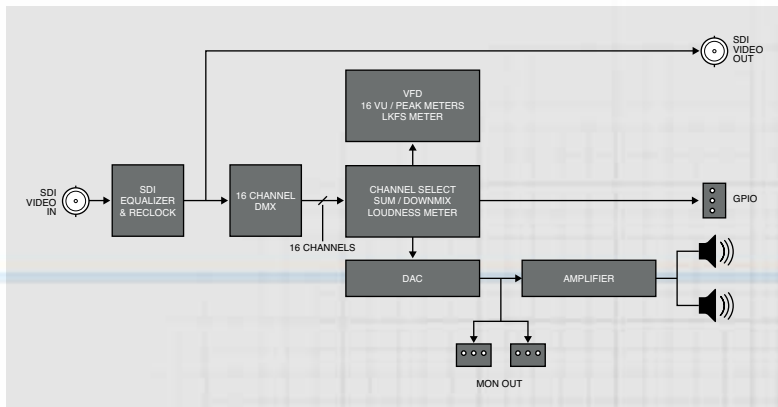
The MB-652 monitoring bridge is a compact, 2RU audio monitoring bridge for embedded audio. Designed to meet the demands of broadcast audio monitoring requirements, the MB-652 is capable of de-embedding up to 16 channels of audio from an incoming SDI signal. The audio monitoring bridge provides both visual and aural monitoring with built-in front panel display and speakers.

16 digital VU/PPM meters monitor all 16 channels of embedded audio, while an intuitive control surface allows for easy channel source and mode selection for the built-in speakers. A meter and numerical display provides loudness measurements according to ITU1770/1771 LKFS. Additional information such as true peak, input signal type and Audio Group Presence are also displayed on screen.

High quality, full-range speakers, along with a high performance class D stereo amplifier, offer excellent sound quality suitable for any monitoring environment. The front panel also includes a volume control and a 1/4 inch headphone jack. The rear of the MB-652 provides a single SDI input with reclocked SDI output and 2 channels of analog audio outputs.

#### FEATURES

- 3G / HD / SD SDI input with integrated 16 channel de-embedder
- Monitoring of up to 16 channels of embedded audio
- Reclocked SDI output
- High Power Class D Stereo Audio Amplifier
- Onboard 5.1 Surround sound Lt/Rt downmixer
- True Peak VU or LKFS Loudness level display, with full 16 channel monitoring display
- Redundant Power Supply Option
- Headphone & Analog Audio Outputs
- Easy audio source and mode selection
- Ethernet connection to DashBoard Control System for monitoring, control and software upgrades
- 1-year transferable warranty



#### ORDERING INFORMATION

Model #	Description
MB-652	2RU Audio Monitoring Bridge
PS-MB-650	Redundant or Spare Power Supply for MB-65x Series

